

4

3

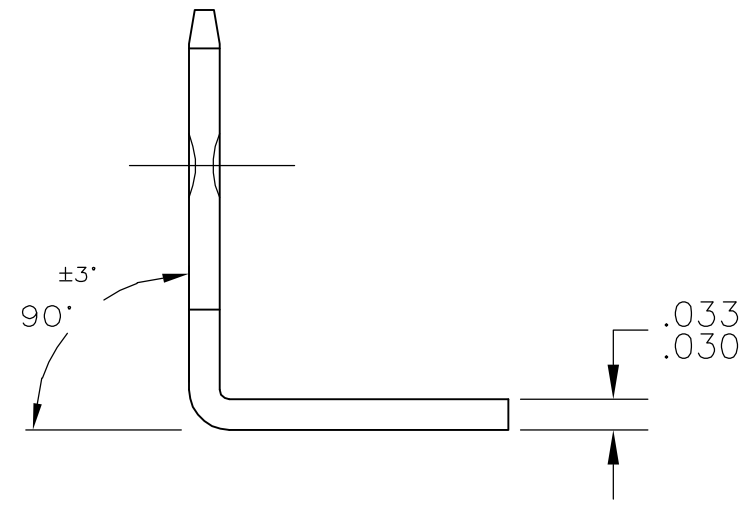
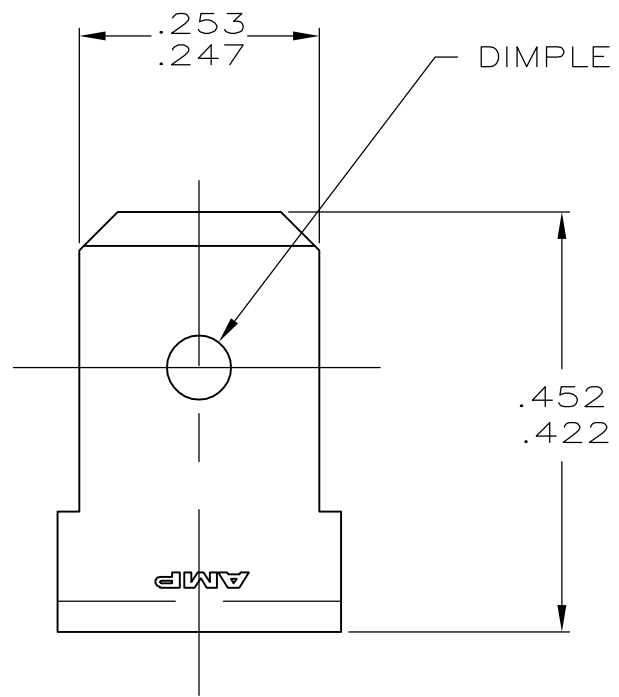
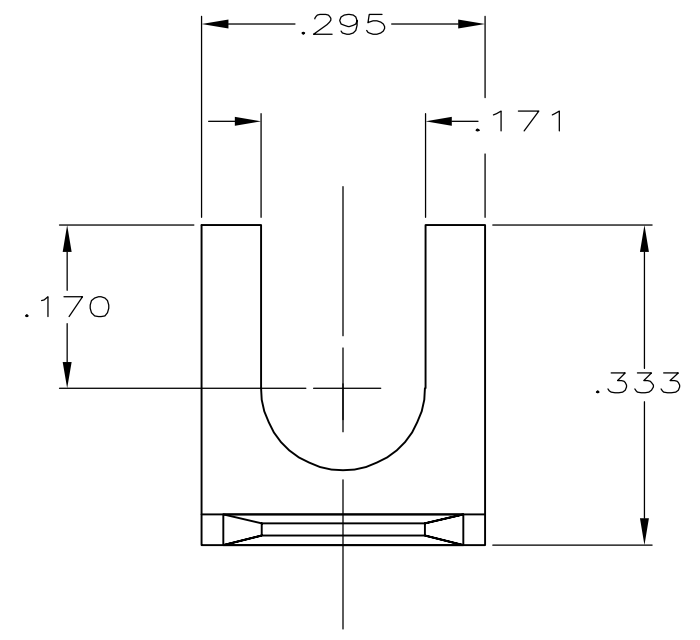
2

1

THIS DRAWING IS UNPUBLISHED. RELEASED FOR PUBLICATION
 © COPYRIGHT - BY TYCO ELECTRONICS CORPORATION. ALL RIGHTS RESERVED.

LOC	DIST	REVISIONS			
P	LTR	DESCRIPTION	DATE	DWN	APVD
AF	50	J	REV PER ECR-05-017287	10APR06	HMR JR

1 SUPPLIED IN LOOSE PIECE.



62166-1
PART NO.

THIS DRAWING IS A CONTROLLED DOCUMENT.		DWN JR RUTH 5/13/98	Tyco Electronics Corporation Harrisburg, PA 17105-3608				
DIMENSIONS: INCHES		CHK MS FEHER 5/13/98					
TOLERANCES UNLESS OTHERWISE SPECIFIED:		APVD J WORMAN 5/13/98	NAME				
		PRODUCT SPEC	TAB, FASTON, .250 SERIES				
MATERIAL 082 BRASS		FINISH -	APPLICATION SPEC	SIZE A3	CAGE CODE 00779	DRAWING NO C-62166	RESTRICTED TO -
CUSTOMER DRAWING			WEIGHT -	SCALE 5:1	SHEET 1 OF 1	REV J	