

DIMENSIONING AND TOLERANCING PER ASME Y14.5M (ISO STANDARDS)
 THIS DRAWING IS A CONTROLLED DOCUMENT.
 THIS INFORMATION IS CONFIDENTIAL AND PROPRIETARY TO TE CONNECTIVITY. IT IS TO BE KEPT CONFIDENTIAL AND PROPRIETARY AND NOT TO BE DISCLOSED TO ANY OTHER PARTY WITHOUT THE WRITTEN AUTHORIZATION OF TE CONNECTIVITY.
 DRAWING NO. 1426568

PART NUMBER	REV	FIRST USED	TERMINATOR	FEED TYPE	DESCRIPTION
1426568-1	B	-	LEADMAKER	MECH POST FEED	CUTS CARRIER
1426568-2	B	-	BENCH	MECH PRE FEED	CUTS CARRIER
1426568-6	B	-	LEADMAKER	MECH POST FEED	CONTINUOUS CARRIER
7-1426568-1	B	-	LEADMAKER	MECH POST FEED	-1 AND SPARE PARTS
7-1426568-2	B	-	BENCH	MECH PRE FEED	-2 AND SPARE PARTS
7-1426568-6	B	-	LEADMAKER	MECH POST FEED	-6 AND SPARE PARTS
7-1426568-7	A	-	-	-	SPARE PARTS KIT

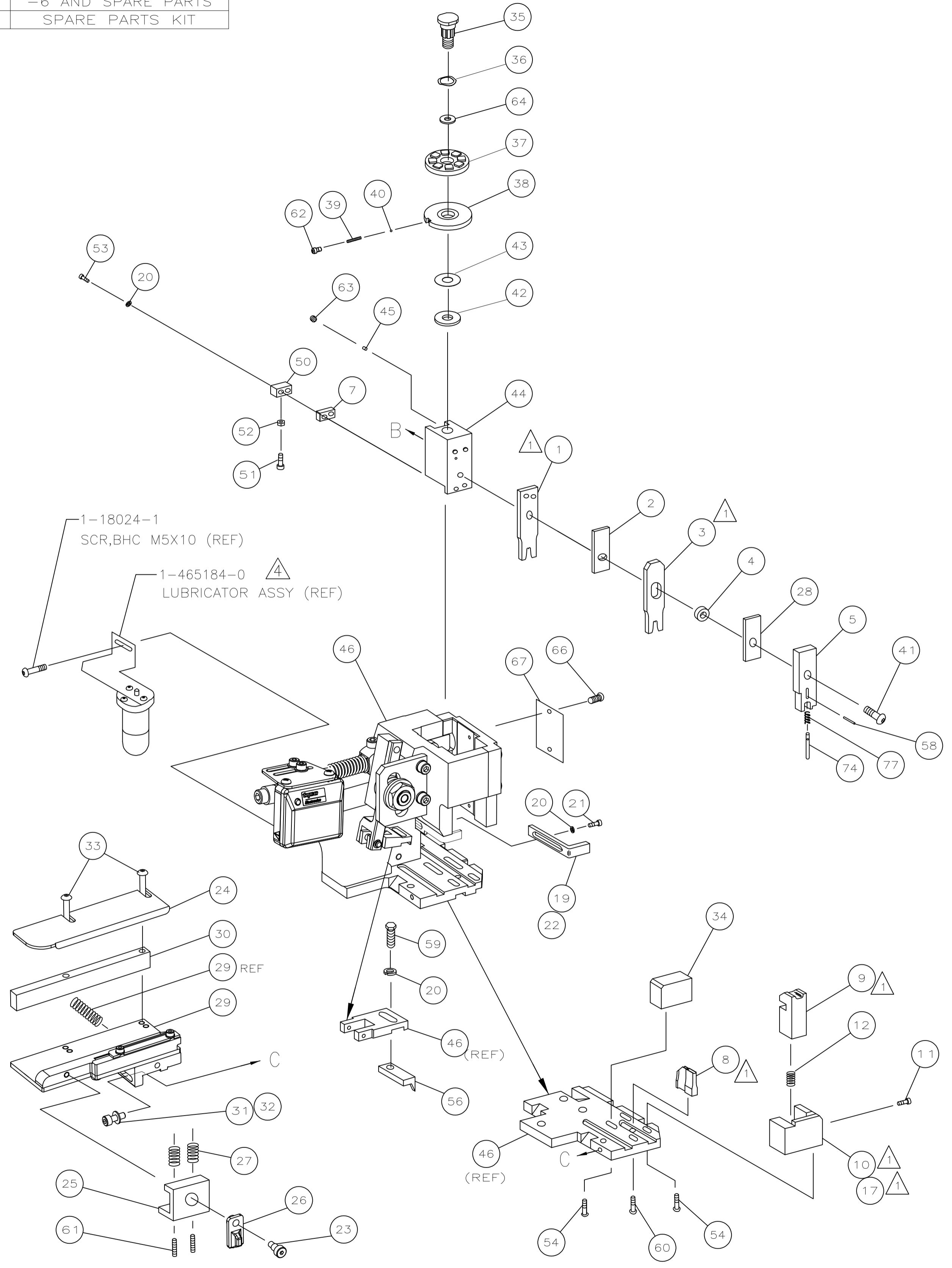
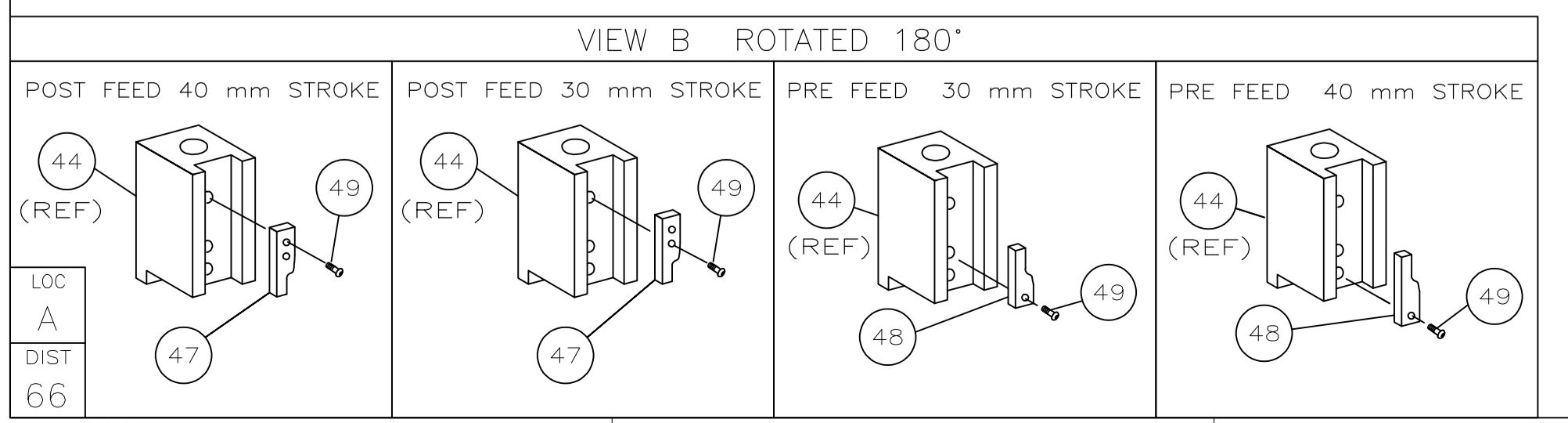
CRIMP DATA AMP TERMINAL AMP CRIMP SPECS			
TERMINAL NAME: SUPER SEAL CONNECTOR RECEPTACLE			
CRIMP	SIZE	TYPE	RANGE
WIRE	1.85 [.073 IN]	F	0.75mm ² - 1.25mm ²
INSUL	2.10 [.083 IN]	0	1.60-2.20 [.063-.087 IN]
WIRE STRIP LENGTH	APPL INSTRUCTION		
3.50-4.50 [.138-.177 IN]	408-8322		
TERMINAL APPL SPEC	114-78011	FEED	8.00 [.315 IN]

TERMINALS APPLIED			
3-1447221-3	-	-	-
-	-	-	-
-	-	-	-
-	-	-	-
-	-	-	-
-	-	-	-
-	-	-	-
-	-	-	-
-	-	-	-
-	-	-	-

WIRE SIZE mm ² AWG	CRIMP HEIGHT	PIN PN AND LENGTH [IN]
1.25mm ²	1.20 ±0.05 [.047 ±.002 IN]	3-354779-0 [.3140]
1.00mm ²	1.10 ±0.05 [.043 ±.002 IN]	3-354779-8 [.3180]
0.85mm ²	1.05 ±0.05 [.041 ±.002 IN]	4-354779-2 [.3200]
0.75mm ²	1.00 ±0.05 [.039 ±.002 IN]	4-354779-7 [.3225]
-	-	-
-	-	-
-	-	-
-	-	-
-	-	-
-	-	-
-	-	-
-	-	-
-	-	-
-	-	-
-	-	-
-	-	-
-	-	-
-	-	-
-	-	-
-	-	-
-	-	-

SET UP GAGE 458637-3	LAYOUT L1528198
----------------------	-----------------

- RECOMMENDED SPARE PARTS.
- 2. GREASE RAM, CAM, CAM FOLLOWER AND FEED ROD LIGHTLY.
- 3. LUBRICATE DAILY PER THE APPLICATOR INSTRUCTION SHEET SUPPLIED WITH THE APPLICATOR.
- CERTAIN TERMINALS REQUIRE LUBRICATION. REFER TO THE APPLICATOR INSTRUCTION SHEET FOR MORE INFORMATION.



QTY REQD PER ASSY	PART NO	DESCRIPTION	ITEM NO					
-	1	1	1	1	1	5-547505-2	SPRING, HOLD DOWN	77
-	1	1	1	1	1	854769-4	DEPRESSOR, PIN	74
-	1	1	1	1	1	1426568	PRINT, APPLICATOR LOG SHEET	72
-	1	1	1	1	1	1338705-1	DOCUMENTATION PACKAGE	71
-	-	-	-	-	-	-	-	69
-	-	-	-	-	-	-	-	68
-	1	1	1	1	1	461264-1	PLATE, IDENTIFICATION	67
-	2	2	2	2	2	21017-2	SCR,DRIVE(#2x.19)ID PLATE	66
-	-	-	-	-	-	-	-	65
-	1	1	1	1	1	986950-1	WASHER, FLAT PRECISION	64
-	1	1	1	1	1	3-18031-0	SCR,SKT SET(M6X6)RAM	63
-	1	1	1	1	1	18023-9	SCR,SHC(M4X6)INS DISC	62
-	2	2	2	2	2	2-18032-5	SCR,SKT SET (M5X20)DRAG	61
-	1	1	1	1	1	18024-7	SCR,BHC(M4X10)ANVIL	60
-	1	1	1	1	1	5-18022-2	SCR,HEX(M4X8)FEED FINGER	59
-	1	1	1	1	1	21028-2	PIN, SPRING	58
-	-	-	-	-	-	-	-	57
-	1	1	1	1	1	1338685-1	PAWL, FEED	56
-	-	-	-	-	-	-	-	55
-	4	4	4	4	4	18024-8	SCR,BHC(M4x12)SHEAR HOLDER	54
-	2	2	2	2	2	1-18023-3	SCR,SHC(M4X16)TERM HLD DWN	53
-	1	1	1	1	1	18030-1	NUT,HEX(M3)HOLD DOWN	52
-	1	1	1	1	1	811242-5	BUMPER, HOLDDOWN	51
-	1	1	1	1	1	690753-2	SPACER, TONKER	50
-	1	1	1	1	1	18024-3	SCR,BHC(M3X10)CAM	49
-	-	-	-	-	-	-	-	48
-	1	1	1	1	1	1338675-1	CAM, PRE FEED 30 & 40 mm ST	48
-	1	1	1	1	1	1338676-1	CAM, POST FEED 30 & 40 mm ST	47
-	1	1	1	1	1	1320999-3	APPLICATOR BASIC SUBASSY	46
-	1	1	1	1	1	690191-1	PLUG, NYLON	45
-	1	1	1	1	1	1338660-1	RAM	44
-	1	1	1	1	1	690125-1	WASHER, LAMINATED	43
-	1	1	1	1	1	690124-1	WASHER, RAM	42
-	1	1	1	1	1	2-18024-6	SCR,BHC(M8X25)RAM	41
-	1	1	1	1	1	23241-1	BALL, STEEL	40
-	1	1	1	1	1	2-22278-7	SPRING, COMPRESSION	39
-	1	1	1	1	1	1320922-1	DISC, INSULATION	38
-	1	1	1	1	1	354777-1	WIRE DISC, PLASTIC	37
-	1	1	1	1	1	22480-5	WASHER, SPRING	36
-	1	1	1	1	1	690212-1	POST, RAM	35
-	1	1	1	1	1	1424186-1	SUPPORT, TERMINAL	34
-	2	2	2	2	2	1-18024-0	SCR,BHC(M4X20)STRIP GUIDE	33
-	1	1	1	1	1	18027-2	WASHER, FLAT(M4)	32
-	1	1	1	1	1	1-18023-2	SCR,SKT CAP(M4X12)MOUNT BLOCK	31
-	1	1	1	1	1	1320908-4	SPACER, STRIP GUIDE	30
-	1	1	1	1	1	1633073-1	STRIP GUIDE PLATE ASSY	29
-	1	1	1	1	1	455888-4	SPACER, FRONT SHEAR DEP	28
-	2	2	2	2	2	1-22284-0	SPRING, DRAG	27
-	1	1	1	1	1	356835-1	LEVER, DRAG RELEASE	26
-	1	1	1	1	1	240792-1	DRAG, TERMINAL	25
-	1	1	1	1	1	1320928-1	PLATE, STRIP GUIDE	24
-	1	1	1	1	1	980371-4	SCR,SHC SHLD	23
-	1	1	1	1	1	690472-2	STRIPPER	22
-	1	1	1	1	1	1-18023-1	SCR,SHC(M4X10)STRIPPER	21
-	4	4	4	4	4	18025-2	WASHER,LOCK(M4)STRIPPER	20
-	-	-	-	-	-	-	-	19
-	-	-	-	-	-	-	-	18
-	1	-	-	1	-	1338684-1	HOLDER, SHEAR, FRONT (NO-CUT)	17
-	-	-	-	-	-	-	-	16
-	-	-	-	-	-	-	-	15
-	-	-	-	-	-	-	-	14
-	-	-	-	-	-	-	-	13
-	1	1	1	1	1	3-22280-3	SPRING, SHEAR	12
-	1	1	1	1	1	356885-4	STOP, SHEAR	11
-	-	1	1	-	1	1320921-1	HOLDER, SHEAR, FRONT (CUT)	10
-	1	1	1	1	1	462006-1	SHEAR, FLOAT (FRONT)	9
-	1	2	2	2	1	3-1333225-7	ANVIL	8
-	1	1	1	1	1	240641-4	SPACER, DEPRESSOR (REAR)	7
-	-	-	-	-	-	-	-	6
-	1	1	1	1	1	854772-1	DEPRESSOR, SHEAR (FRONT)	5
-	1	1	1	1	1	4-238011-0	SPACER, BLOCK CRIMPER	4
-	1	2	2	2	1	409415-8	CRIMPER, INSULATION	3
-	1	1	1	1	1	455888-5	SPACER, CRIMPER	2
-	1	2	2	2	1	2-409414-1	CRIMPER, WIRE	1
-	-	-	-	-	-	-	-	1

DIMENSIONS: INCHES		TOLERANCES UNLESS OTHERWISE SPECIFIED:	
0 PLC	±.010	1 PLC	±.005
1 PLC	±.005	2 PLC	±.002
2 PLC	±.002	3 PLC	±.001
3 PLC	±.001	4 PLC	±.0005
4 PLC	±.0005		

DWG: L.LOTHOUSE
 CHK: -
 APVD: F.BACKHURST
 NAME: -
 SCALE: - SIZE: A1 DRAWING NO: 1426568 SHEET: 1 of 1 REV: B
 SIDE FEED HD-1 APPLICATOR

CUSTOMER ACCESSIBLE PRODUCTION DRAWING