

4

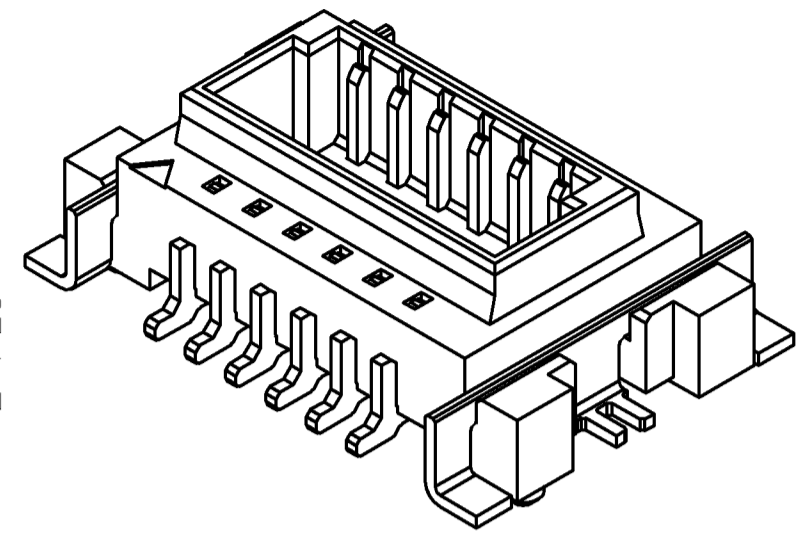
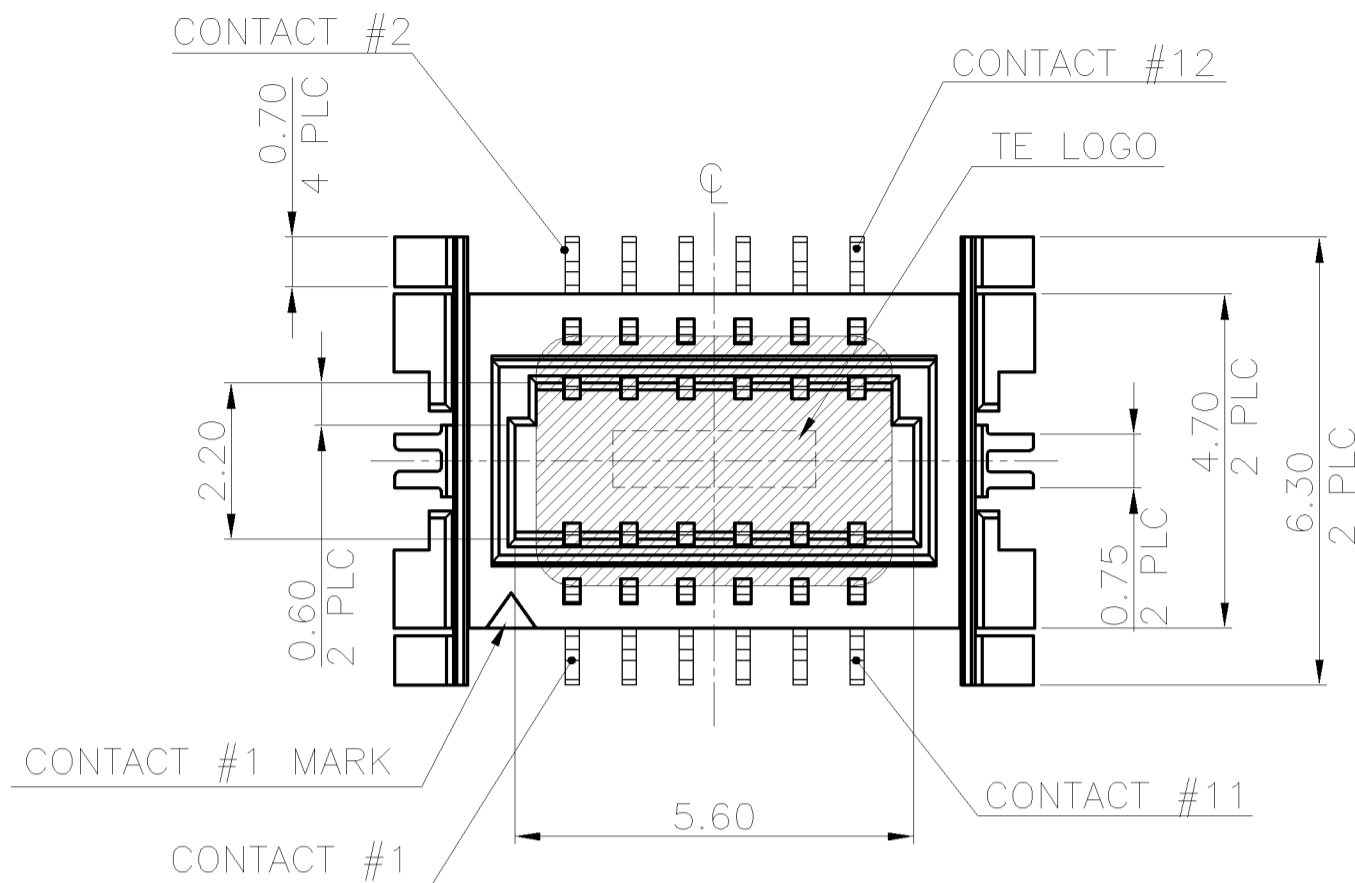
3

2

1

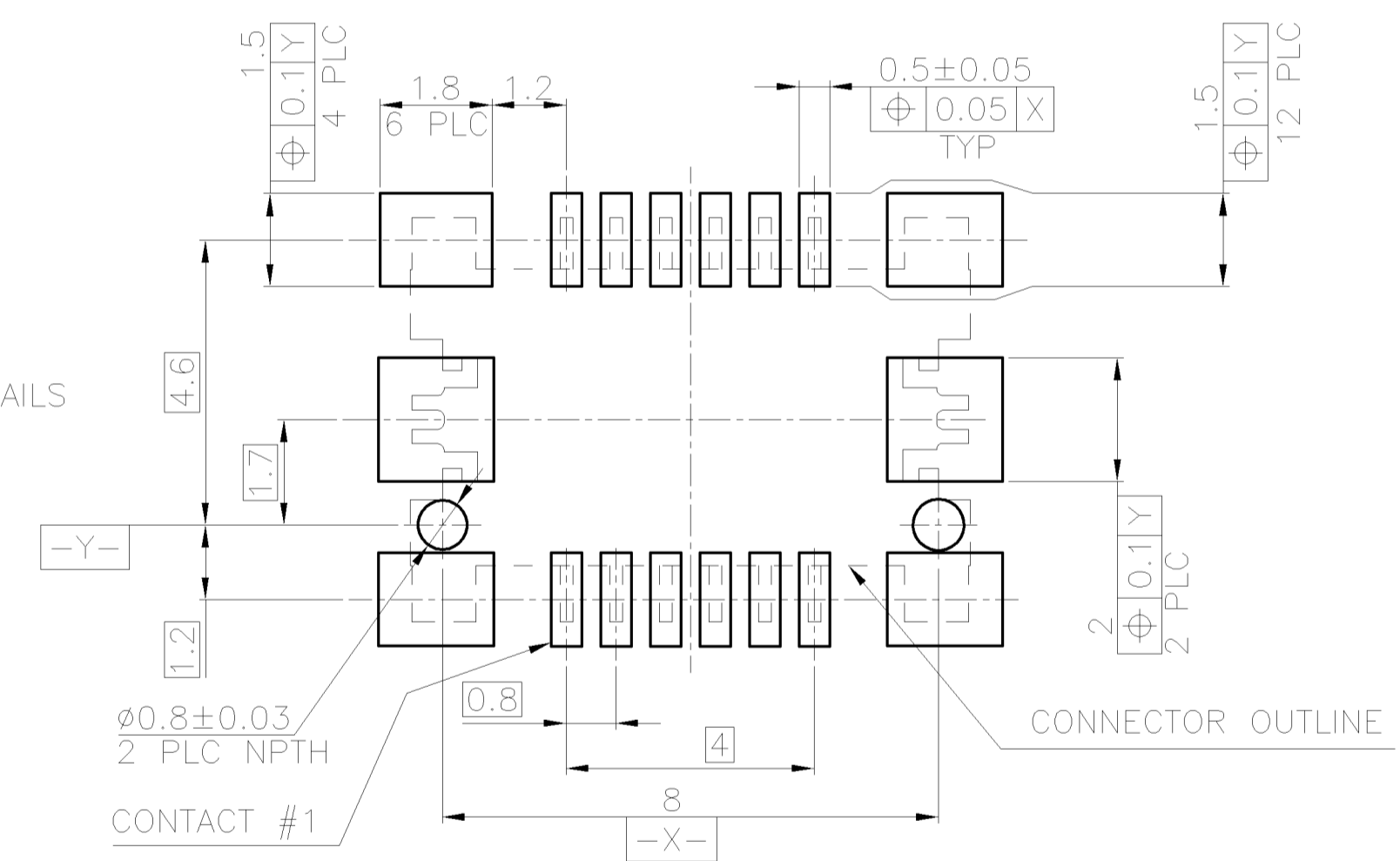
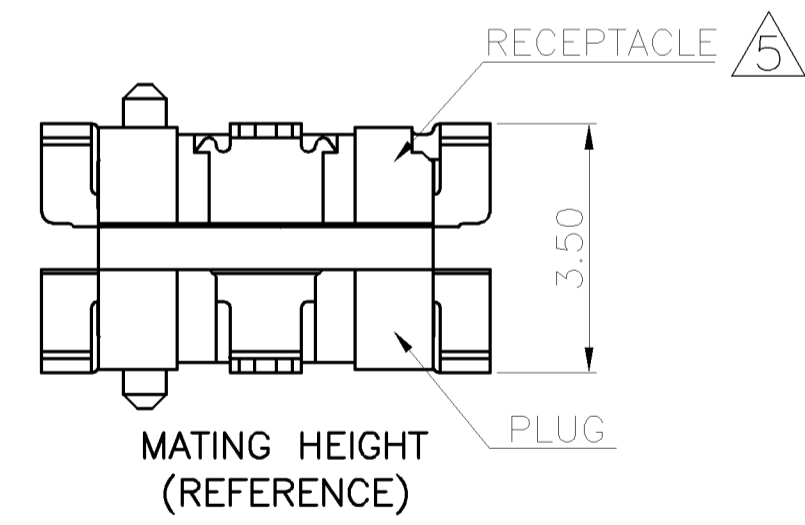
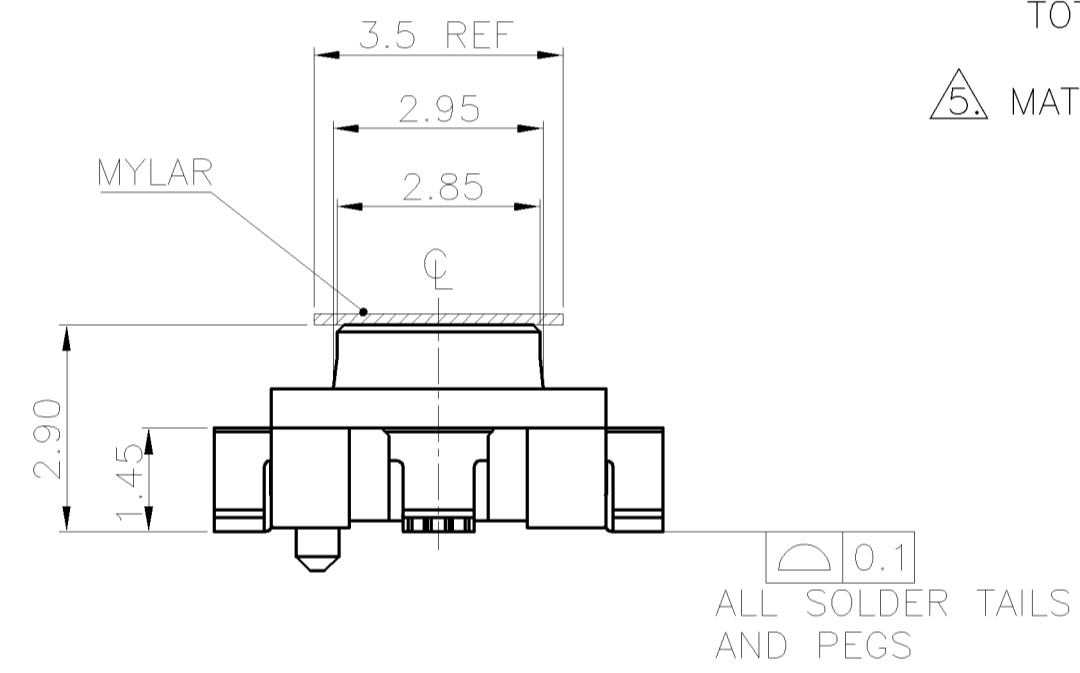
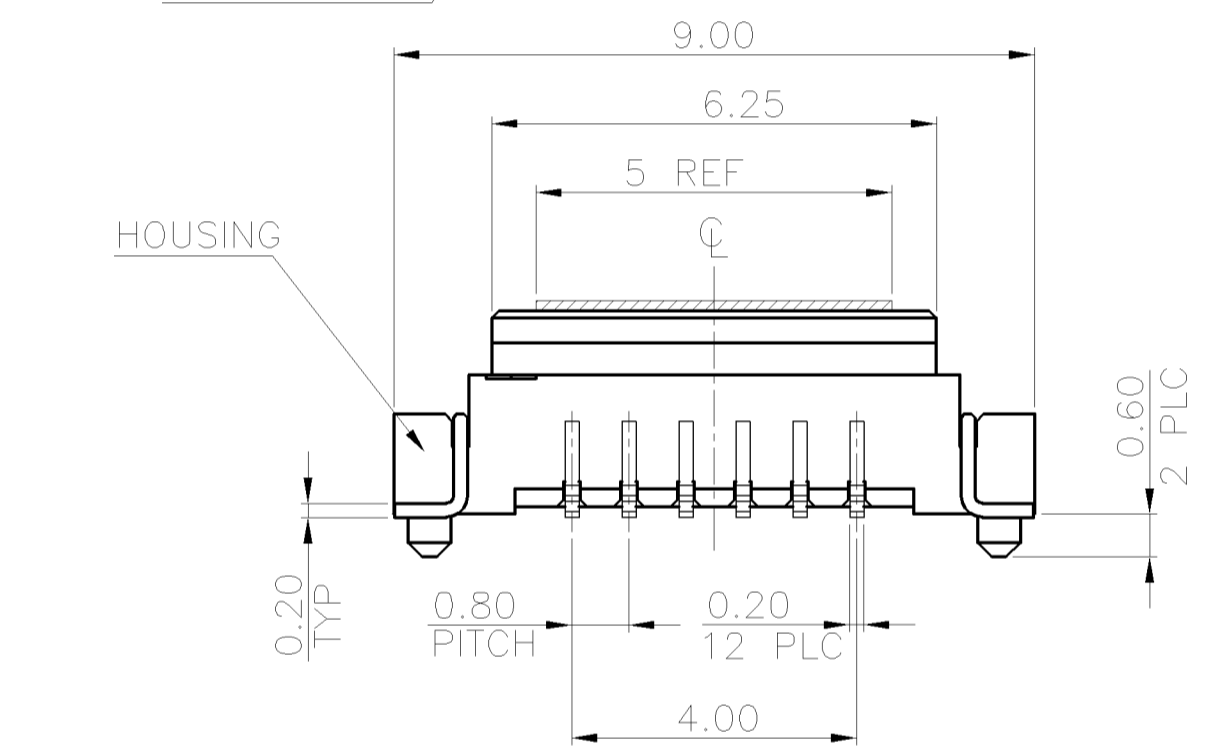
THIS DRAWING IS UNPUBLISHED. RELEASED FOR PUBLICATION
 © COPYRIGHT 2011 BY TYCO ELECTRONICS CORPORATION. ALL RIGHTS RESERVED.

LOC		DIST		REVISIONS					
DW				P	LTR	DESCRIPTION	DATE	DWN	APVD
				A		FIRST RELEASED	12JAN11	AW	WK

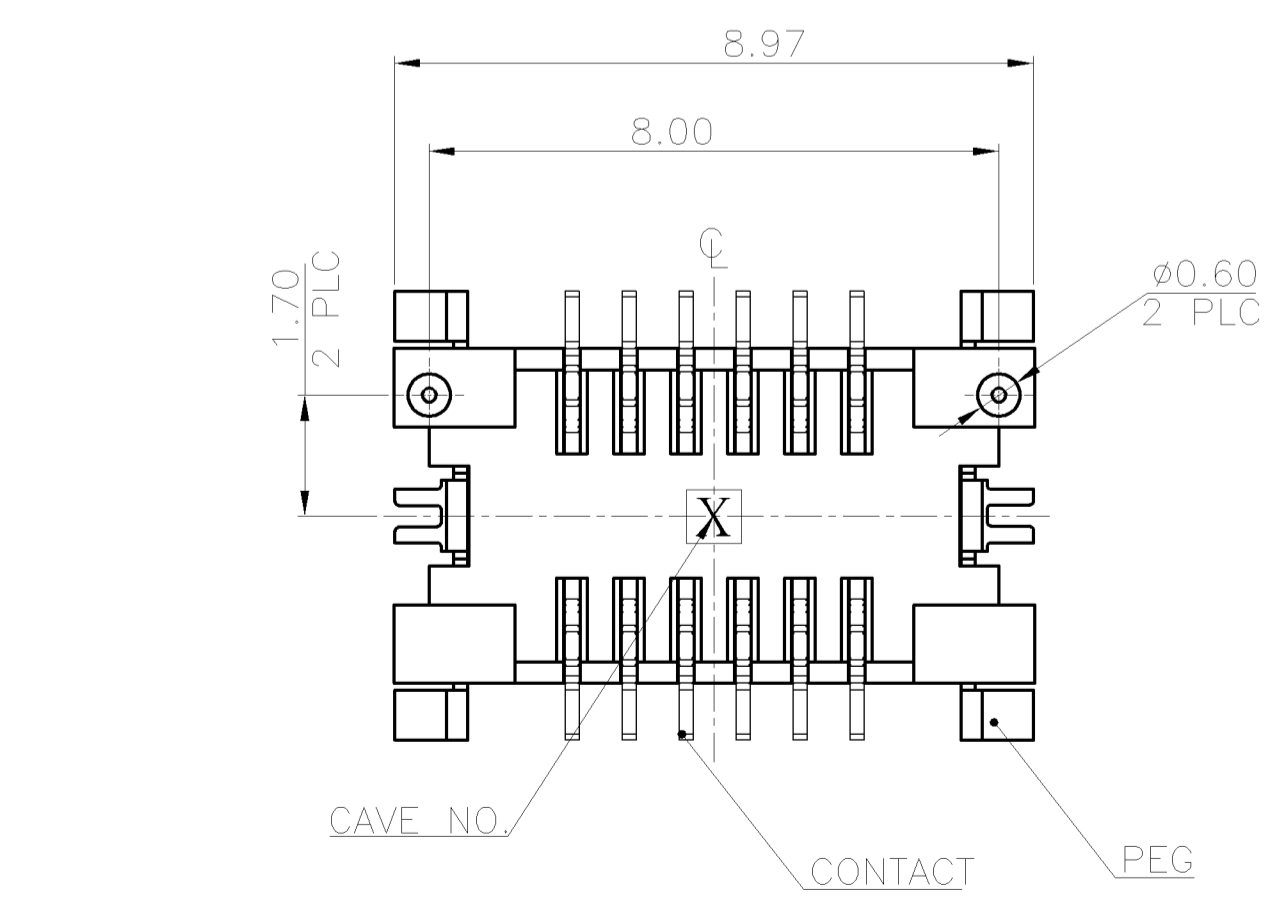


- NOTES:
- MATERIAL:
 HOUSING: PA6T WITH 30% GF, UL94 V-0, NATURAL COLOR.
 CONTACTS: PHOSPHOR BRONZE.
 PEGS: BRASS.
 MYLAR: POLYSTYRENES, ORANGE COLOR.
 - FINISH:
 CONTACTS: GOLD FLASH OVER 1.27μm [50μ"] MIN. NICKEL ON ENTIRE CONTACT.
 PEGS: 3.05μm [120μ"] MIN. MATTE-TIN OVER 1.27μm [50μ"] MIN. NICKEL.
 - REFLOW SOLDER CAPABLE TO 260°C PER TEC-109-201, CONDITION B.
 - SUBSTANCE RESTRICTIONS FOR LOW HALOGEN (BY WEIGHT):
 BROMINE (Br) ≤ 900 PPM (0.09%)
 CHLORINE (Cl) ≤ 900 PPM (0.09%)
 TOTAL CONCENTRATION OF CHLORINE (Cl) + BROMINE (Br) ≤ 1500 PPM (0.15%)

△ MATING RECEPTACLE PART NUMBER: 1775013-1.



TOLERANCE: ±0.05
 RECOMMENDED PCB LAYOUT
 (TOP VIEW)

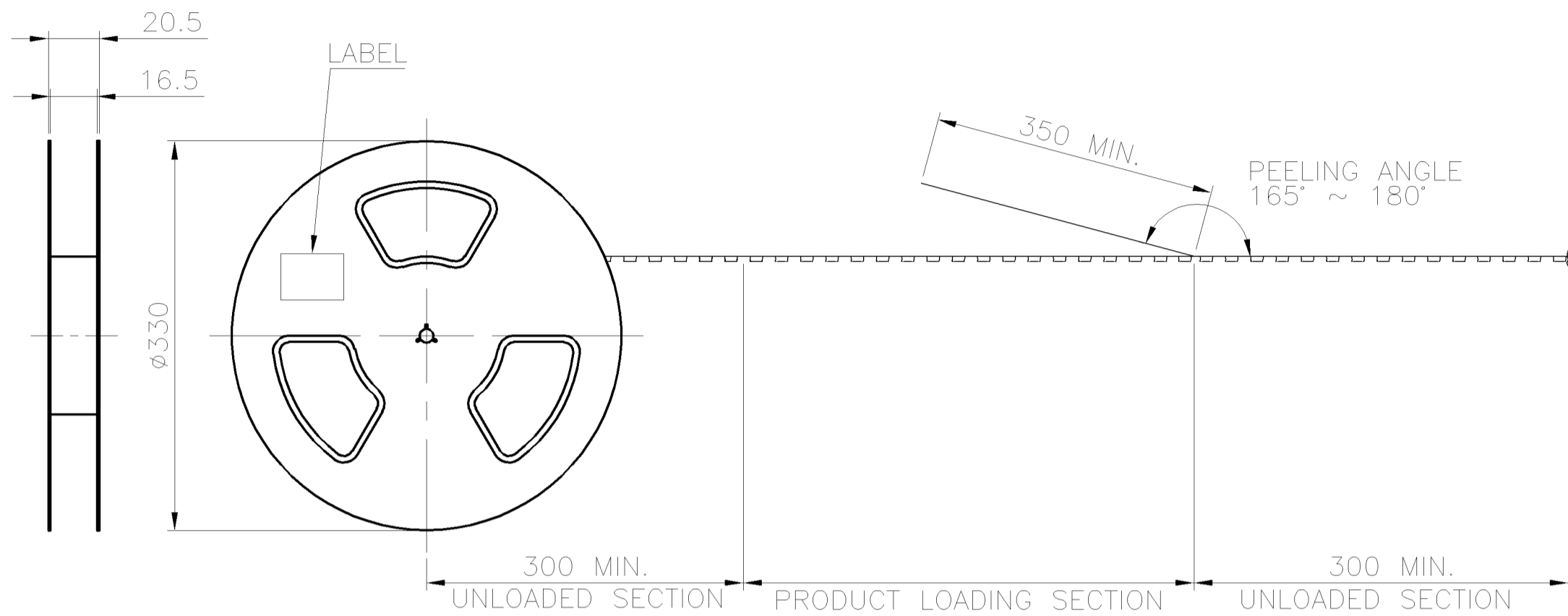


1-2041342-2
 PART NUMBER

THIS DRAWING IS A CONTROLLED DOCUMENT.		DWN A. WU 12JAN2011	Tyco Electronics Corporation Taipei, Taiwan		
DIMENSIONS: MM		CHK S. CHIEN 12JAN2011	NAME		
TOLERANCES UNLESS OTHERWISE SPECIFIED:		APVD W. KODAMA 12JAN2011	0.8 PITCH BOARD-TO-BOARD CONNECTOR, SMT, 12 POSITION, PLUG		
0 PLC ± 0.5		PRODUCT SPEC 108-57849	SIZE	CAGE CODE	DRAWING NO
1 PLC ± 0.3		APPLICATION SPEC			
2 PLC ± 0.2			—		
3 PLC ± 0.15		WEIGHT 0.16 GRAMS	A3	00779	C=2041342
4 PLC ± —		CUSTOMER DRAWING	RESTRICTED TO		
ANGLES ± 3°			SCALE	SHEET	REV
FINISH SEE NOTE			—	1 OF 2	A

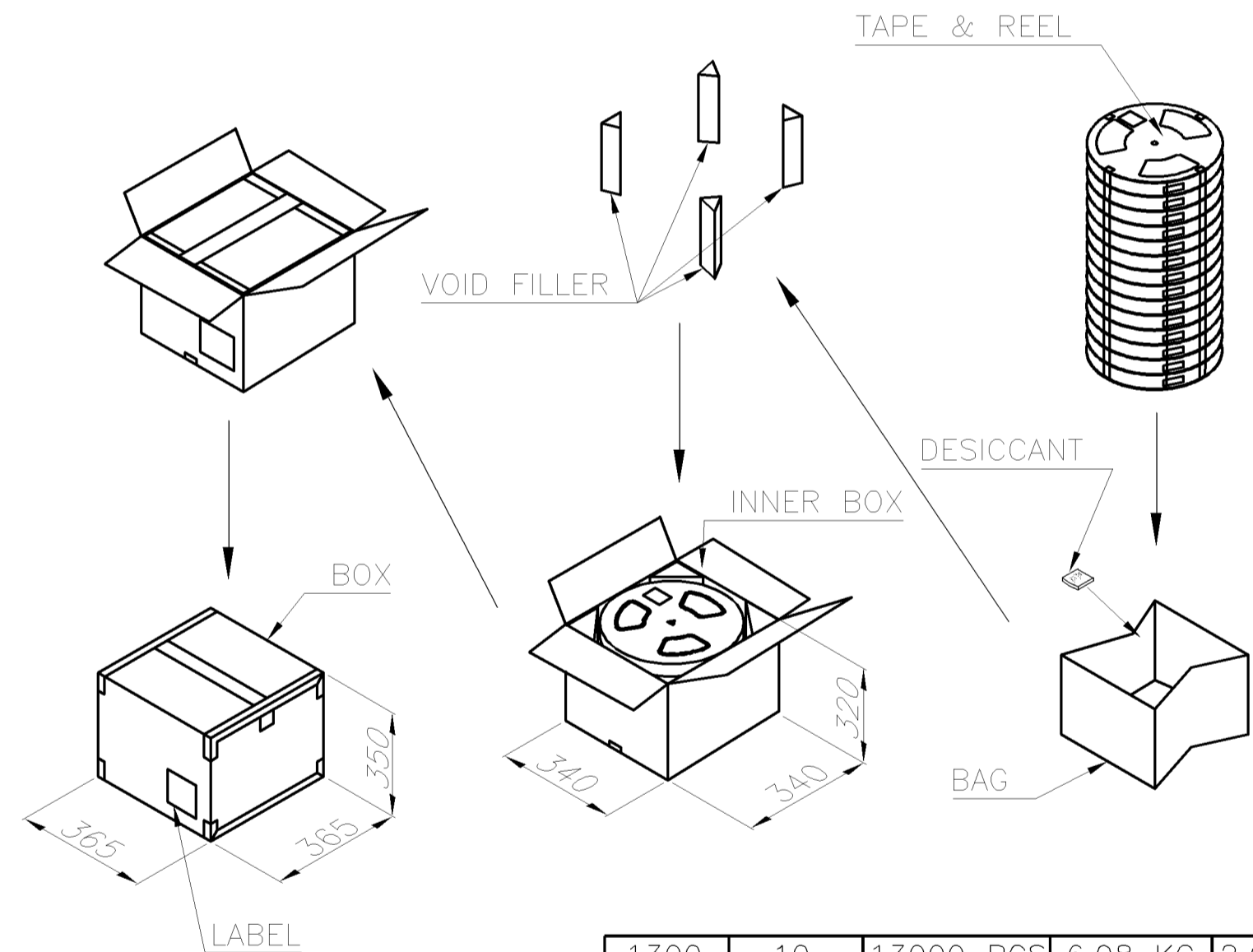
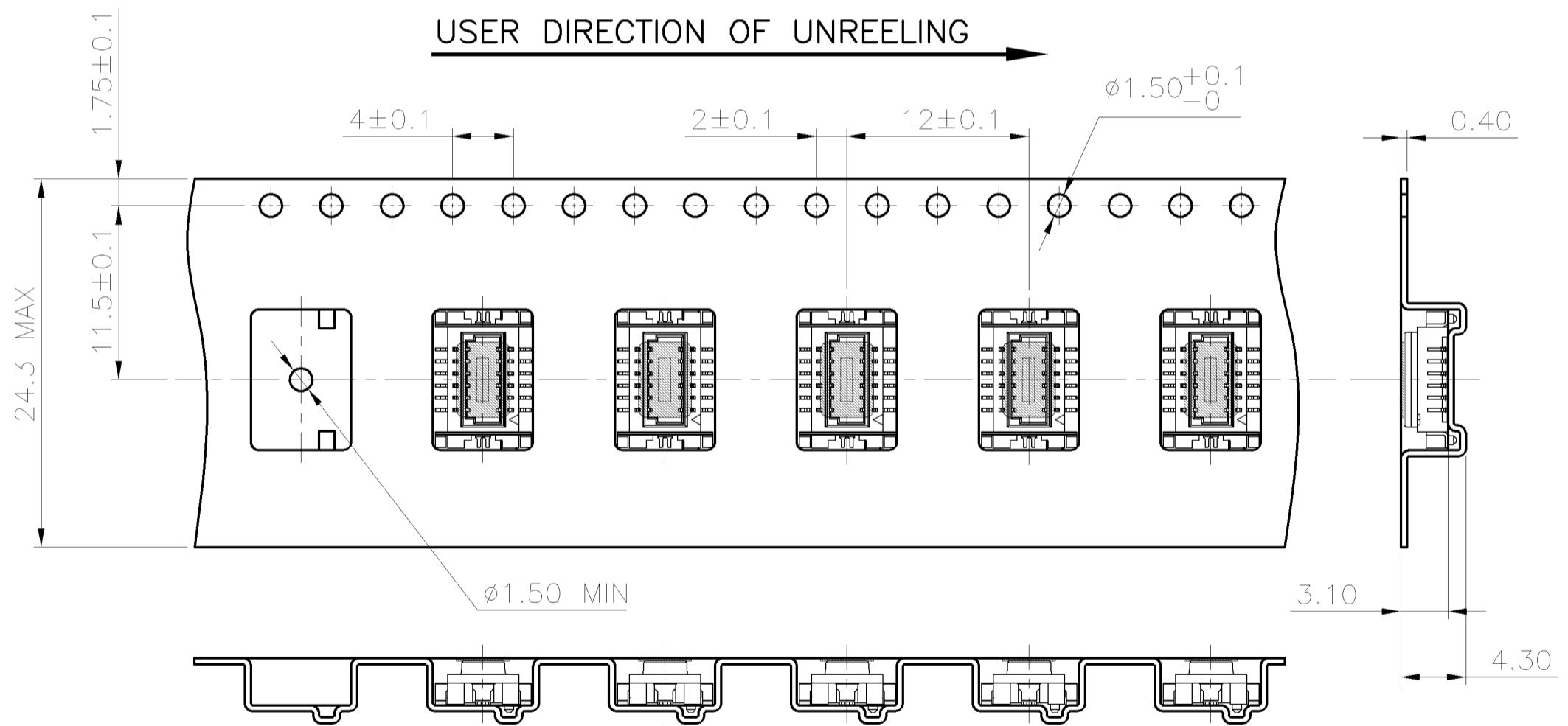
THIS DRAWING IS UNPUBLISHED. RELEASED FOR PUBLICATION
 © COPYRIGHT 2011 BY TYCO ELECTRONICS CORPORATION. ALL RIGHTS RESERVED.

LOC	DIST	REVISIONS					
DW	—	P	LTR	DESCRIPTION	DATE	DWN	APVD
				SEE SHEET 1.			



NOTES:

- MATERIAL:
 BOX: FIBREBOARD, CORRUGATED, DOUBLE WALL.
 COVER TAPE: PET, TRANSPARENT COLOR.
 CARRIER TAPE: POLYSTYRENES, TRANSPARENT COLOR.
 REEL: HIPS, BLUE COLOR.
 BAG: POLYETHYLENES, TRANSPARENT COLOR.
- EACH BAG SHALL BE INCLUDED DESICCANT.
- PEELING STRENGTH: 0.1 ~ 1.3 N (10 ~ 130 GRAMS).
- PEELING SPEED: 300 mm/min.



1300	10	13000 PCS	6.98 KG	2.08 KG
PCS/TAPE	REELS/BOX	QUANTITY	GROSS WEIGHT	NET WEIGHT

THIS DRAWING IS A CONTROLLED DOCUMENT.		DWN	A. WU	12JAN2011	Tyco Electronics Corporation		
		CHK	S. CHIEN	12JAN2011	Taipei, Taiwan		
		APVD	W. KODAMA	12JAN2011	NAME		
		PRODUCT SPEC			0.8 PITCH BOARD-TO-BOARD CONNECTOR, SMT, 12 POSITION, PLUG		
		APPLICATION SPEC			RESTRICTED TO		
		WEIGHT			SIZE	CAGE CODE	DRAWING NO
		CUSTOMER DRAWING			A3	00779	C=2041342
		SCALE			SHEET		REV
		—			2 OF 2		A