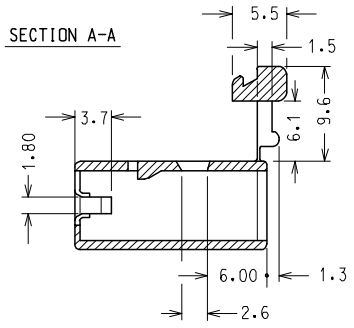
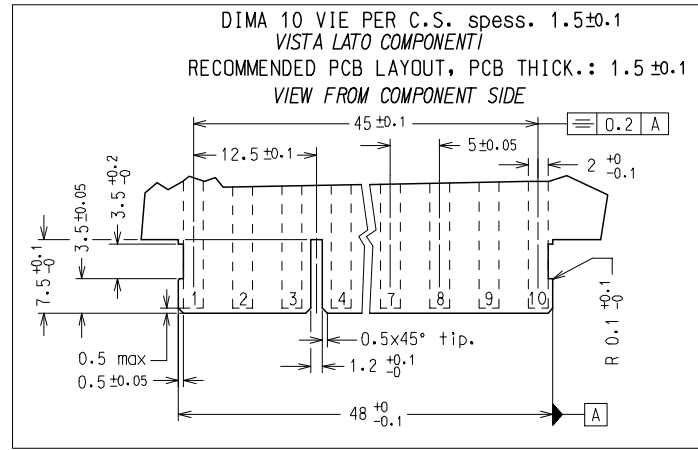
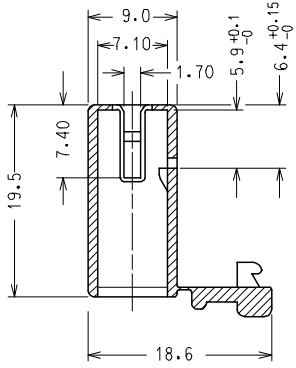


10 9 8 7 6 5 4 3 2 1

SECTION A-A



SECTION B-B



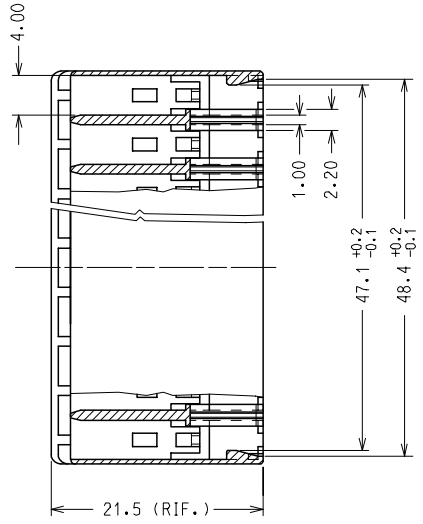
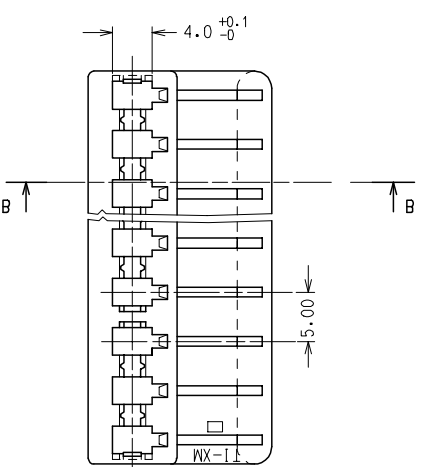
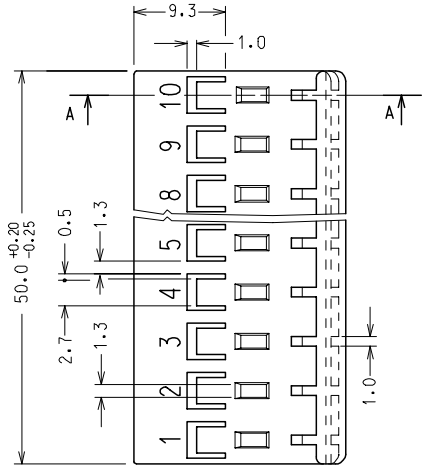
NOTA: LE DIMENSIONI VANNO MISURATE CON CORPI STABILIZZATI. (AUMENTO IN PESO DEL 2.7 %)

NOTE: PARTS SHALL BE DIMENSIONALLY CHECKED AFTER ATTAINING EQUILIBRIUM CONDITIONS E.G.2.7 % INCREASE IN WEIGHT FOR HUMIDITY ABSORPTION FROM DRY STATUS.

CARATTERISTICHE PRODOTTO SECONDO PS-94529 PRODUCT CHARACTERISTICS ACCORDING TO PS-94529 E

CONFEZIONE: 2200 pz. IN SCATOLA PACKAGING: 2200 pcs IN CARTON BOX

CODICE P/N	MATERIAL
94529-9110	NYLON 6.6 NATURAL UL 94 V2 GW 850 °C
94529-7110	PA 6.6 NATURAL UL94 V0
94529-4110	NYLON 6.6 GW 750 °C sec. IEC 60335-1 TEST METHOD IEC 60695-2-11 NATURAL



SPQ: 2200 pz.

Descr. Std: HSG FOR FORK TERMINAL 10 CKT

EC NO: Z2007-0038
 DRWN: SBARBIER 2006/09/20
 CHKD: RSANDAN 2006/09/20
 APPR: FBISELLO 2006/09/25

QUALITY SYMBOLS	GENERAL TOLERANCES (UNLESS SPECIFIED)		SCALE	DESIGN UNITS
	mm	INCH	2:1	METRIC
▽ -0	4 PLACES ± ---	± ---	DIMENSION STYLE MM ONLY	
▽ -0	3 PLACES ± ---	± ---	DRAWN BY	DATE
▽ -0	2 PLACES ± 0.10	± ---	FGOTTARD	1999/01/11
▽ -0	1 PLACE ± 0.2	± ---	CHECKED BY	DATE
▽ -0	ANGULAR ± 2 °		SSORATO	1999/01/11
▽ -0	DRAFT WHERE APPLICABLE MUST REMAIN WITHIN DIMENSIONS		APPROVED BY	DATE
▽ -0			RMARTUCC	1999/01/11

TITLE	FIRST ANGLE PROJECTION	REVISE ON CAD ONLY
10 CKT HOUSING FOR STRAIGHT FORK TERMINAL		
MOLEX INCORPORATED		
MATERIAL NO.	DOCUMENT NO.	SHEET NO.
SEE TABLE	SD-94529-021	1 OF 1
THIS DRAWING CONTAINS INFORMATION THAT IS PROPRIETARY TO MOLEX INCORPORATED AND SHOULD NOT BE USED WITHOUT WRITTEN PERMISSION		

9 8 7 6 5 4 3 2 1