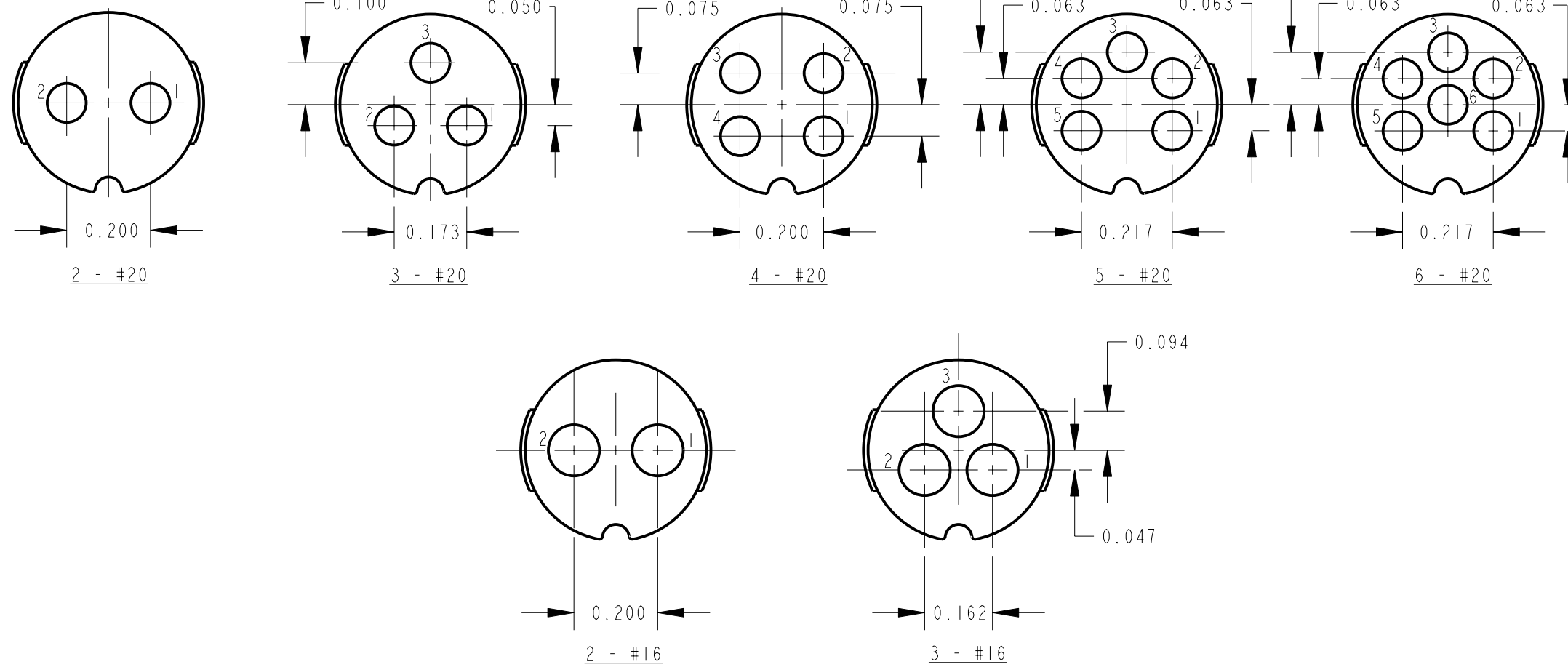
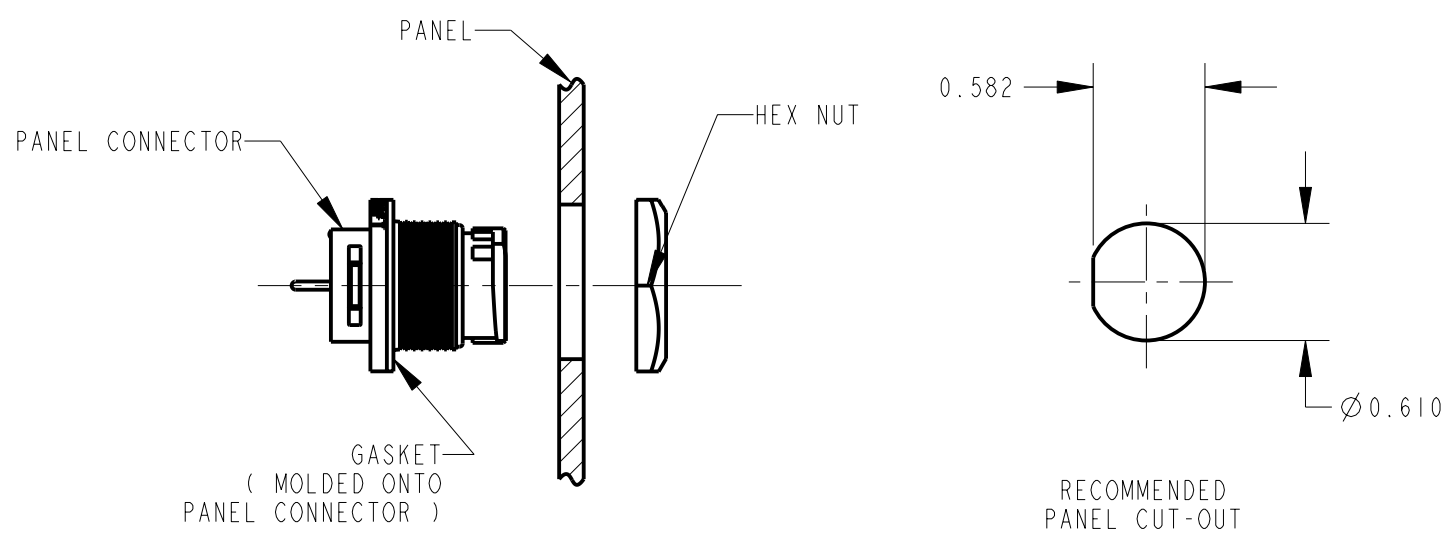


SWITCHCRAFT PANEL CONNECTOR ASSEMBLY INSTRUCTIONS

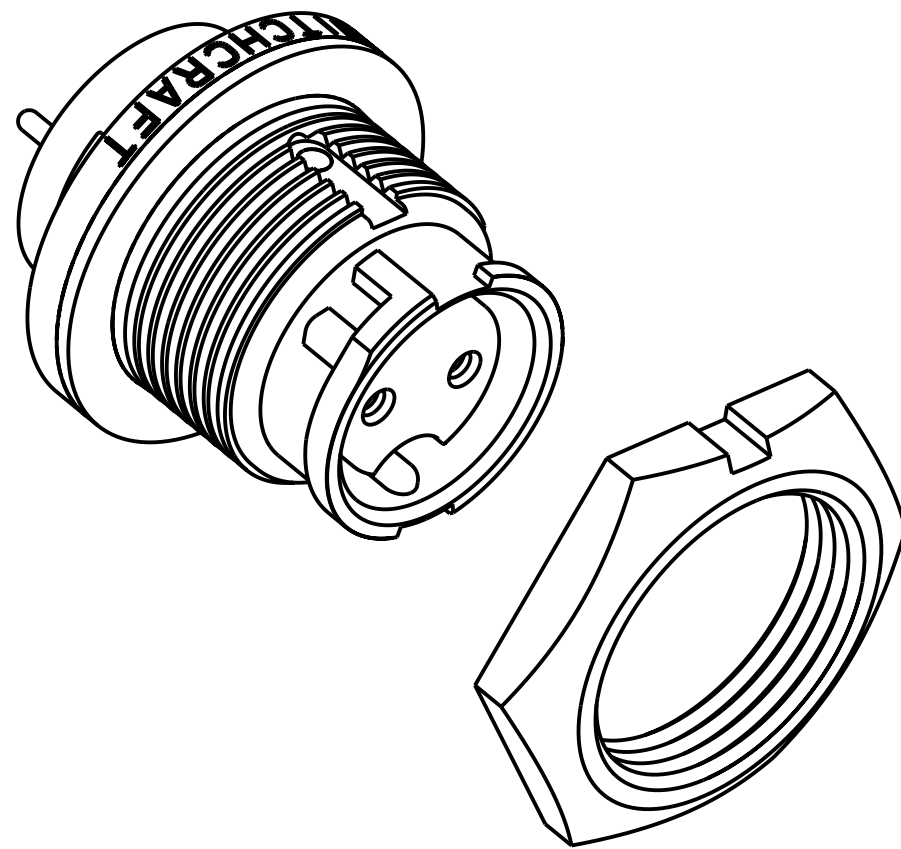


SPECIFICATIONS

MECHANICAL:
 SHOCK: MIL-STD 202 METHOD 213B, COND. K.
 VIBRATION: MIL-STD 202 METHOD 201
 LIFE: 300 INSERTION/WITHDRAWAL CYCLES (MINIMUM)

ELECTRICAL
 DIELECTRIC WITHSTANDING VOLTAGE: 1,000 VAC
 INSULATION RESISTANCE: 100 MEGOHMS (MIN) AT 77°F
 CONTACT RESISTANCE: 5.0 MILLOHMS MAX.
 CURRENT RATING: 7.5 AMPS (#20 CONTACT)
 13.0 AMPS (#16 CONTACT)

ENVIRONMENTAL
 TEMPERATURE LIMITS: -40°C TO +65°C (NON-OPERATING)
 MOISTURE RESISTANCE: MIL-STD 202 METHOD 106F
 INSULATION RESISTANCE: MIL-STD 202 METHOD 302, COND. B
 THERMAL SHOCK: MIL-STD 202 METHOD 107G
 SALT SPRAY: MIL-STD 202 METHOD 101D, COND. B
 WATER TIGHTNESS TEST: U.S. COAST GUARD CFR 46 PART 110.20



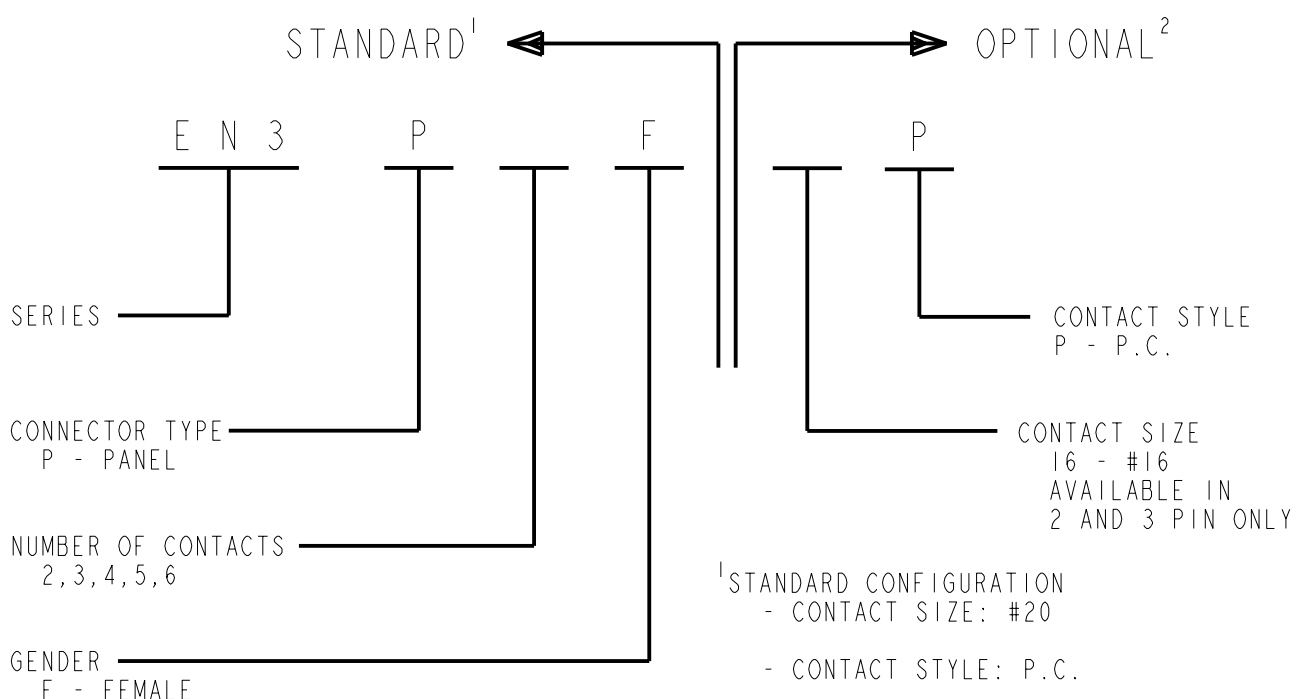
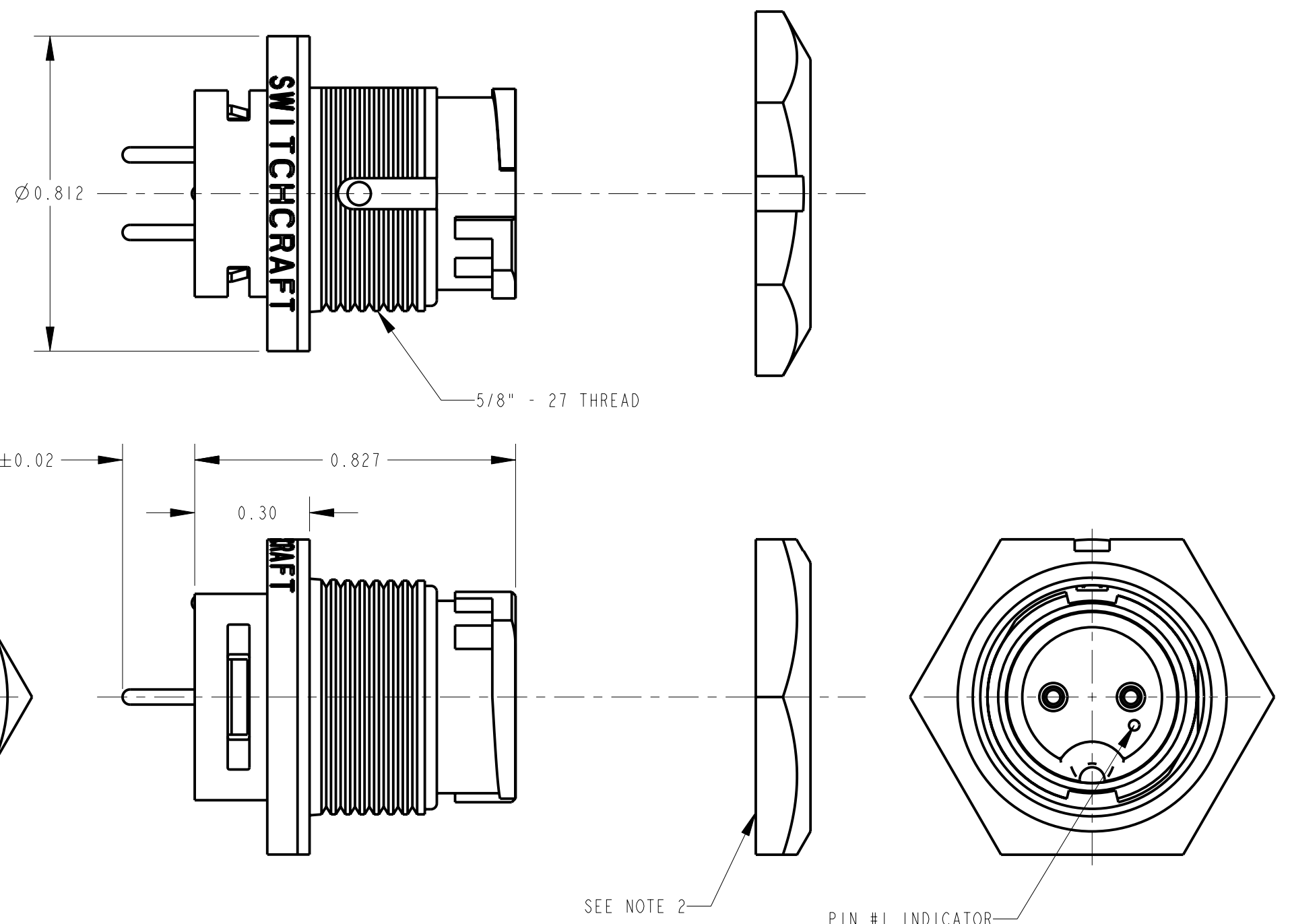
HOLE LAYOUTS VIEWED FROM FRONT OF CONNECTOR
 RECOMMENDED HOLE SIZE: #20 CONTACT: .046" DIA.
 #16 CONTACT: .055" DIA.

MATERIALS:
 PANEL CONNECTOR SHELL, CONTACT LOCKING DISC:
 THERMOPLASTIC POLYMER GLASS FIBER, FLAME RETARDANT

CONNECTOR SHELL INTERIOR:
 THERMOPLASTIC RUBBER

CONTACTS: COPPER BASE ALLOY GOLD-PLATED
 OVER NICKEL UNDERPLATE

HEX NUT: THERMOPLASTIC



NOTES:

- HEX NUT TORQUE:
8 TO 10 INCH-LBS. OF TORQUE
(MUST NOT EXCEED 10 INCH-LBS.)
- HEX NUT SHIPPED UNASSEMBLED.

| | | | | | | | |
|---|--|--|--|--|-------|----------|-------|
| ★ STAR SYMBOL DENOTES CRITICAL DIMENSION | | | | THIS DRAWING DESCRIBES A DESIGN CONSIDERED PROPRIETARY IN NATURE, DEVELOPED AND MANUFACTURED BY SWITCHCRAFT INC. AND IS RELEASED ON A CONFIDENTIAL BASIS FOR IDENTIFICATION PURPOSES ONLY. | | | |
| UNLESS OTHERWISE SPECIFIED | | | | SIZE | WIDTH | MULT | LBS/M |
| 1. ALL DIMENSIONS IN INCHES - TWO PLACE DECIMALS ±0.01 - THREE PLACE DECIMALS ±0.005 - ANGLES ±1° - ALL DIA. CONCENTRIC WITHIN 0.005 T.I.R. | | | | FINISH | | MATERIAL | |
| 2. FEATURES ON THE SAME CENTERLINE MUST BE ALIGNED WITHIN ±0.002 | | | | SPEC No. | | SPEC No. | |
| 3. REMOVE ALL BURRS | | | | FIRST USED ON | | SCALE | |
| DO NOT SCALE DRAWING | | | | DATE DRAWN | | 3:1 | |
| REVISIONS | | | | BY | CHKD | APVD | |
| FEMALE PANEL CONNECTOR | | | | CCB | CCB | FL | |
| PART No. EN3P_F_P | | | | SHEET 1 OF 1 | | REV E | |