

D

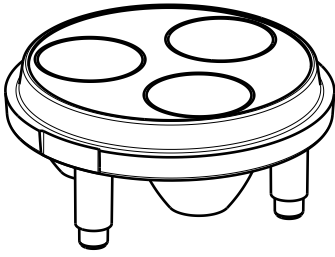
C

B

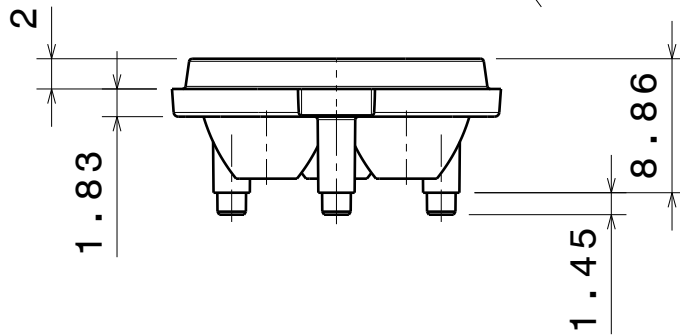
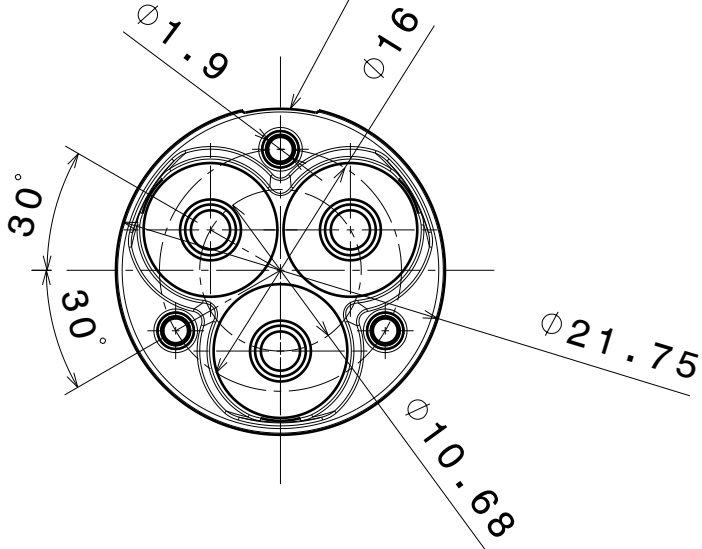
A

4

4



Injection gate



3

3

2

2

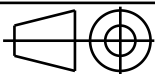
INDEX	PART NO	DESCRIPTION	MATERIAL	COLOUR
1	C13235	SATU-W	PMMA	

Tolerances if not otherwise shown  
 According to DIN ISO 2768-1  
 Linear measures:  
 Up to 30mm class M, otherwise class C.  
 According to DIN ISO 2768-2  
 Form and position: class L



Ledil Oy  
 Salorankatu 10  
 FIN 24240 SALO  
 Finland

THIRD ANGLE PROJECTION:



DRAWING TITLE

C13235\_SATU-W

This drawing is the property  
 of LEDiL Oy. It may not be  
 reproduced, copied or  
 communicated without a written  
 agreement with LEDiL Oy."

SIZE PART NUMBER

A4

C13235

SCALE 2:1 WEIGHT 2 g SHEET 1/1

1

1

D

A