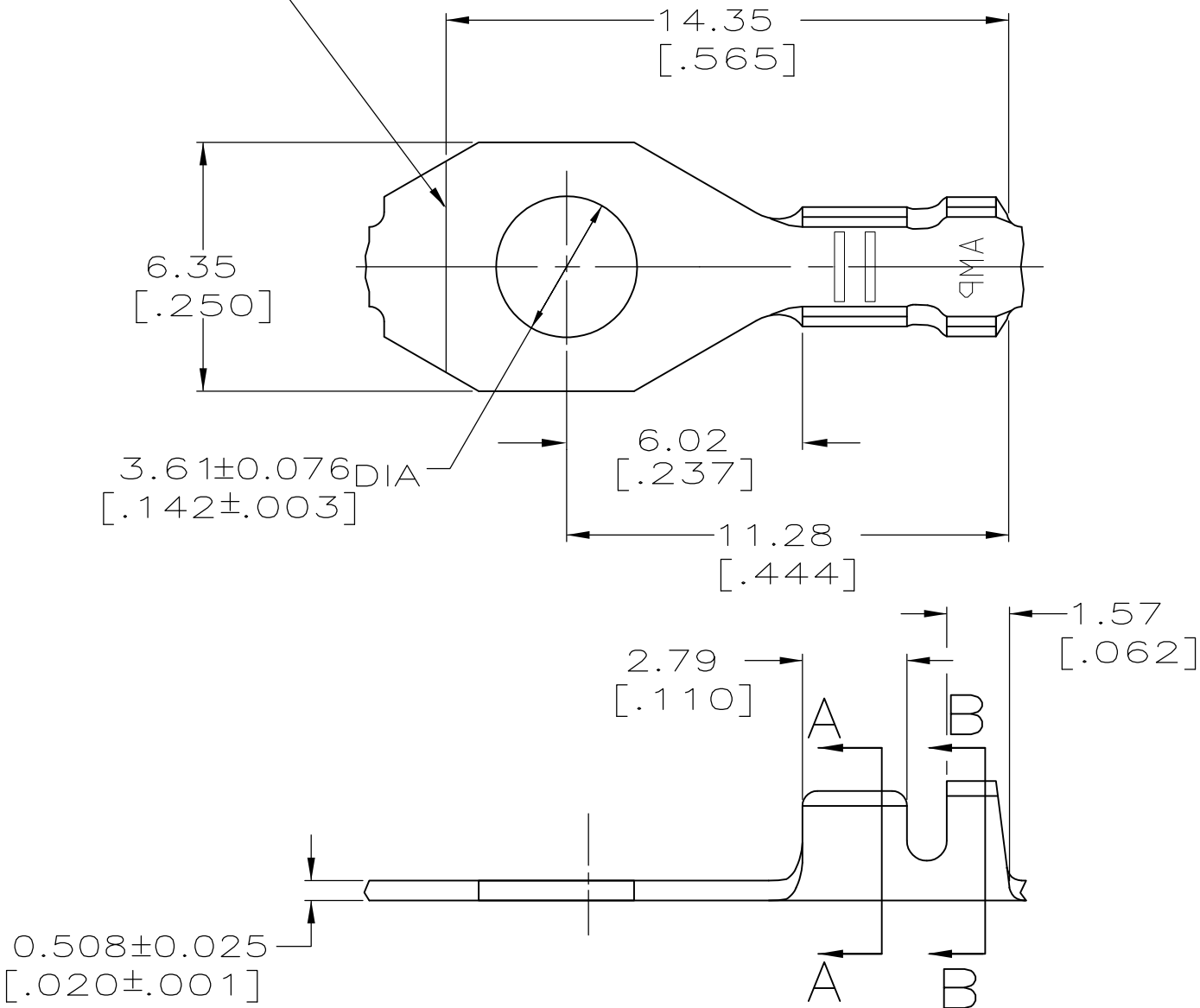


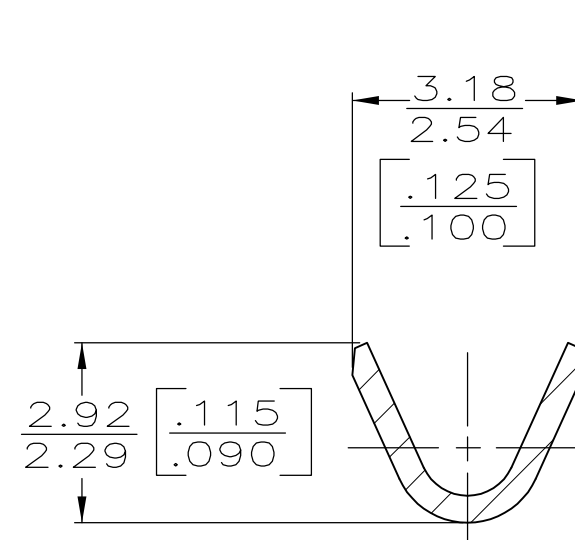
THIS DRAWING IS UNPUBLISHED. RELEASED FOR PUBLICATION
 © COPYRIGHT BY TYCO ELECTRONICS CORPORATION. ALL INTERNATIONAL RIGHTS RESERVED.

LOC	DIST	REVISIONS					
AF	50	P	LTR	DESCRIPTION	DATE	DWN	APVD
		L		REVISED PER ECR-08-008189	24NOV08	HMR	DD

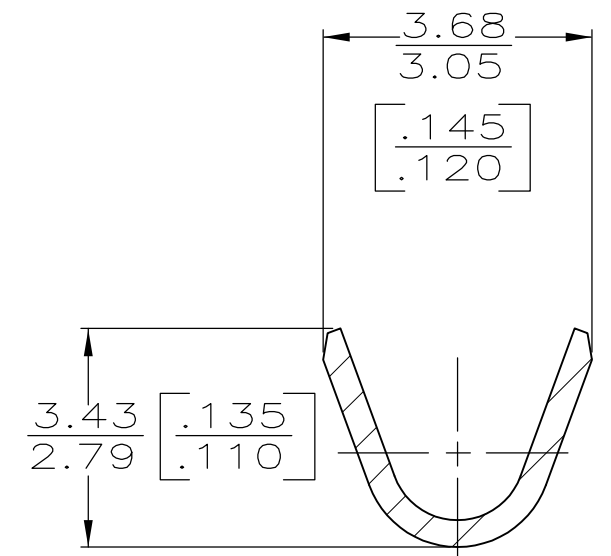
APPLICATOR CUT-OFF



1 CONTINUOUS STRIP ON REELS
 2 8000 PER REEL



SECTION A-A
SCALE 10:1



SECTION B-B
SCALE 10:1

METRIC

TIN PLATING	1.22-1.98 DIA [.048-.078]	0.13mm ² -0.5mm ² [26-20] AWG	60123-3 2
TIN PLATING	1.22-1.98 DIA [.048-.078]	0.13mm ² -0.5mm ² [26-20] AWG	60123-2
FINISH	INSULATION RANGE	WIRE RANGE	PART NUMBER

F OR O	2.79 [.110]	4.06 [.160]	F	2.03 [.080]	1.40 [.055]	0.5mm ² [20]
					1.37 [.054]	0.3mm ² [22]
					1.30 [.051]	0.2mm ² [24]
					1.27 [.050]	0.13mm ² [26]
TYPE	WIDTH	STRIP LENGTH ±0.38 [±.015]	TYPE	WIDTH	±0.051 [±.002] HEIGHT	WIRE
INSUL BARREL CRIMP			WIRE BARREL CRIMP			

THIS DRAWING IS A CONTROLLED DOCUMENT.

DIMENSIONS: mm [INCHES]

TOLERANCES UNLESS OTHERWISE SPECIFIED:

0 PLC ± -
 1 PLC ± -
 2 PLC ± -
 3 PLC ± 0.38 [.015]
 4 PLC ANGLES ± -

MATERIAL #2 HARD BRASS

FINISH SEE TABLE

DWN P FORTNEY 4/5/90	Tyco Electronics	Tyco Electronics Corporation	
CHK JR RUTH 4/5/90		Harrisburg, PA 17105-3608	
APVD -	NAME	RING	
PRODUCT SPEC -	SIZE	CAGE CODE	RESTRICTED TO
APPLICATION SPEC -	A3	00779	-
WEIGHT -	DRAWING NO	SCALE	SHEET
CUSTOMER DRAWING	G-60123	6:1	1 OF 1
		REV	L