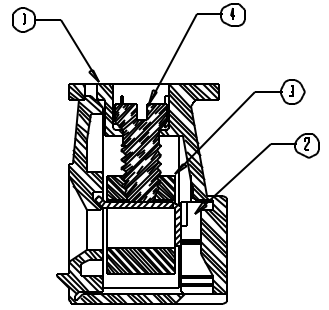
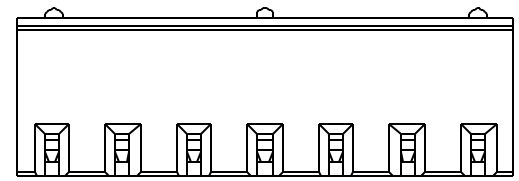
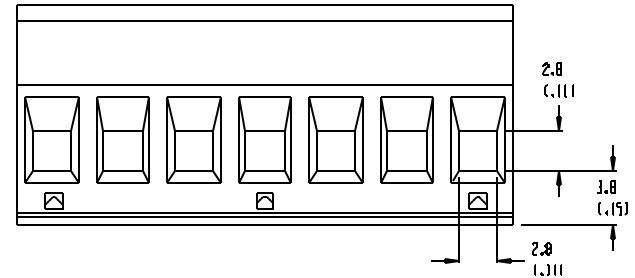
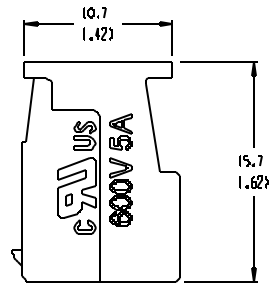
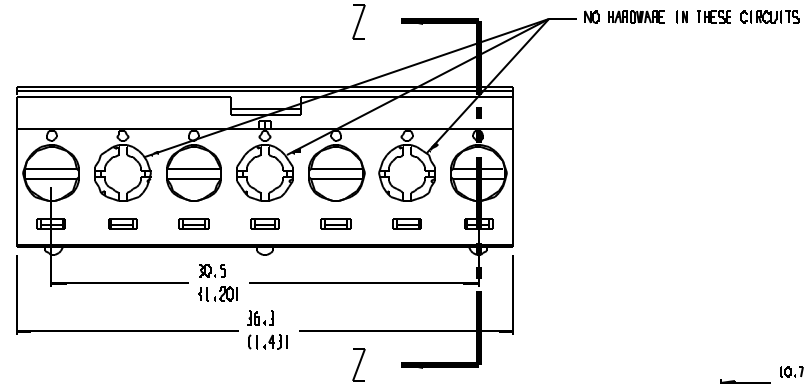


AUXILIARY VIEW  
SCALE 2:1



SECTION Z-Z

NOTES:

1. MATERIAL: SEE TABLE
2. FINISHES: SEE TABLE
3. PRODUCT SPECIFICATION: NOT REQUIRED
4. PACKAGING: NOT REQUIRED
5. MATES WITH: 39980

ITEM	QTY.	DESCRIPTION	MATERIAL	FINISH
4	4	SCREW	STEEL	ZN, CLEAR CHROMATE
3	4	RISING CAGE	BRASS	NICKEL
2	4	TERMINAL	PHOS. BRONZE	TIN
1	1	INSULATOR	NYLON	BLACK

EC NO. 11499 DRAWN: RK 2-13-04 CHK: [ ] APP: [ ]	DESCRIPTION MAJOR CRITICAL SPEC	QUALITY SYMBOLS MAJOR CRITICAL SPEC
-----------------------------------------------------------	------------------------------------------	----------------------------------------------

GENERAL TOLERANCES (UNLESS SPECIFIED)	
mm	(INCH)
4 PLACES	±.0015
3 PLACES	±.005
2 PLACES	±.01
1 PLACE	±.3
ANGULAR: ±2°	

SCALE: 3:1	DESIGN UNITS: <input type="checkbox"/> MM <input checked="" type="checkbox"/> INCH
THIRD ANGLE PROJECTION	
DRAWN BY & DATE: AMP 9/22/03	
CHECKED BY & DATE: R KEMP 10/13/03	
APPROVED BY & DATE: P WALTZ 10/20/03	
CAD FILENAME: 980904-56	

PROJECT NO.:	1	REV
DIMENSIONS:	<input checked="" type="checkbox"/> MM (INCH)	<input type="checkbox"/> INCH (MM)
TITLE: SR PLUG SKIP CIRCUIT ASSEMBLY		
MATERIAL NO. 399800204		
DRAWING NO. SD-39980-003		
SHEET NO. 1 OF 1		

THIS DRAWING CONTAINS INFORMATION THAT IS PROPRIETARY TO MOLEX INCORPORATED AND SHOULD NOT BE USED WITHOUT WRITTEN PERMISSION.