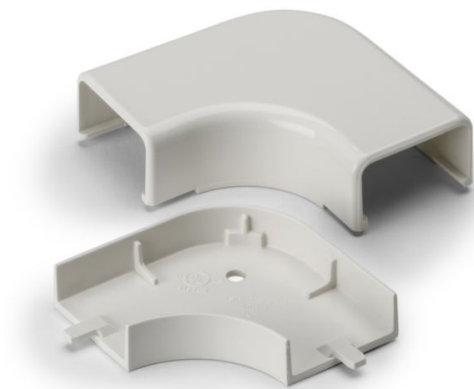


Specification Sheet

Part Number: TSRP2FW-25-1



Elbow Cover, 1-1/4", 1" Bend Radius, PVC, Office White, 1/bag

Article Number	250-62250
Type	TSRP2-25-1
Color	Office White (OEWH)
Features & Benefits	<ul style="list-style-type: none">• Self-locking covers, provide taper resistant security, while the hidden positive latch permits quick re-entry access to power cables.• An integrated flexible hinge allows the raceway to endure numerous openings without stress cracking or discoloration.• Raceways and fittings are UL Listed for power up to 600 Volts and meet UL5A and CSA 22.2 Number 62-93 Standards, to insure compliance with local building codes. Raceway fittings incorporate a minimum 1" bend radius to meet TIA/EIA 568-B and 569-A standards.
Quantity Per	EA
Product Description	HellermannTyton provides a complete line of raceway and fittings to manage connectivity requirements from the telecommunications room to the work area. Each size of raceway offers numerous fittings, offered in electrical ivory, white or office white, including TIA/EIA-568-B compliant 1" bend radius accessories which help ensure consistent data transmission performance of Category 6A, 6 and 5e communications systems.

Short Description	Elbow Cover, 1-1/4", 1" Bend Radius, PVC, Office White, 1/bag
Global Part Name	TSRP2-25-1-PVC-WH
Material	Polyvinylchloride (PVC)
Material Shortcut	PVC
Halogen free	No
Reach Complaint(Article 33)	No
ROHS Complaint	Yes
Package Quantity(Imperial)	1
Package Quantity (Metric)	1
Customs Number	3925900000