

2

1

THIS COPY IS PROVIDED ON A RESTRICTED BASIS AND IS NOT TO BE USED IN ANY WAY DETRIMENTAL TO THE INTERESTS OF PANDUIT CORP.

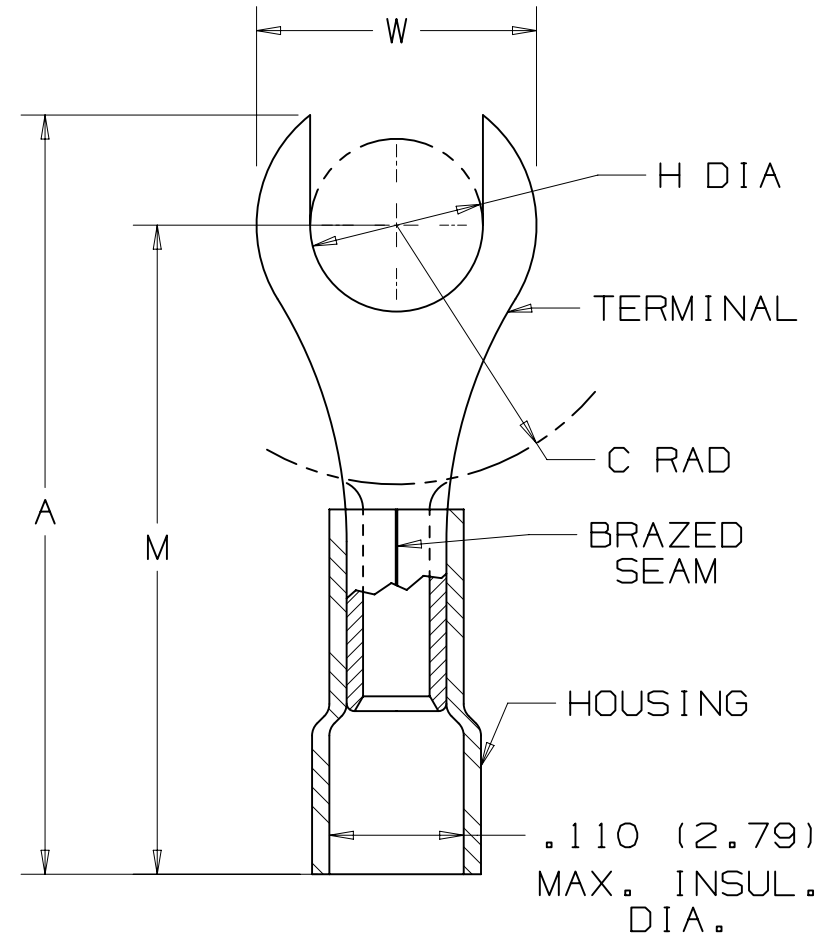
PANDUIT PART NUMBER	STUD SIZE	DIMENSIONS in.				
		A $\pm .020$	W $\pm .010$	C $\pm .015$	M $\pm .020$	H $\pm .010$
PV22-2F	#2	.61 (15.50)	.20 (5.08)	.19 (4.85)	.55 (13.97)	.10 (2.54)

NOTES:

- RECOMMENDED FOR:
 - 600V MAX. VOLTAGE RATING
 - #26-22 AWG SOLID OR STRANDED COPPER WIRE
 - 221° F (105° C) MAX. TEMP. RATING
- MATERIAL:
 - STAMPING - .020 [0.51] THK, COPPER, TIN PLATED
 - HOUSING - VINYL, YELLOW
- PACKAGE QTY:

STD PKG.	-CY	=100
BULK PKG.	-MY	=1000
- DIMENSIONS IN BRACKETS ARE IN MILLIMETERS
- INSTALLATION TOOLS: CT-520, CT-1525 (POCKET A)
- WIRE STRIP LENGTH: $3/16'' + 1/32''$ [4.8mm +.8] - 0

Panduit part numbers shown on this drawing meet the material requirements of RoHS (European Directive 2002/95/EC on the Restriction of Hazardous Substances) as proposed by the Technical Adaptation Committee.



B

B

A

A

TITLE		#26-22 BARREL VINYL INSULATED FORK, .110 [2.79] MAX. WIRE INSUL. DIA.	
ITEM REVISION NAME		CUSTOMER DRAWING	
DATASET FILE NAME		N41231BA/05	
UNLESS OTHERWISE SPECIFIED, DIMENSIONAL TOLERANCES ARE: IN [mm]		MATERIAL:	
.X ± .XX ±		SEE NOTES	
.XXX ± ANGLES ±		DRAWING NUMBER:	
THIRD ANGLE PROJECTION		A41231	
DRAWN BY	DATE	CHK	SCALE
DAW			N/A
SHT 1 OF 1		A	

REV	DATE	BY	CHK	APR	DESCRIPTION	ECN
05	1/15	JHNU	TMR	RGB	ADDED WIRE STRIP LENGTH NOTE REVISED TITLE BLOCK	N41231BA-DC

2

1

D101000A/16