
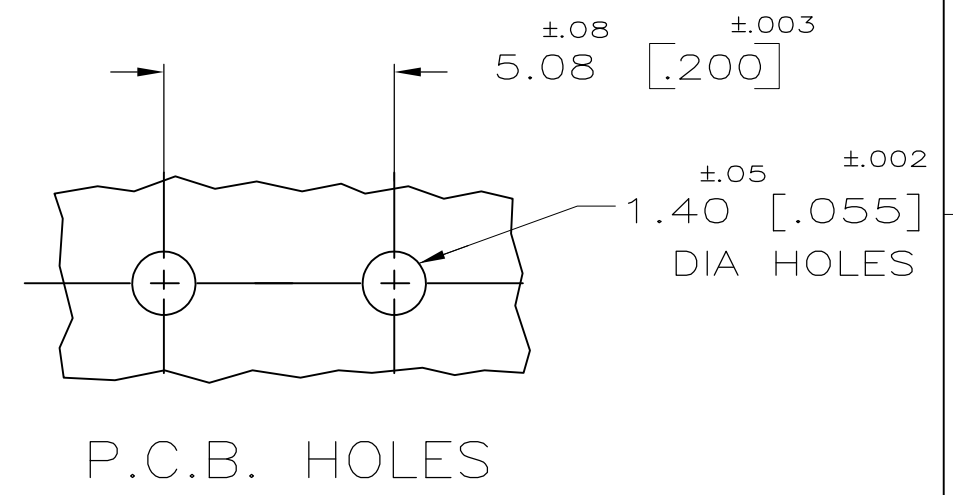
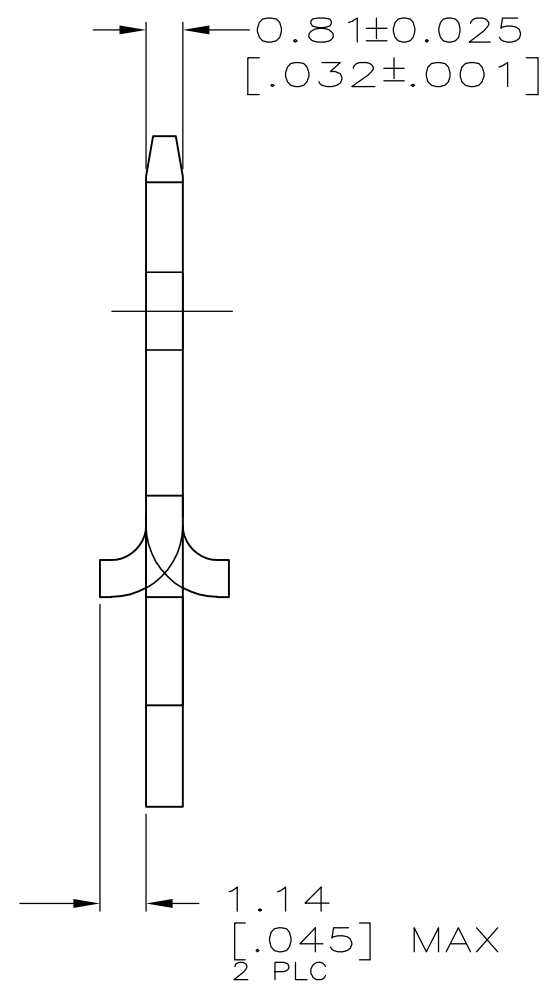
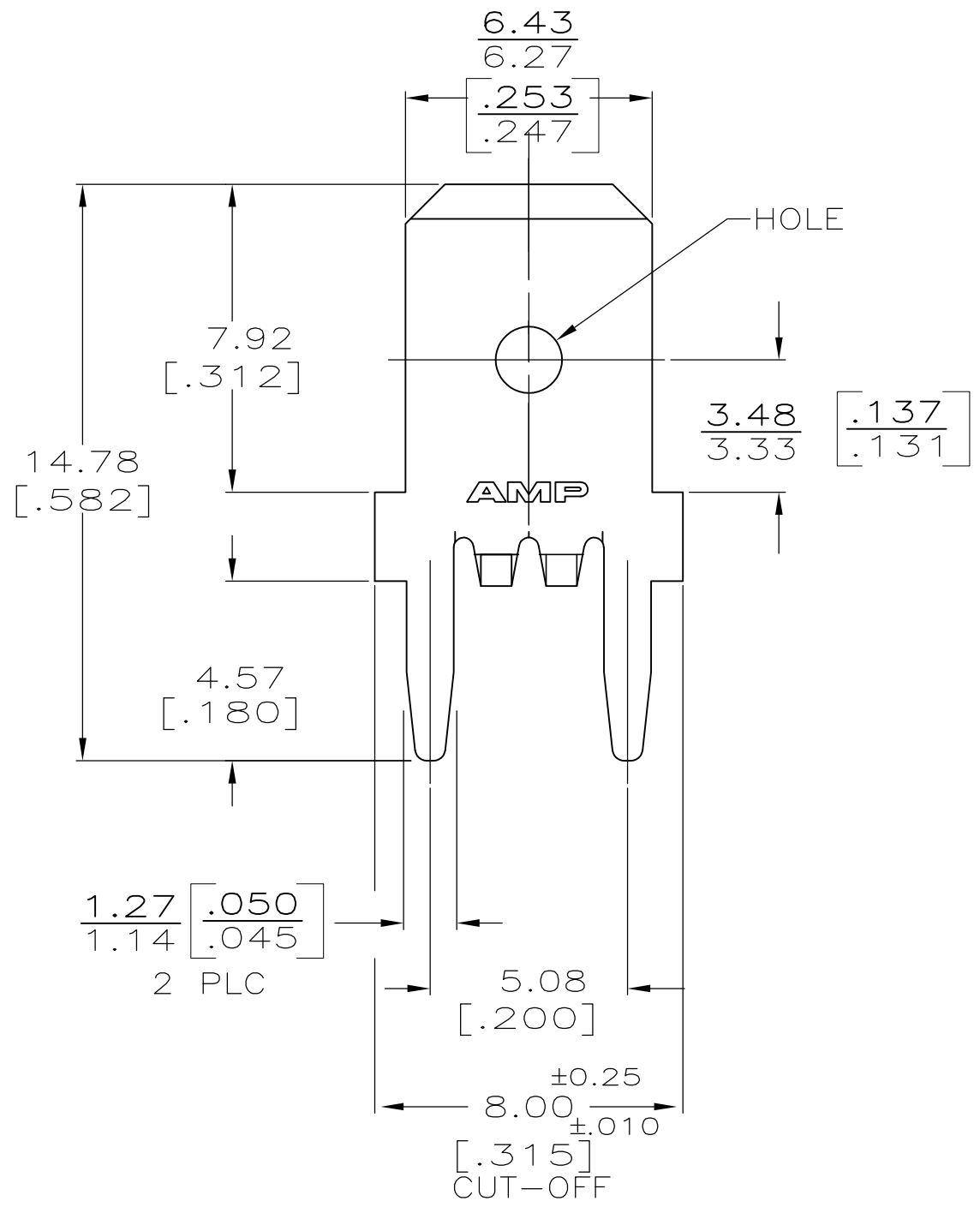



THIS DRAWING IS UNPUBLISHED. RELEASED FOR PUBLICATION
 © COPYRIGHT - By - ALL RIGHTS RESERVED.

LOC	DIST	REVISIONS			
P	LTR	DESCRIPTION	DATE	DWN	APVD
AF	50	B2	REV PER ECO 12-000047	03JAN11	JR PD

- 1  TIN PLATE 0.00381 [.000150] MIN OVER 0.00127 [.000050] MIN THK NICKEL, OR 0.00254 [.000100] MIN COPPER AS ALTERNATE UNDERPLATING.
- 2 SUPPLIED IN LOOSE PIECE



1217421-1
 PART NO.

THIS DRAWING IS A CONTROLLED DOCUMENT.		DWN JR RUTH 23MAY00	 TE Connectivity		
DIMENSIONS: MM [INCHES]		CHK MS FEHER 23MAY00			
TOLERANCES UNLESS OTHERWISE SPECIFIED:		APVD G PORTA 23MAY00	NAME		
0 PLC ± -		PRODUCT SPEC	TAB, P.C.BOARD, 6.35 [.250] SERIES		
1 PLC ± -		APPLICATION SPEC	SIZE	CAGE CODE	DRAWING NO
2 PLC ± 0.25 [.010]		114-2115	A3	00779	C-1217421
3 PLC ± -		WEIGHT -	RESTRICTED TO -		
4 PLC ± -		CUSTOMER DRAWING	SCALE 6:1	SHEET 1 OF 1	REV B2
ANGLES ± -					
FINISH					
MATERIAL 082 BRASS					
