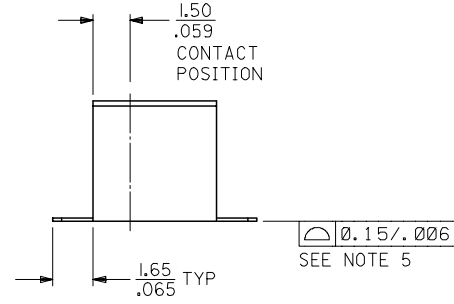
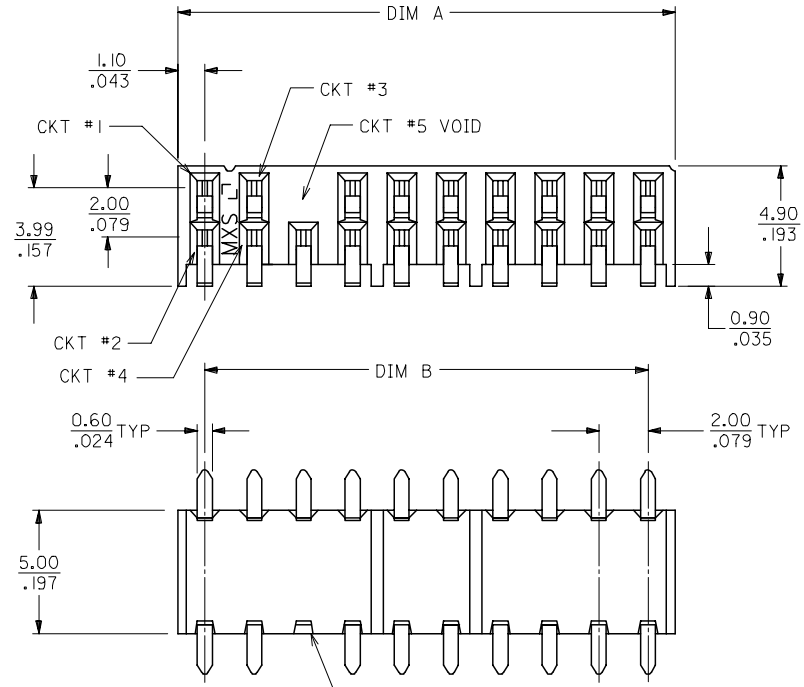
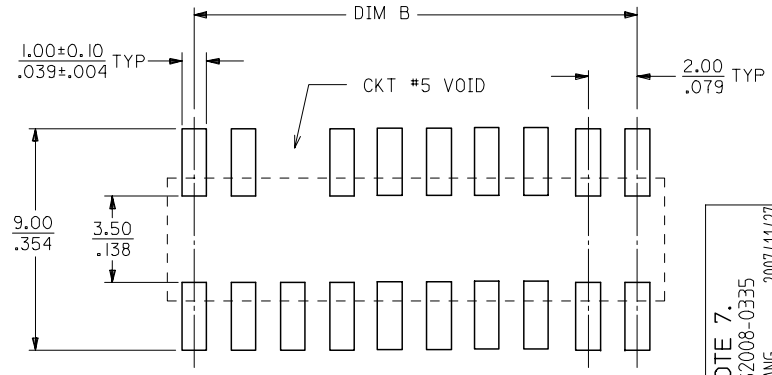


PART NUMBER IN TAPE/REEL	CKT. SIZE	VOID CKT.	DIM A	DIM B
87368-8010	20	5	20.20/0.795	18.00/0.709



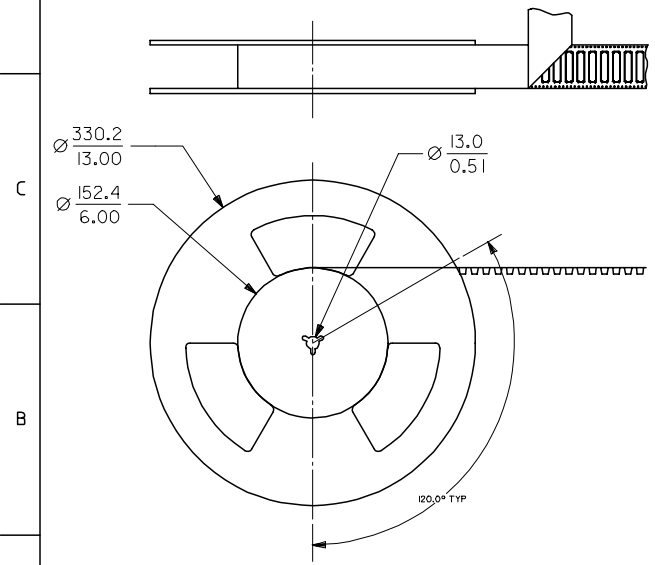
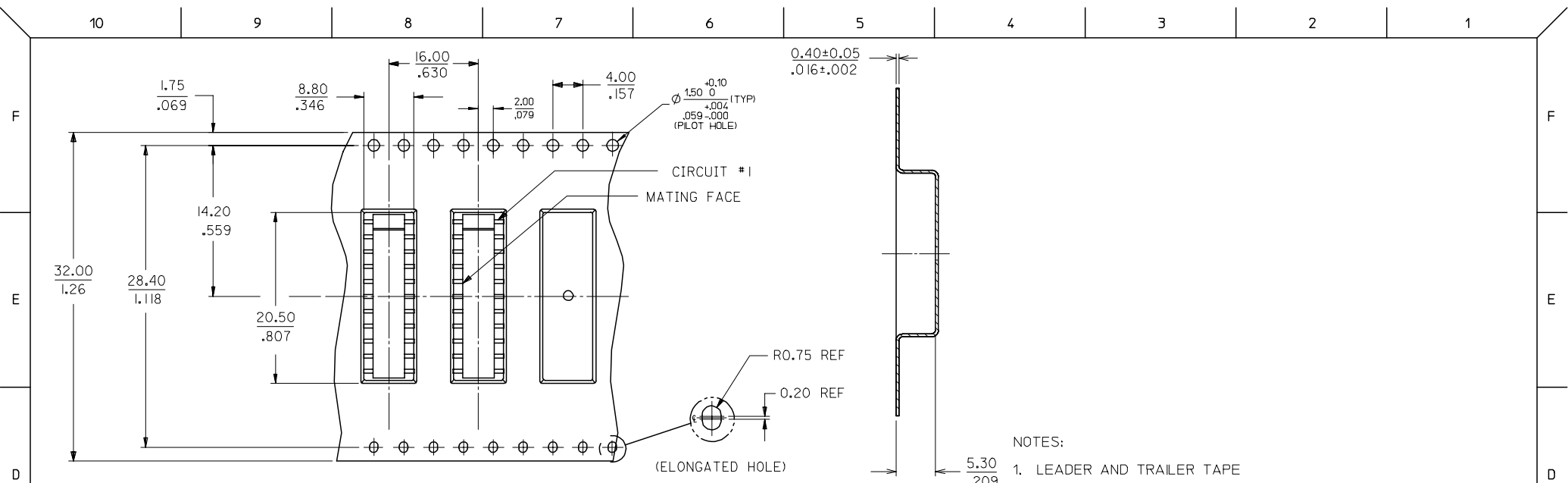
- NOTE:**
- MATERIAL : HOUSING - NYLON, GLASS FILLED, UL94 V-0  
COLOR : BLACK  
TERMINAL - PHOSPHOR BRONZE
  - FINISHES : TERMINAL - SELECTIVE GOLD IN THE CONTACT AREA  
2.54um/100uin MIN. SELECTIVE TIN  
IN THE PC TAIL AREA  
BOTH OVER 1.27um/50uin MIN. NICKEL OVERALL
  - PRODUCT SPECIFICATION : PS-87264
  - COPLANARITY OF SOLDER TAIL IS TO BE MEASURED BY RESTING THE PART ON A FLAT GAUGE SURFACE.
  - PART MATEABLE TO ALL MILLI-GRID HEADERS WITH MATING PIN LENGTH BETWEEN 2.50mm AND 4.20mm
  - PART IS PACK IN TAPE/REEL.
  - PARTS SHALL BE PACKED IN MOISTURE BARRIER BAG.



RECOMMENDED P.C. BOARD LAYOUT

ADD NOTE 7.	EC NO: S2008-0335	2007/11/27
DRWN:SKANG	CHKD:ATSEE	2007/11/30
APPR:MLONG		2007/12/03
REV	DESCRIPTION	
D1		

QUALITY SYMBOLS ▽=0 ▽=0	GENERAL TOLERANCES (UNLESS SPECIFIED)	DIMENSION STYLE MM/IN	SCALE NTS	DESIGN UNITS METRIC	THIRD ANGLE PROJECTION
	4 PLACES ± --- ± --- 3 PLACES ± --- ± .008 2 PLACES ± 0.20 ± --- 1 PLACE ± --- ± --- ANGULAR ± 3 °	DRAWN BY KSEE DATE 2003/05/08 CHECKED BY KCL ING DATE 2003/06/18 APPROVED BY SKTOH DATE 2003/06/18	TITLE MGRID SIDE ENTRY RECEPTACLE WITH VOID, SMT MOLEX INCORPORATED		
DRAFT WHERE APPLICABLE MUST REMAIN WITHIN DIMENSIONS	SEE TABLE	MATERIAL NO.	DOCUMENT NO. SD-87368-005	SHEET NO. 1 OF 2	
	SIZE A3	THIS DRAWING CONTAINS INFORMATION THAT IS PROPRIETARY TO MOLEX INCORPORATED AND SHOULD NOT BE USED WITHOUT WRITTEN PERMISSION			



CUSTOMER PULL OUT DIRECTION →

TAPE AND REEL ORIENTATION  
(NOT TO SCALE AND 22 CKT SHOWN FOR ILLUSTRATION ONLY)

NOTES:

- LEADER AND TRAILER TAPE
- PEELING OFF FORCE OF THE TOP TAPE: 20-80gf.  
(PEELING DIRECTION AS SHOWN IN FOLLOWING FIGURE)
- PACKAGING STANDARD IS AS PER EIA-481.
- TAPE & REEL QUANTITY = 750PCS/REEL

<b>ADD NOTE 7.</b> EC NO: S2008-0335 DRWNS:KANG 2007/11/27 CHKD:ATSEE 2007/11/30 APPR:MLONG 2007/12/03	<b>QUALITY SYMBOLS</b> ▽=0 ▽C=0	<b>GENERAL TOLERANCES (UNLESS SPECIFIED)</b> <table border="1"> <thead> <tr> <th></th> <th>mm</th> <th>INCH</th> </tr> </thead> <tbody> <tr> <td>4 PLACES</td> <td>± ---</td> <td>± ---</td> </tr> <tr> <td>3 PLACES</td> <td>± ---</td> <td>± .008</td> </tr> <tr> <td>2 PLACES</td> <td>± 0.20</td> <td>± ---</td> </tr> <tr> <td>1 PLACE</td> <td>± ---</td> <td>± ---</td> </tr> </tbody> </table>		mm	INCH	4 PLACES	± ---	± ---	3 PLACES	± ---	± .008	2 PLACES	± 0.20	± ---	1 PLACE	± ---	± ---	<b>DIMENSION STYLE</b> MM/IN	<b>SCALE</b> NTS	<b>DESIGN UNITS</b> METRIC	<b>THIRD ANGLE PROJECTION</b>
		mm	INCH																		
	4 PLACES	± ---	± ---																		
	3 PLACES	± ---	± .008																		
2 PLACES	± 0.20	± ---																			
1 PLACE	± ---	± ---																			
		DRAWN BY: KSEE DATE: 2003/05/08 CHECKED BY: KCLING DATE: 2003/06/18 APPROVED BY: SKTOH DATE: 2003/06/18	<b>MGRID</b> <b>SIDE ENTRY RECEPTACLE WITH VOID, SMT</b> <b>MOLEX INCORPORATED</b>																		
		MATERIAL NO. SKT0H DOCUMENT NO. SD-87368-005 SHEET NO. 2 OF 2																			
		<b>DRAFT WHERE APPLICABLE MUST REMAIN WITHIN DIMENSIONS</b>	<b>SEE TABLE</b>	THIS DRAWING CONTAINS INFORMATION THAT IS PROPRIETARY TO MOLEX INCORPORATED AND SHOULD NOT BE USED WITHOUT WRITTEN PERMISSION																	