

THIS DRAWING IS UNPUBLISHED. RELEASED FOR PUBLICATION JAN ,2006.

© COPYRIGHT 2006 BY TYCO ELECTRONICS CORPORATION. ALL RIGHTS RESERVED.

LOC	DIST	REVISIONS					
E	B	P	LTR	DESCRIPTION	DATE	DWN	APVD
		D		ECO-09-016840	10AUG2009	AM	BOB

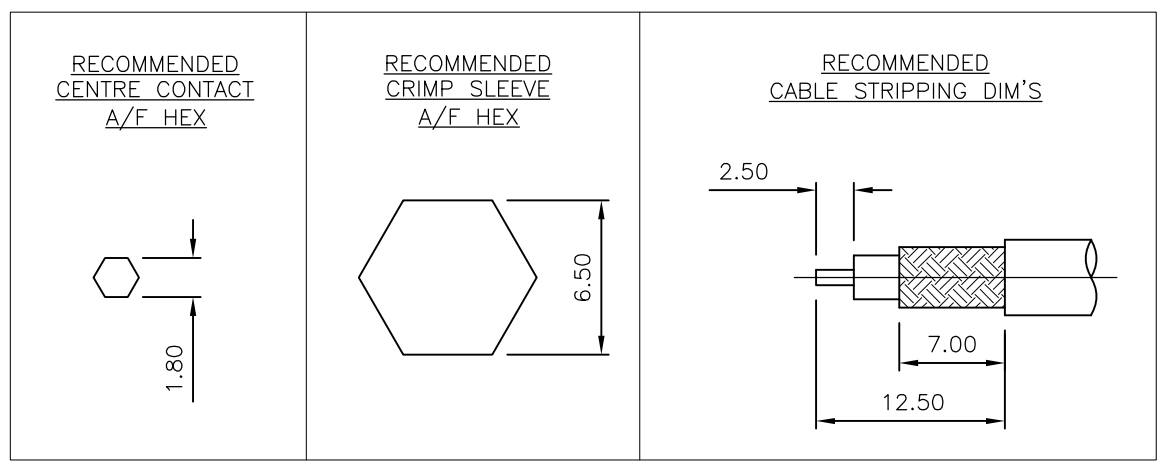
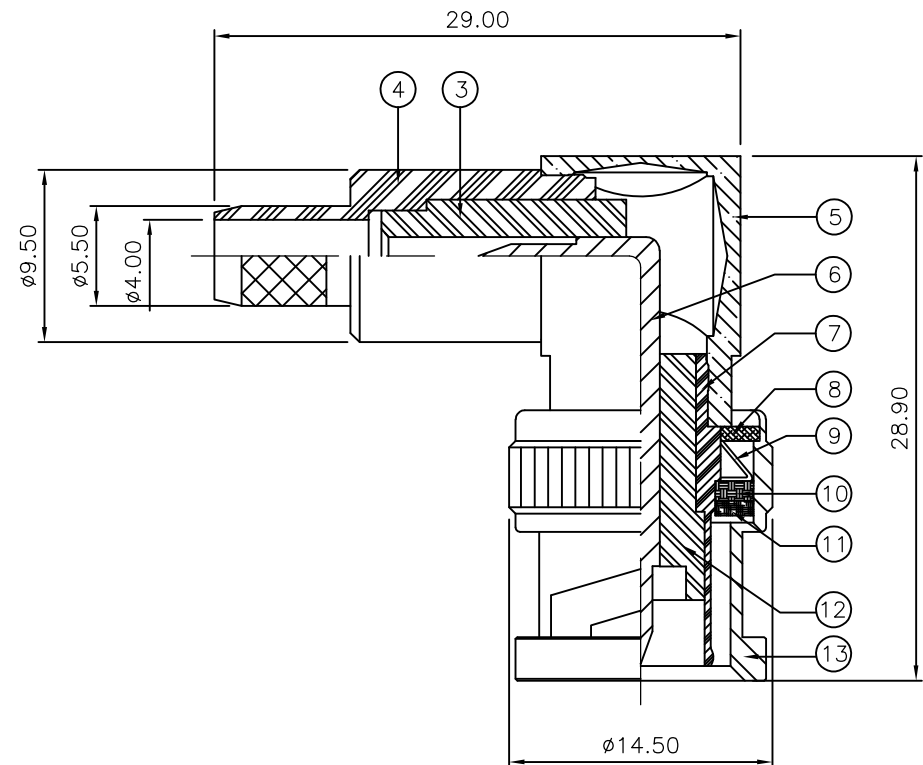
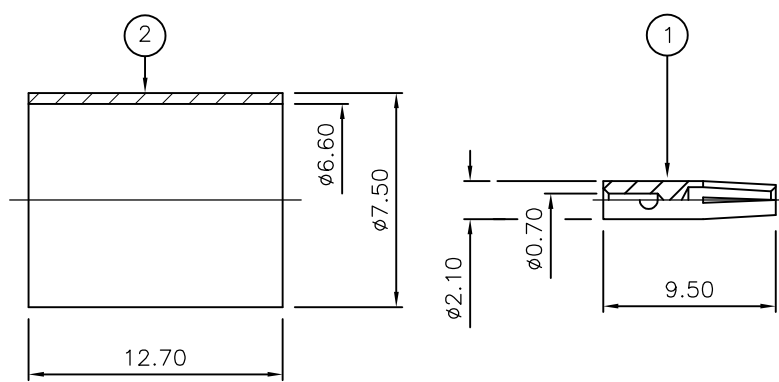
NOTES:

- 1 PACK IN ACCORDANCE WITH AMP SPEC 107-3275
- 2 100 TRAY PACK IN ACCORDANCE WITH AMP SPEC 107-3275
- 3 Au PLATING
- 4 Ni PLATING
- 5 THIS ITEM MUST BE WHITE
- 6 HAND TOOL : 9-1478240-0
- 7 DIE SET : 9-1478242-0
- 8 ELECTRICAL CHARACTERISTICS
 

FREQUENCY RANGE:	DC - 2 GHz
NOMINAL IMPEDANCE:	75 Ohm
INSULATION RESISTANCE:	5000 MOhm
WORKING VOLTAGE:	500 Volts RMS at Sea Level
DIELECTRIC WITHSTAND VOLTAGE:	1500 Volts RMS Max
CONTACT RESISTANCE:	
CENTRE CONTACT:	1.50 mOhm Max
OUTER CONTACT:	0.20 mOhm Max
VSWR @ 2GHz:	1.25:1 Max
INSERTION LOSS dB @ x 2 GHz:	0.30 Max
- 9 MECHANICAL CHARACTERISTICS
 

COUPLING RETENTION FORCE:	445N Min
CABLE RETENTION FORCE:	170N Min
DURABILITY:	500 Cycles Min
- 10 ENVIRONMENTAL CHARACTERISTICS
 

OPERATING TEMPERATURE:	-65 to +165 DegC
------------------------	------------------



OBSOLETE

QTY	QTY PER ASSY	MATERIAL	DESCRIPTION	ITEM
1		BRASS	SHELL	13
1		PTFE	INSULATION	12
1		SILICONE RUBBER	GASKET	11
1		BRASS	RETAINING RING	10
1		SPRING STEEL	SPRING	9
1		BRASS	WASHER	8
1		BRASS	BODY II	7
1		BRASS	CONTACT II	6
1		BRASS	BODY I	5
1		BRASS	CHASSIS	4
1		PTFE	INSULATION	3
1		BRASS	FERRULE	2
1		BRASS	CONTACT I	1
6	1	MATERIAL	DESCRIPTION	ITEM

QUANTITY PER ASSY      PARTS LIST

THIS DRAWING IS A CONTROLLED DOCUMENT.		DWN J.SANDWELL 25JAN06		Tyco Electronics Corporation Kunshan, Jiangsu, RPC 215321	
DIMENSIONS: mm		CHK S.PARLOW 25JAN06			
TOLERANCES UNLESS OTHERWISE SPECIFIED: 0 PLC ± - 1 PLC ± - 2 PLC ± - 3 PLC ± - 4 PLC ± - ANGLES ± - FINISH -		APVD F.WHEELER-KING 25JAN06		NAME	
		PRODUCT SPEC		BNC ELBOW PLUG CRIMP 75 OHM RG59B/U, 62A/U, 140/U, 210/U, URM90, KX6A, KX25, KX52, KX53	
MATERIAL SEE TABLE		APPLICATION SPEC 411-3247		SIZE A3	CAGE CODE 00779
		WEIGHT -		DRAWING NO C-1337525	
		CUSTOMER DRAWING		RESTRICTED TO -	SCALE NTS
				SHEET 1 OF 1	REV D