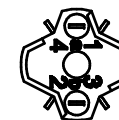
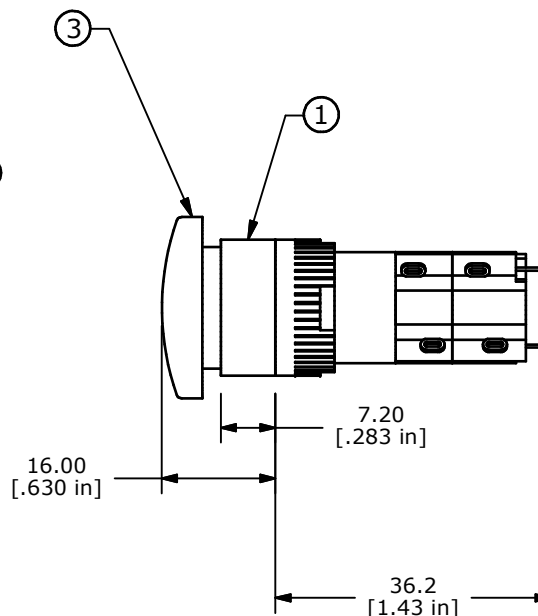
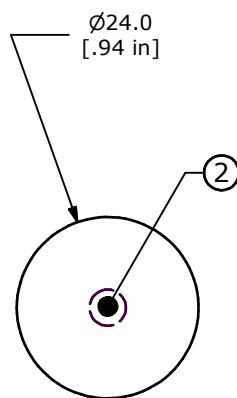
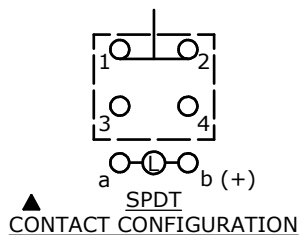


PARTS LIST			
ITEM	QTY	PART NUMBER	DESCRIPTION
1	1	F040027	D160AR12
2	1	F050411	110 VAC NEON - RED
3	1	F051212	50-012-41 MUSHROOM CAP RED (TRANSPARENT)

PANEL MOUNTING



NOTE:

1. ALL DIMENSIONS IN MM [INCH].
2. GENERAL TOLERANCE: X.X=±0.4
X.XX=±0.25
3. TERMINAL NUMBERS FOR REF ONLY.
4. RATING: 5A @ 250VAC UL, VDE
8A @ 125VAC UL, VDE
6A @ 24VDC
0.2A @ 250VDC
5. ELECTRICAL LIFE: 50,000 MAKE-AND-BREAK CYCLES
AT FULL LOAD min.
6. INSULATION RESISTANCE: 1,000 MEGA-OHM min.
7. OPERATING TEMP.: -25°C to +55°C
8. LAMP: 110 VAC (RED) NEON
9. PANEL THICKNESS = 0.5mm TO 5.0 mm
10. ▲ DENOTES CRITICAL PARAMETER.
11. PACKAGE: BOX / 20 PIECES PER BOX
12. DEGREE OF PROTECTION: IP40
13. TRAVEL: 3.00 mm.
14. 2002/95/EC (ROHS) COMPLIANT.



A	18885	RELEASED FOR PRODUCTION	2/23/10	BLR
REV	PCR NO	DESCRIPTION	DATE	BY

TITLE D160AR2FREDRED				
SCALE 2:1	DATE 2/23/2010	DR BLR	DWG XF0813P	REV A

THE INFORMATION CONTAINED IN THIS DOCUMENT IS PROPRIETARY TO E-SWITCH AND IS NOT TO BE COPIED OR TRANSFERRED