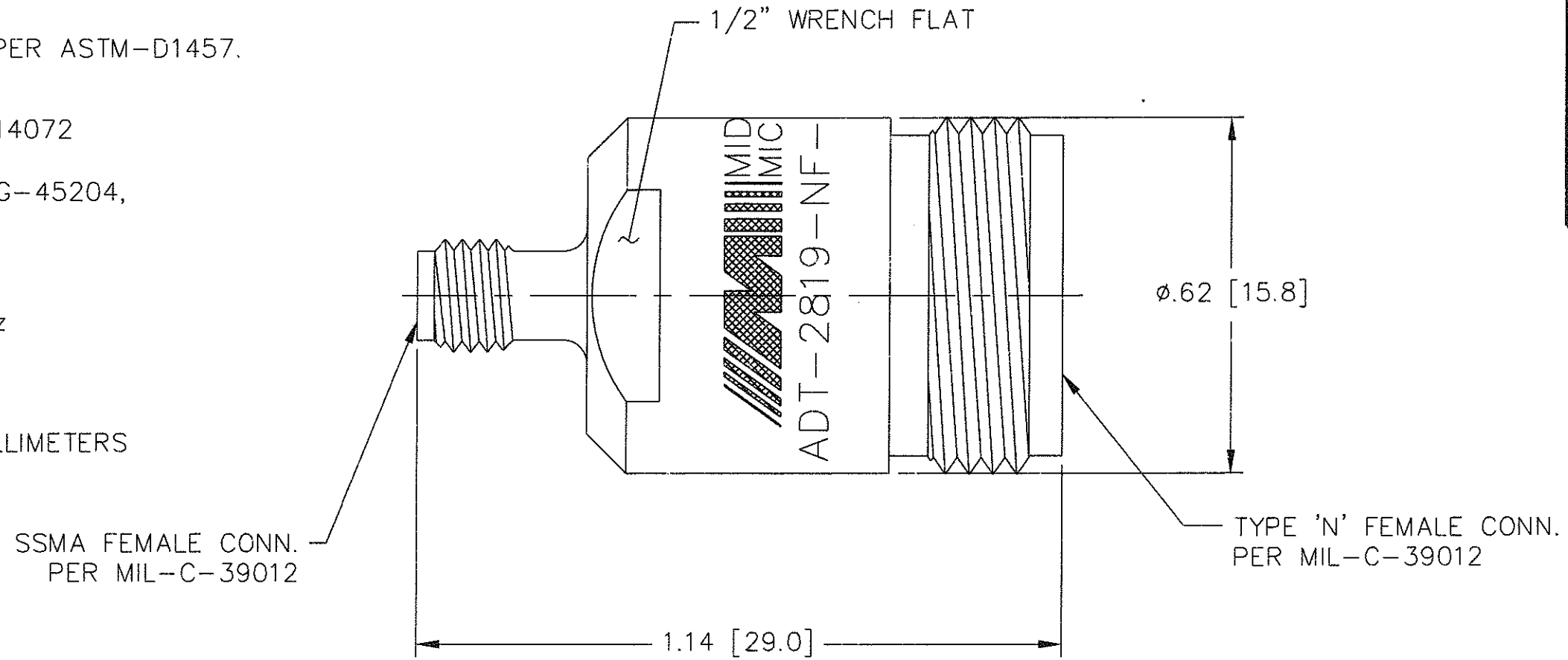


- NOTES:
- 1.0 MATERIALS:
    - 1.1 HOUSING: STAINLESS STEEL PER ASTM-A582, TYPE 303.
    - 1.2 CENTER CONTACT: BERYLLIUM COPPER ROD ALLOY C172, PER ASTM-B196.
    - 1.3 DIELECTRIC: PTFE FLUOROCARBON PER ASTM-D1457.
  - 2.0 PLATING:
    - 2.1 HOUSING: PASSIVATED PER MIL-F-14072 AND QQ-P-35
    - 2.2 CENTER CONTACT: GOLD PER MIL-G-45204, TYPE II, CLASS 2.
  - 3.0 ELECTRICAL SPECIFICATIONS:
    - 3.1 FREQUENCY RANGE: DC to 18.0 GHz
    - 3.2 VSWR: 1.20:1 MAX.
    - 3.3 IMPEDANCE: 50 OHMS
  - 4.0 DIMENSIONS IN BRACKETS ARE IN MILLIMETERS
  - 5.0 MARKING: MARK UNIT AS SHOWN (REF.: INK-04390-27-16)



REV.	DESCRIPTION	DATE
-	RELEASED	4/19/01

UNLESS OTHERWISE NOTED DIMENSIONS ARE IN INCHES AND TOLERANCES ARE:		FSCM NO. 34078		MIDWEST MICROWAVE	
3 PLACE DECIMALS ±.005		NOTICE: The information contained in this drawing is proprietary and must not be used without the permission of Midwest Microwave		TITLE ADAPTER SSMA FEMALE TO TYPE 'N' JACK	
2 PLACE DECIMALS ±.02					
FRACTIONS ±1/64		DRAWN/DATE M. STAFFORD 4/11/01		DRAWING NUMBER ADT-2819-NF-SSF-02	
PARALLELITY: T.I.R. _____		ENG./DATE <i>any R. 01</i>		SCALE: 4=1	
FLATNESS: T.I.R. _____		CHECKED/DATE		APPROVED/DATE	
CONCENTRICITY: T.I.R. _____		APPROVED/DATE		SHEET 1 of 1	
ANGLES AND PERPENDICULARITY: ±1°					