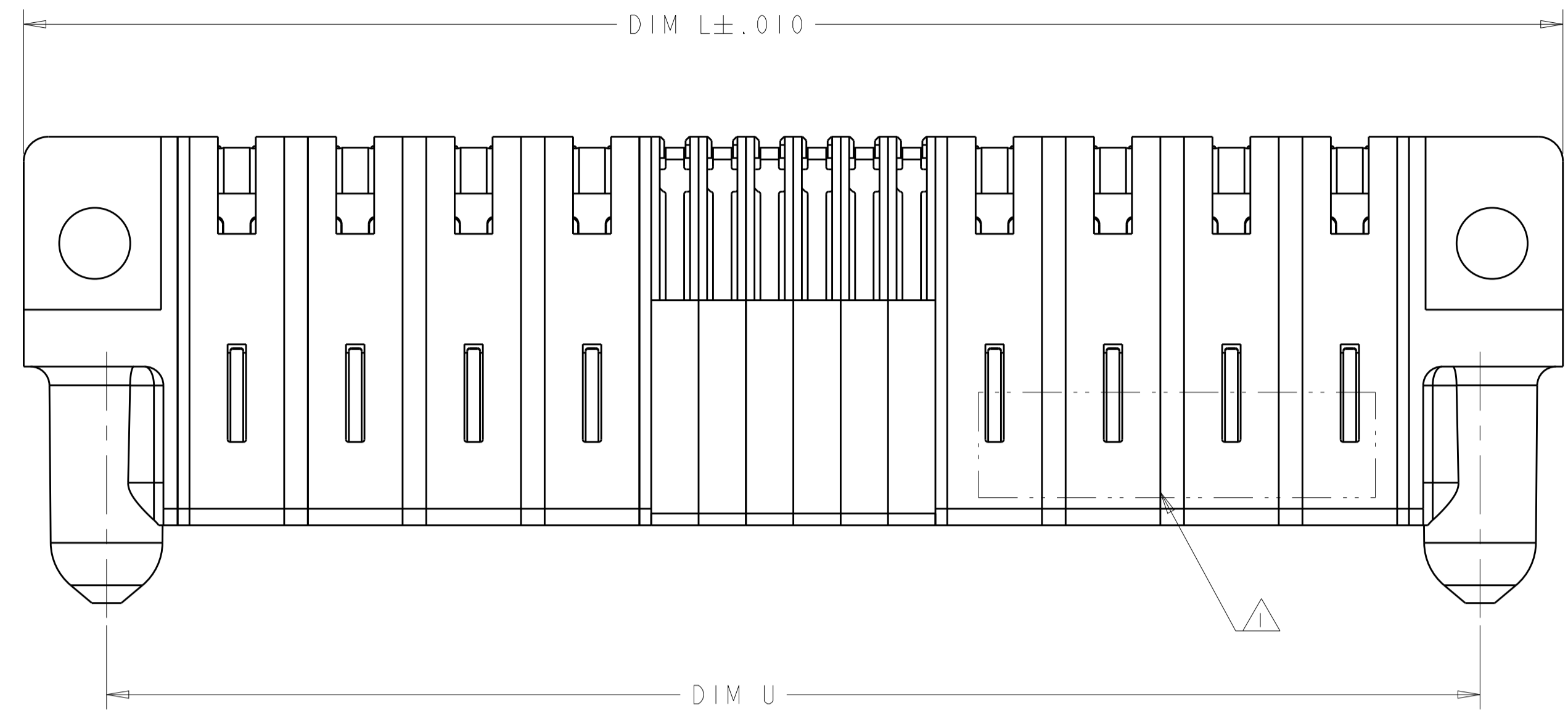
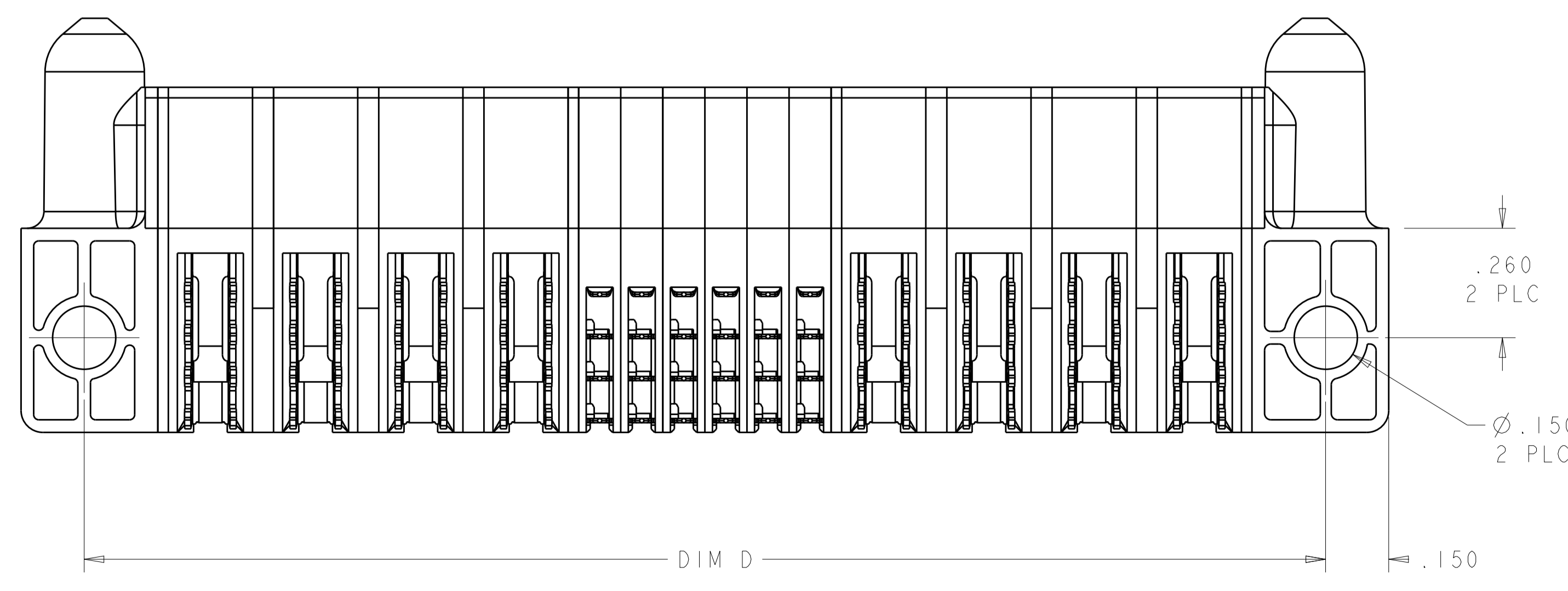
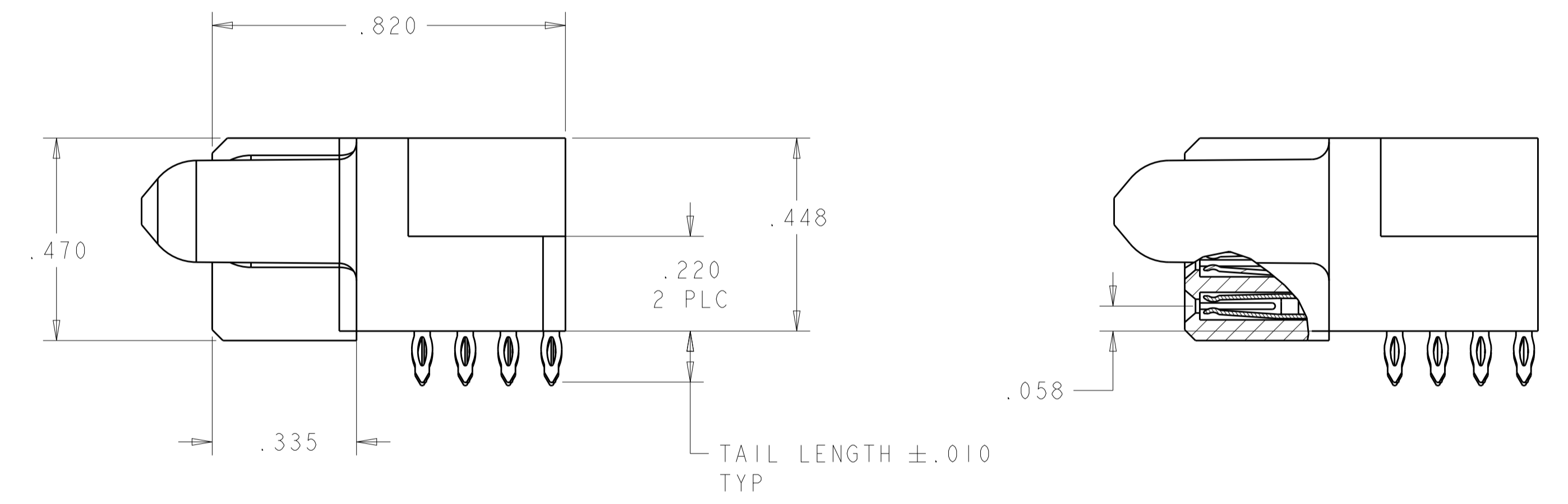
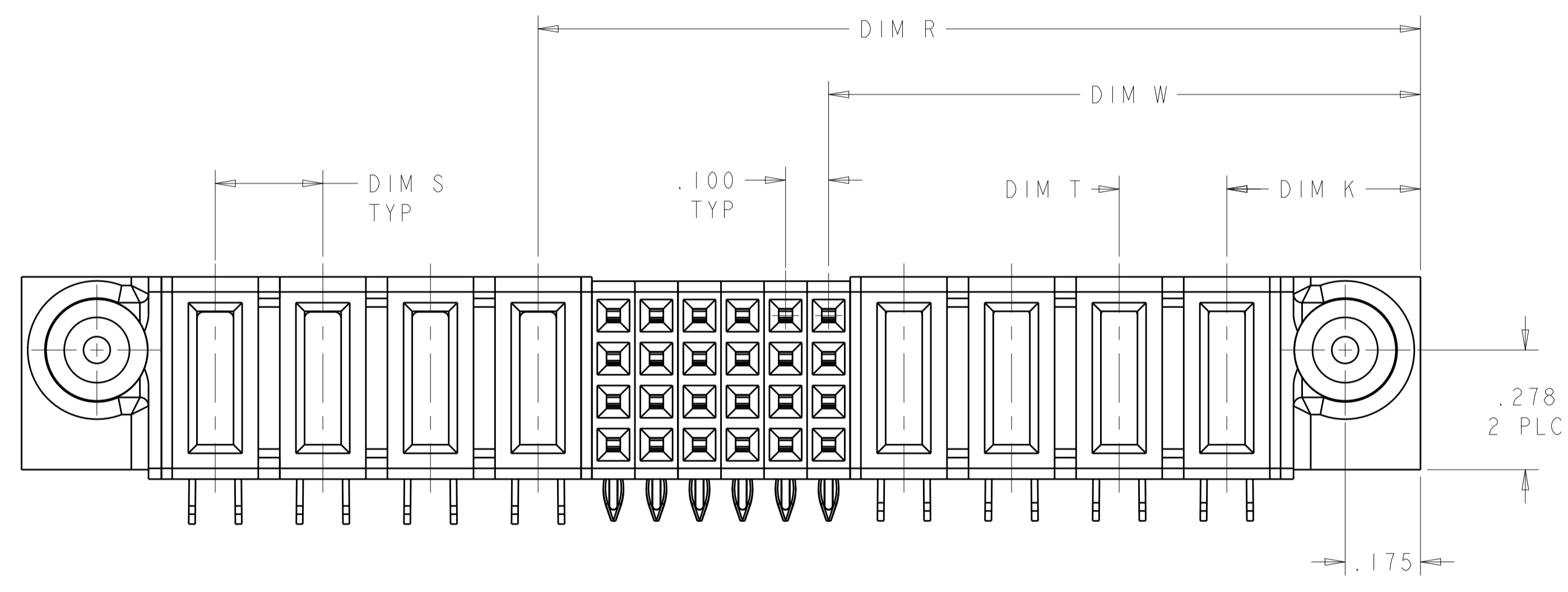


LOC	DIST	REVISIONS					
		P	LTN	DESCRIPTION	DATE	DWN	APVD
ES	00	A1		INITIAL RELEASED	17JUN2011	AY	SZ



- 1 PART NUMBER AND DATE CODE TO BE MARKED
- 2 MATERIAL: HOUSING - GLASS FILLED HIGH TEMP THERMO PLASTIC, UL94 V-0.
SIGNAL CONTACT - HIGH CONDUCTIVITY COPPER ALLOY
POWER CONTACT - HIGH CONDUCTIVITY COPPER ALLOY
- 3 CONTACT PLATING: NOBLE METAL PLATING ON CONTACT FUNCTIONAL AREA OF POWER AND SIGNAL CONTACTS
- 4 MECHANICAL CONNECTOR KEEP OUT ZONE.
- 5 DATUM AND BASIC DIMENSIONS ESTABLISHED BY CUSTOMER.
- 6 PCB - ALL HOLE DIAMETERS ARE FINISHED HOLE SIZES
- 7 PCB - $.0453 \pm .0010$ DRILLED HOLES PLATED WITH $.0003$ MIN SnPb OVER $.001$ TO $.003$ Cu PLATING TO ACHIEVE A $.040$ DIAMETER HOLE

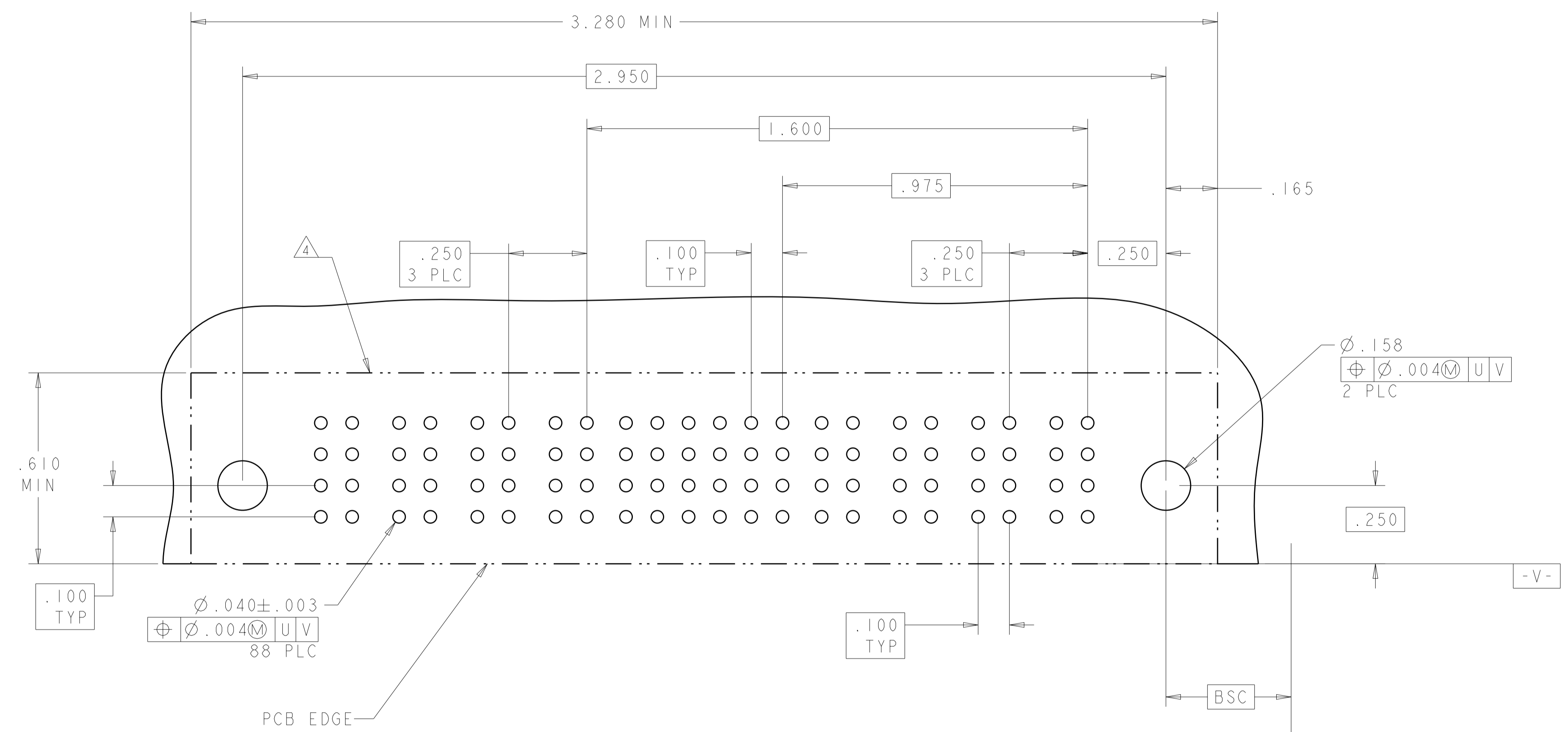


1.375	2.050	.250	.250	.450	2.900	2.950	3.250	4P + 24S + 4P	6450660-1
DIM W	DIM R	DIM S	DIM T	DIM K	DIM U	DIM D	DIM L	DESCRIPTION	PART NUMBER

THIS DRAWING IS A CONTROLLED DOCUMENT.		DWN	A. YANG	17JUN2011
DIMENSIONS: INCHES		CHK	S. ZHAO	17JUN2011
TOLERANCES UNLESS OTHERWISE SPECIFIED:		APVD	JH. CHEN	17JUN2011
0 PLC	±	NAME		
1 PLC	±.01	RIGHT ANGLE RECEPTACLE ASSEMBLY		
2 PLC	±.01	PRESS FIT .150 THR HOLE		
3 PLC	±.005	MULTI-BEAM XL		
4 PLC	±.0020	PRODUCT SPEC	SIZE	
ANGLES	±.020	108-1973	CAGE CODE DRAWING NO	
FINISH	±.020	APPLICATION SPEC	RESTRICTED TO	
	±.020	114-13038	A100779C=6450660	
	±.020	WEIGHT	SCALE 4:1 SHEET 1 OF 2 REV A2	
	±.020	CUSTOMER DRAWING		

LOC		DIST		REVISIONS			
ES	00	P	LTH	DESCRIPTION	DATE	DMN	APVD
		-		SEE SHEET 1			

PART NUMBER	ROWS	POWER				SIGNAL						POWER			
		P8	P7	P6	P5	6	5	4	3	2	1	P4	P3	P2	P1
6450660-1	D C B A	RS	RS	RS	RS	D	D	D	D	D	D	RS	RS	RS	RS
						C	C	C	C	C	C				
						B	B	B	B	B	B				
						A	A	A	A	A	A				
4P + 24S + 4P															



D	SIGNAL CONTACT, PRESS-FIT, TAIL LENGTH .119	D
C	SIGNAL CONTACT, PRESS-FIT, TAIL LENGTH .119	C
B	SIGNAL CONTACT, PRESS-FIT, TAIL LENGTH .119	B
A	SIGNAL CONTACT, PRESS-FIT, TAIL LENGTH .119	A
RS	POWER CONTACT, STD, PRESS FIT, TAIL LENGTH .119	-
CODE	DESCRIPTION	ROW

THIS DRAWING IS A CONTROLLED DOCUMENT.

DW	A. YANG	17JUN2011
CHK	S. ZHAO	17JUN2011
APVD	JH. CHEN	17JUN2011

STE TE Connectivity

NAME: RIGHT ANGLE RECEPTACLE ASSEMBLY
 PRESS FIT .150 THR HOLE
 MULTI-BEAM XL

PRODUCT SPEC: 108-1973
 APPLICATION SPEC: 114-13038

SIZE: A1
 CAGE CODE: 100779
 DRAWING NO: 6450660

MATERIAL: -
 FINISH: -
 WEIGHT: -

CUSTOMER DRAWING SCALE: 4:1 SHEET: 2 OF 2 REV: A2