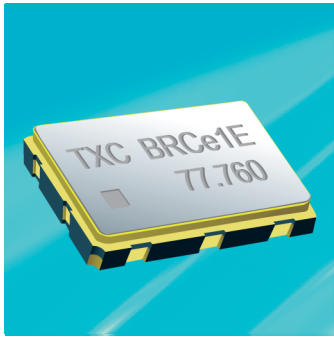


7 x 5 mm SMD CMOS VCXO BR SERIES



Features

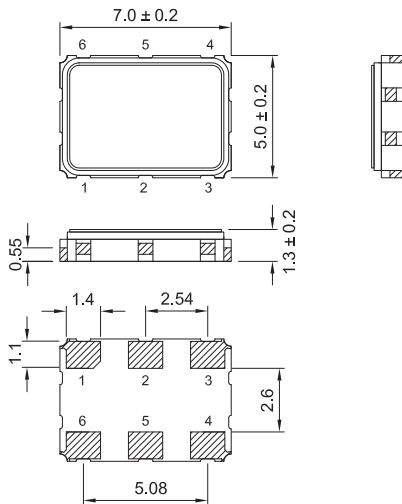
- > Voltage Controlled Crystal Oscillator (VCXO).
- > Fundamental solution.
- > CMOS output, output frequencies 60 MHz to 220 MHz.
- > Wide pull range and good linearity.
- > Excellent low phase noise and jitter.
- > Tri-State function available.
- > Main applications : SDH/ SONET.
- > RoHS Compliant / Pb Free.

Electrical Specifications

Item / Type	BR
Output Type	CMOS
Output Load	15 pF
Oscillation Mode	Fundamental
Supply Voltage	3.3 V
Frequency Range	60 ~ 220 MHz
Frequency Stability / Operating Temperature	± 50 ppm / - 40 ~ + 85 °C
Storage Temperature Range	- 55 ~ + 125 °C
Voltage Vol (Max.) / Voh (Min.)	0.1 VDD / 0.9 VDD
Rise (Tr) / Fall (Tf) Time (20 % ~ 80 %)	5 ns Max.
Supply Current	60 mA Max.
Symmetry	45 ~ 55 %
Start-up Time	10 ms Max.
Absolute Pulling Range (APR) *	± 100 ppm Min. or specify
Nominal Control Voltage	0.5 VDD
Control Voltage Range	0 ~ VDD
Linearity	± 10% Max.
Phase Jitter (12 KHz ~ 20 MHz)	1ps Max.

* APR=(Pull Range) - (Degrations due to initial tolerance, operating temperature, supply voltage variation and aging)

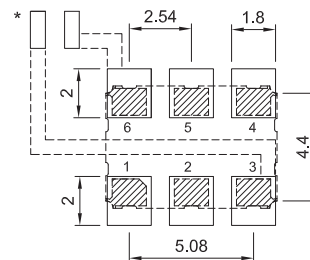
Dimensions



PAD FUNCTION:
 1:CONTROL VOLTAGE
 2:ENABLE CONTROL
 3:GND
 4:OUT
 5:NC
 6:VDD

Suggested Layout

*:External high frequency power supply decoupling required.



Units:mm

Remark : Specification subject to change without prior notice. Please confirm with our sales.