

DESCRIPTION: 15 POS HIGH DENSITY OVER (2) PS/2

**SPECIFICATIONS:**

**ELECTRICAL:**

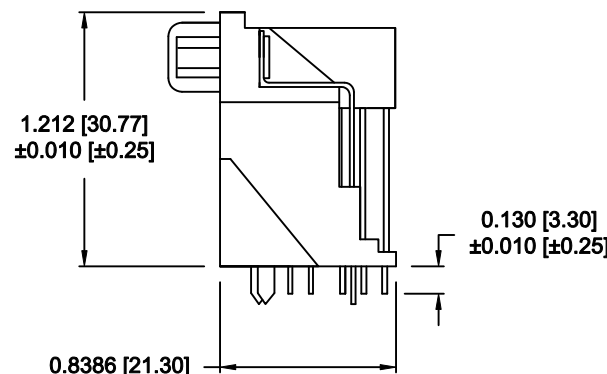
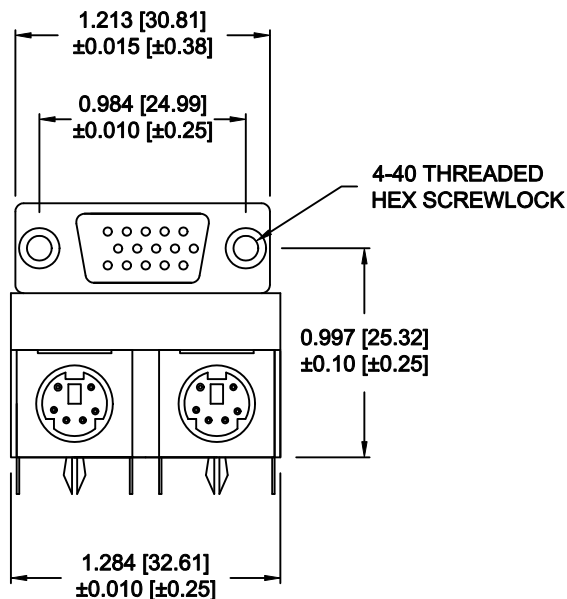
CURRENT RATING: 3 AMPS  
 INSULATOR RESISTANCE: 5,000 MegOHMS Min.  
 DIELECTRIC WITHSTANDING: 1,00VAC FOR 60SEC.  
 CONTACT RESISTANCE: 25MilliOHMS Max.  
 OPERATING TEMPERATURE: -55° ~ +105° C

**MATERIAL:**



CONTACTS: BRASS  
 INSULATOR: NYLON 9T, UL94V-0  
 PROCESS TEMPERATURE: 230°C  
 HIGH DENSITY D-SUB: BLUE  
 MINI-DIN = LEFT PORT: PURPLE  
 RIGHT PORT: GREEN  
 SHELL: COLD ROLL STEEL

**PLATING:**

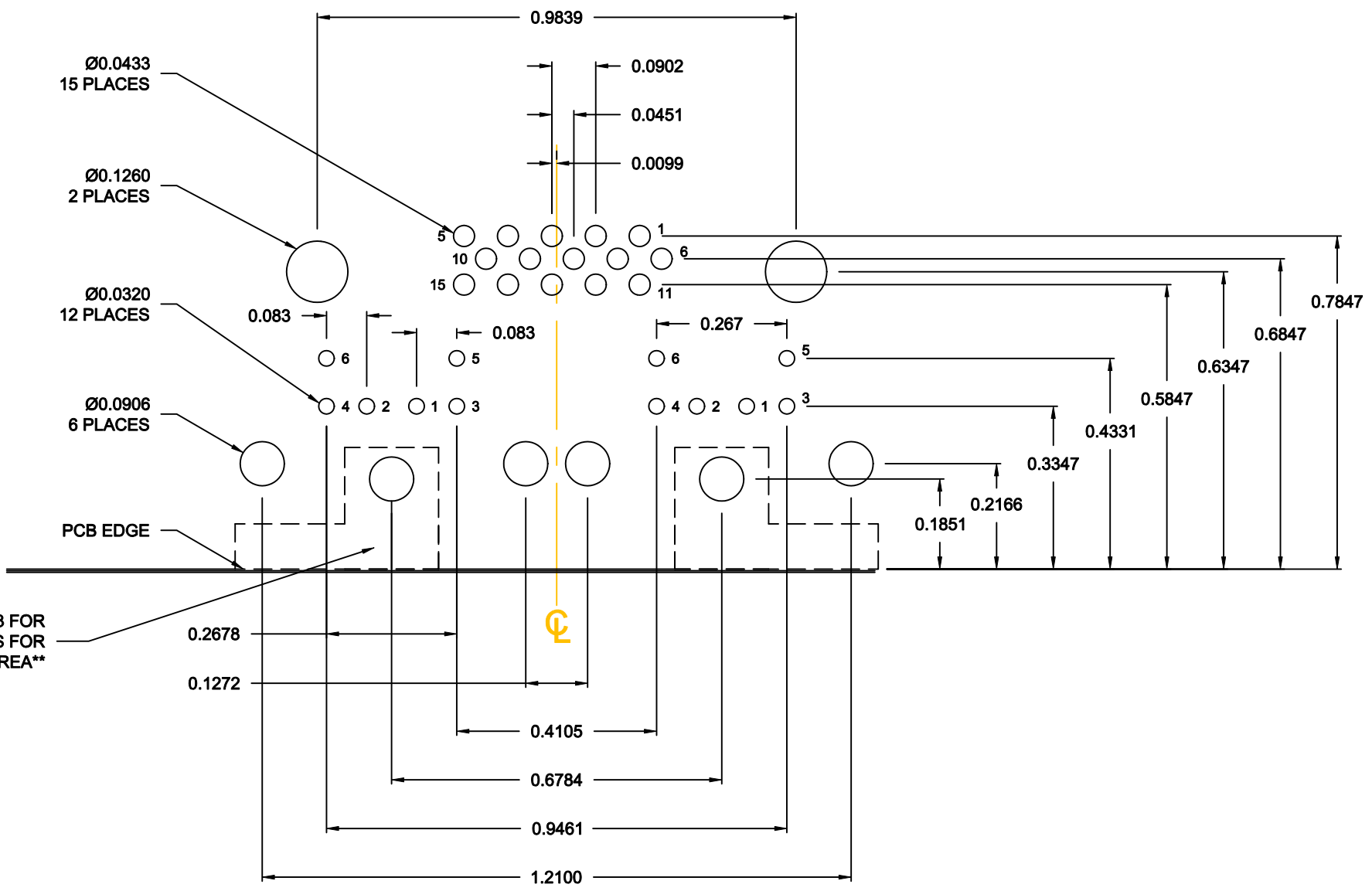
CONTACTS: GOLD FLASH  
 SHELL: NICKEL




DO NOT SCALE FROM DRAWING

	THESE DRAWINGS AND SPECIFICATIONS ARE THE PROPERTY OF NorComp AND SHALL NOT BE REPRODUCED, COPIED OR USED AS THE BASIS FOR THE MANUFACTURE OF SALE OF APPARATUS WITHOUT WRITTEN PERMISSION.	DRAWN: PAM JENKINS	DATE: 11-15-05	
		CHECKED:	DATE:	
		SCALE: 1 : 1	SHEET 1 OF 4	REV 7
		DWG NO. 999-H15-PS2L571		

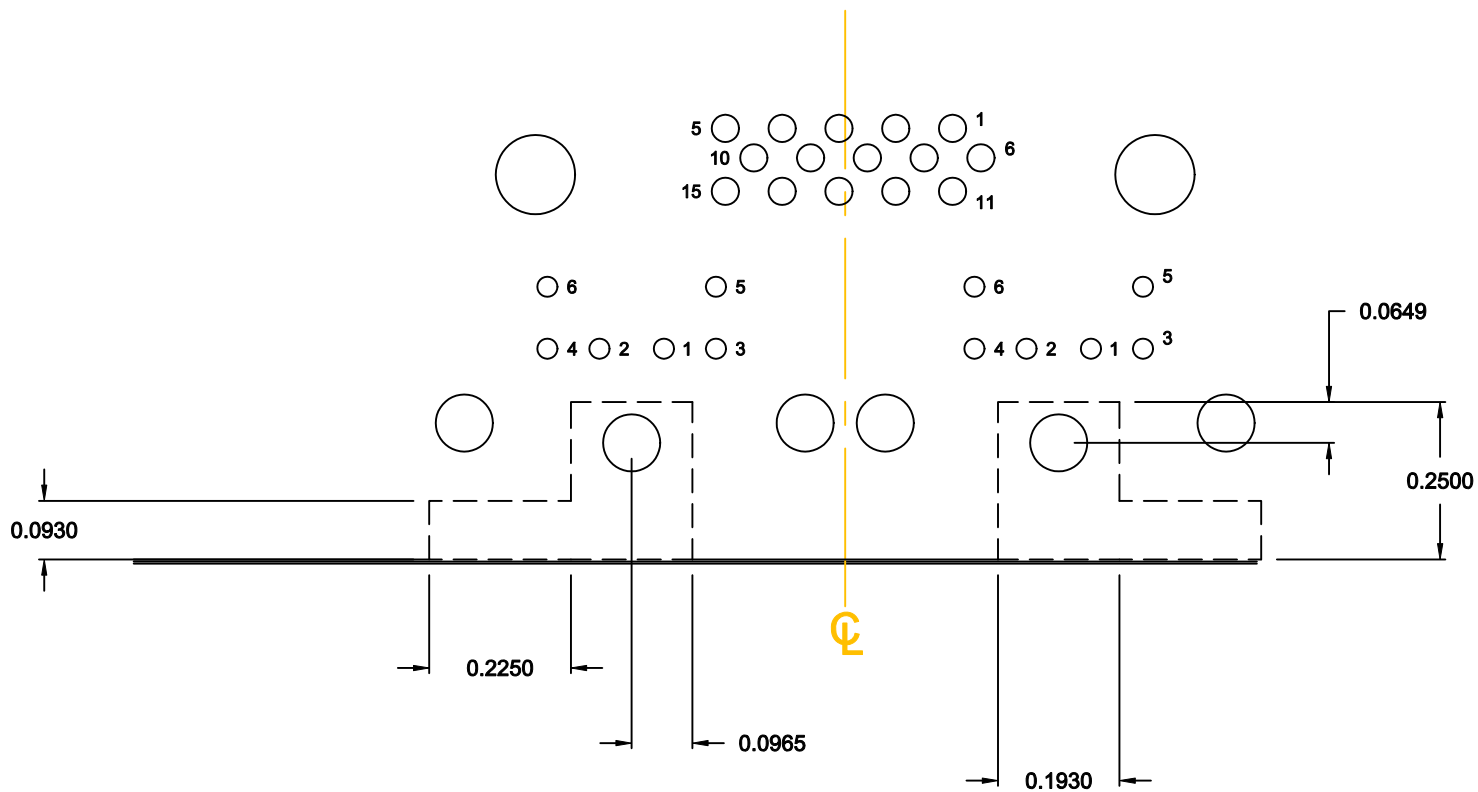
RoHS COMPLIANT



DO NOT SCALE FROM DRAWING

	THESE DRAWINGS AND SPECIFICATIONS ARE THE PROPERTY OF NorComp AND SHALL NOT BE REPRODUCED, COPIED OR USED AS THE BASIS FOR THE MANUFACTURE OF SALE OF APPARATUS WITHOUT WRITTEN PERMISSION.		DRAWN: <b>PAM JENKINS</b>	DATE: <b>11-15-05</b>
			CHECKED:	DATE:
<h1>NorComp</h1>		SCALE: <b>1 : 1</b>	SHEET <b>2</b> OF <b>4</b>	REV <b>7</b>
		DWG NO. <b>999-H15-PS2L571</b>		

RoHS COMPLIANT



DO NOT SCALE FROM DRAWING



THESE DRAWINGS AND SPECIFICATIONS ARE THE PROPERTY OF NorComp AND SHALL NOT BE REPRODUCED, COPIED OR USED AS THE BASIS FOR THE MANUFACTURE OF SALE OF APPARATUS WITHOUT WRITTEN PERMISSION.

DRAWN: PAM JENKINS

DATE: 11-15-05

CHECKED:

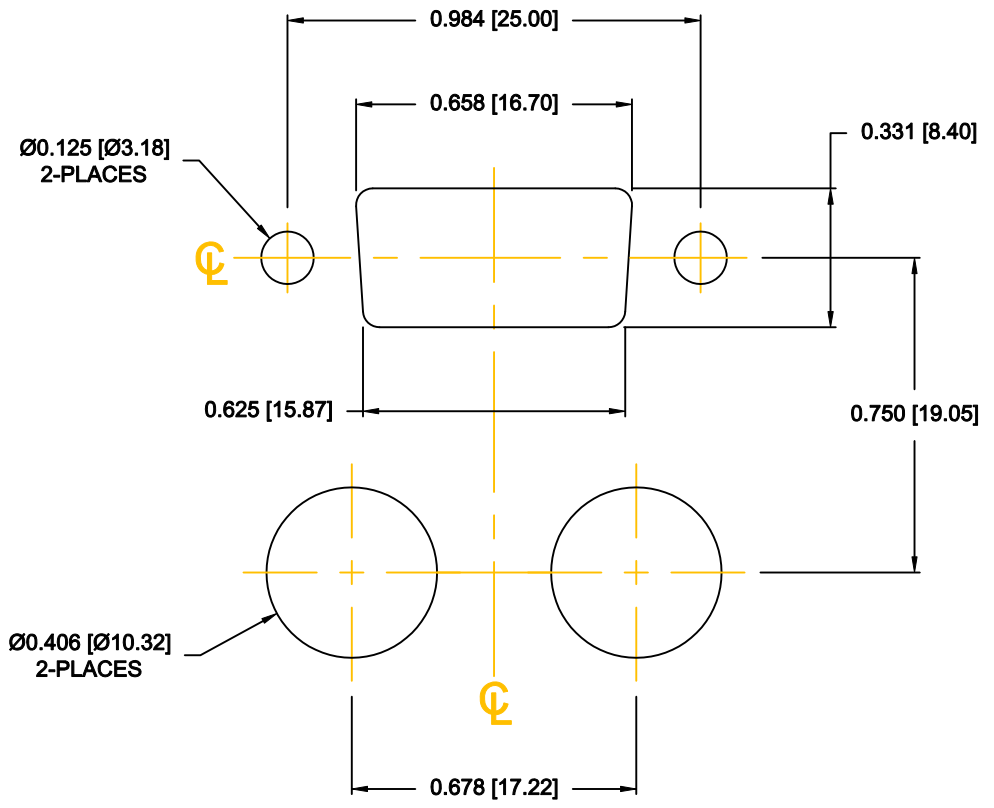
DATE:

**NorComp**


SCALE: 1 : 1      SHEET 3 OF 4      REV 7

DWG NO. 999-H15-PS2L571

RoHS COMPLIANT



DO NOT SCALE FROM DRAWING

	THESE DRAWINGS AND SPECIFICATIONS ARE THE PROPERTY OF NorComp AND SHALL NOT BE REPRODUCED, COPIED OR USED AS THE BASIS FOR THE MANUFACTURE OF SALE OF APPARATUS WITHOUT WRITTEN PERMISSION.		DRAWN: <b>C. SMITH</b>	DATE: <b>08-31-06</b>
			CHECKED:	DATE:
<h1>NorComp</h1>		SCALE: <b>2 : 1</b>	SHEET <b>4</b> OF <b>4</b>	REV <b>7</b>
		DWG NO. <b>999-H15-PS2L571</b>		

RoHS COMPLIANT