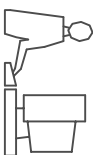
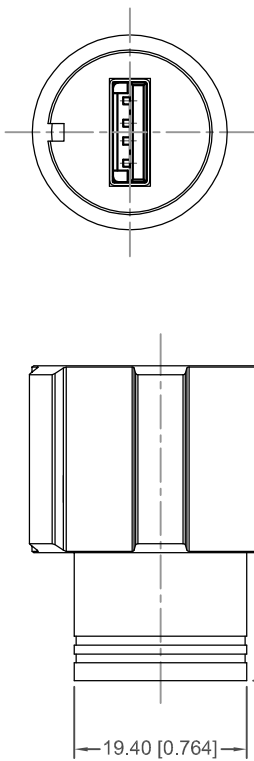


TOLERANCE UNLESS OTHERWISE SPECIFIED IN MM:  
 0.0 ± 0.20  
 0.00 ± 0.10  
 0.000 ± 0.05

THIS IS A C.A.D. GENERATED DRAWING  
 DO NOT MAKE MANUAL REVISIONS TO MASTER.

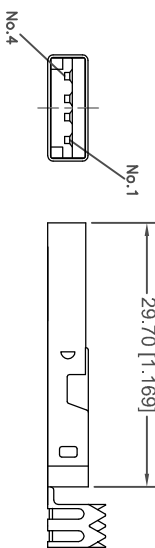
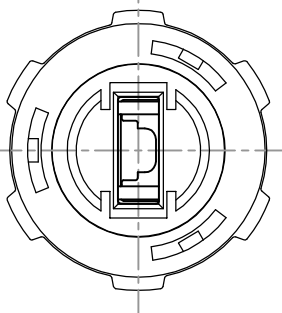
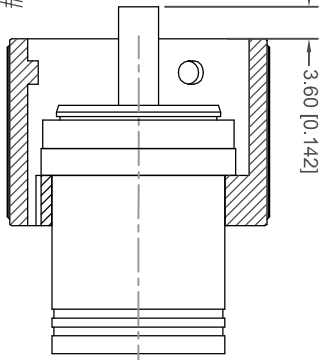
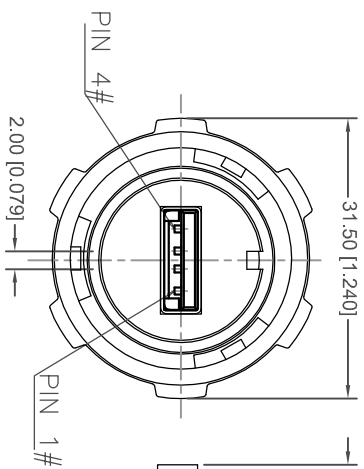


ISSUE NUMBER	ORIGINAL	①
COLOR WHITE WAS BLACK		
ADD NOTES 3 & 4		②
R.STAMONICA		JUN.18/2014

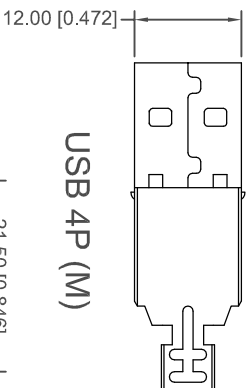


**1. MATERIAL :**

- 1-1. EXTERNAL HOUSING : PBT UL94V-0 ; COLOR : BLACK
- 1-2. EXTERNAL NUT : PBT UL94V-0 ; COLOR : BLACK
- 1-3. O-RING : SILICONE ; COLOR : BROWN
- 1-4. USB :
  - 1-4-1. HOUSING : PBT UL94V-0 ; COLOR : WHITE
  - 1-4-2. CONTACT : PHOSPHOR BRONZE.
  - 1-4-3. SHELL : SPTe



USB 4P (M)



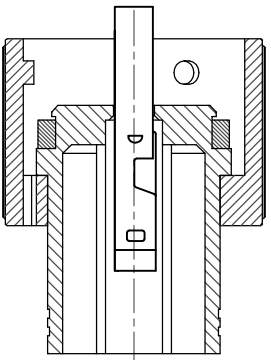
29.70 [1.169]

6.48 [0.255]

21.50 [0.846]

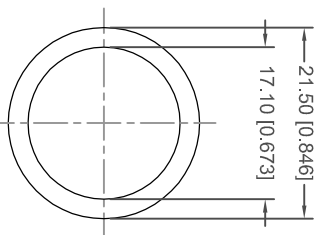
17.10 [0.673]

3.20 [0.126]



**2. FINISH :**

- 2-1. CONTACT : GOLD 3u" ON CONTACT AREA  
SOLDER TAILS: TIN 100u"
- 2-2. SHELL: NICKEL OVER ALL  
UNDER PLATE : NICKEL PLATING
- 3. ELECTRICAL SPECIFICATIONS:
  - 3-1. RATED CURRENT : 1A
  - 3-2. RATED VOLTAGE : 30V
  - 3-3. WATER PROOF : IP67
- 4. ENVIRONMENTAL:
  - 4-1. OPERATING TEMPERATURE : -20°C-85°C

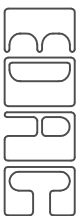


O-RING



THIS SERIES FULLY CONFORMS TO THE EUROPEAN UNION DIRECTIVES 2002/95/EC AND 2002/96/EC FOR RoHS COMPLIANCY.

**WATERPROOF USB TYPE A, 4P (MALE)**



EDAC INC  
 TORONTO, ONTARIO  
 CANADA

YOUR CONNECTION TO QUALITY & SERVICE

THESE DRAWINGS AND SPECIFICATIONS ARE THE PROPERTY OF EDAC INC. AND SHALL NOT BE REPRODUCED OR COPIED OR USED AS THE BASIS FOR THE MANUFACTURE OR SALE OF APPARATUS WITHOUT WRITTEN PERMISSION.

ACAD REFERENCE NO.: 690-W04-260-013

DRAWN: R.STAMONICA DATE: APR.07/2014

CHECKED: DATE:

PART NUMBER 690-W04-260-013 SHEET 1 OF 1

DRAWING NUMBER 690-W04-260-013 ISSUE 2