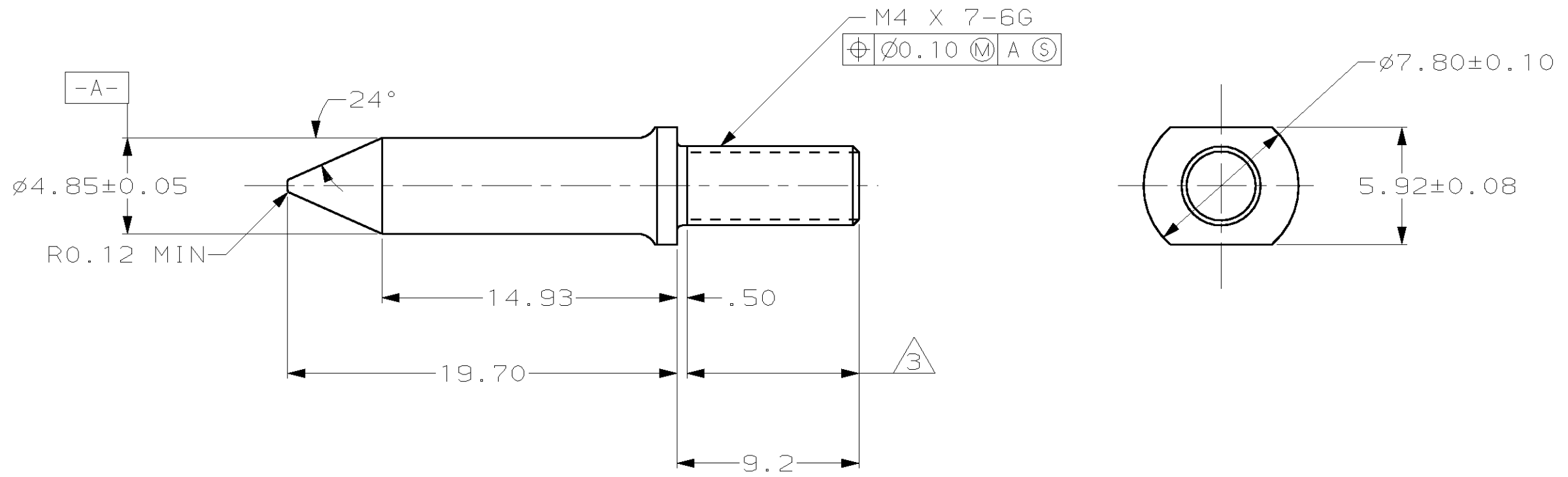


THIS DRAWING IS UNPUBLISHED. RELEASED FOR PUBLICATION, 19 .  
 © COPYRIGHT 19 BY AMP INCORPORATED. ALL RIGHTS RESERVED.

LOC	DIST	REVISIONS			
P	LTR	DESCRIPTION	DATE	DWN	APVD
AD	47	0	RELEASED -3	-	-
		A	REV PER EC 0512-0044-01	25 OCT 01	BC GS

- ① MATERIAL: STAINLESS STEEL.
- ② FINISH: PASSIVATE.
- ③ LOCTITE DRI-LOC 204 APPLIED IN THIS AREA.
- ④ RECOMMENDED PC BOARD DRILLED HOLE IS 4.10±0.08.



646925-3  
 PART NUMBER

THIS DRAWING IS A CONTROLLED DOCUMENT.		DWN B. CARBO 28 JUN 01	Tyco Electronics Harrisburg, PA 17105-3608	
DIMENSIONS: mm		CHK G. SKIPPER 28 JUN 01		
TOLERANCES UNLESS OTHERWISE SPECIFIED:		APVD G. SKIPPER 28 JUN 01	NAME	
0 PLC ±- 1 PLC ±- 2 PLC ±0.13 3 PLC ±- 4 PLC ±- ANGLES ±0°30'		PRODUCT SPEC	GUIDE PIN, UNIVERSAL POWER MODULE	
MATERIAL ①		APPLICATION SPEC	SIZE	CAGE CODE
FINISH ②③		WEIGHT -	A300779	DRAWING NO
		CUSTOMER DRAWING	C-646925	RESTRICTED TO
		SCALE 4:1	SHEET 1 OF 1	REV A