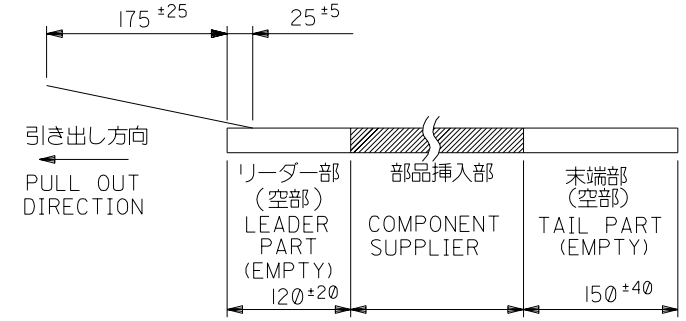
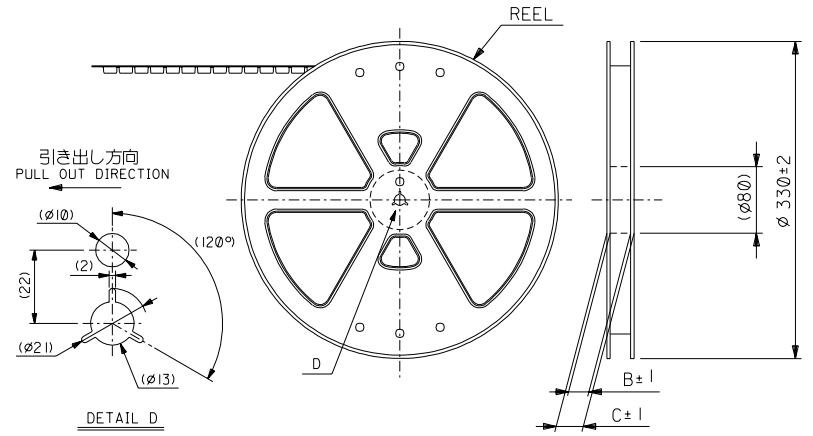


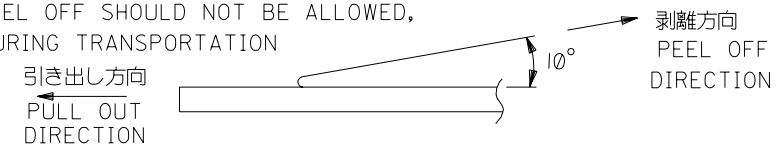
注記 NOTES

1. 梱包数量：1000個/リール NUMBER OF CONNECTORS:1000PCS/REEL
2. リードテープ長さ LEAD TAPE LENGTH
 トップテープ TOP TAPE
 リーダー部 LEADER PART トップテープ TOP TAPE
 未接着部 NON-BONDED PART



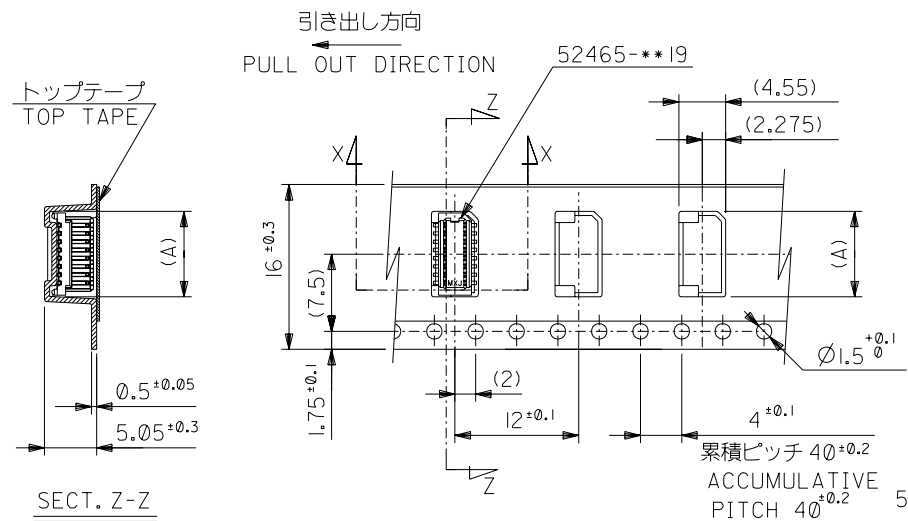
3. トップテープの剥離強度：(剥離方向は下図参照)
 0.1N~1.3N {10gf~130gf} 尚、本規格値は、出荷時に適用。
 (但し、輸送時に剥離が発生しない事。)

PEELING OFF FORCE OF TOP TAPE
 0.1N ~ 1.3N (10gf ~ 130gf) (PEELING DIRECTION AS SHOWN IN FOLLOWING FIG.)
 THIS REQUIREMENT SHOULD BE APPLIED AT SHIPMENT
 PEEL OFF SHOULD NOT BE ALLOWED, DURING TRANSPORTATION

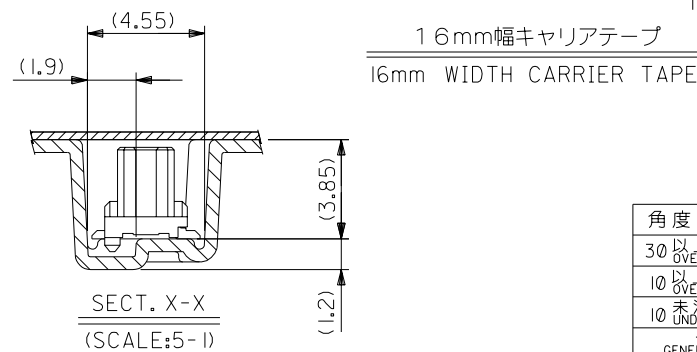


4. 材料 キャリアテープ：ポリプロピレン (PP)
 トップテープ：PET, PE, PEF
 リール：ポリスチレン (PS) <リサイクル材を含む>

MATERIAL
 CARRIER TAPE: POLYPROPYLENE
 TOP TAPE: PET, PE, PEF
 REEL: POLYSTYRENE (PS)
 <RECYCLE MATERIAL CONTAINED>
 5. 本製品は52465-**-90の鉛フリー品である。
 THIS PRODUCT IS LEAD FREE OF 52465-**-90



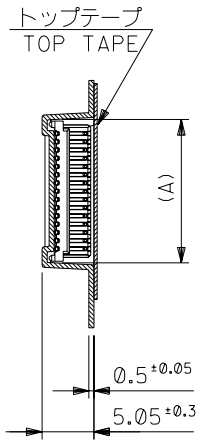
SECT. Z-Z



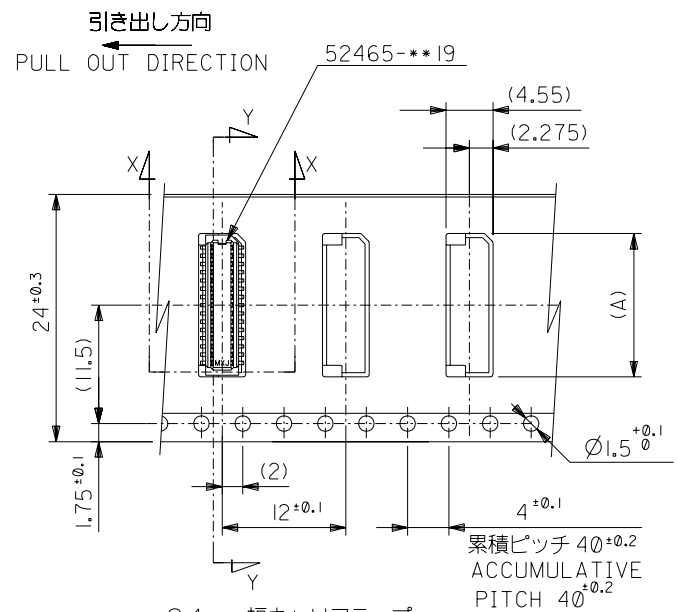
SECT. X-X
 (SCALE:5-1)

16	21.4	17.4	9.1	52465-1870	18		
			8.3	52465-1670	16		
			7.5	52465-1470	14		
			6.7	52465-1270	12		
			5.9	52465-1070	10		
キャリアテープ幅 CARRIER TAPE WIDTH			C	B	(A)	MATERIAL. NO.	極数 CIRCUIT

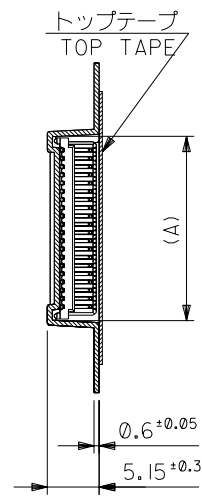
52465-**-70		MODEL NO.		材料 MATERIAL		注記参照 SEE NOTES		molex MOLEX-JAPAN CO.,LTD. 日本モレックス株式会社	
				仕上げ FINISH		—		REVISE ONLY ON CAD SYSTEM	
				適用電線範囲 WIRE RANGE		—		TITLE 名称	
				被覆外径 INS. RANGE		—		0.8 B+B Conn Hsg Assy	
				DRAWN BY '04/02/16 H.SHIMABUKURO		CHK'D BY '04/02/16 K.TOJO		SMT W/Boss Embstp Pkg	
				DR. '04/02/16 M.SASAO		尺 度 SCALE		—	
角度 ANGLE		±3°		新規作成 (0204-2322)		DATE '04/2/16		DWG. NO. (SHEET 1 OF 2) REV	
30°以上 OVER		±0.5		REL. ASFD				SD-52465-024 0	
10°以上 30°未満 OVER		±0.25		記号 LTR		REVISION RECORD			
10°未満 UNDER		±0.2		DR. CHK.		DATE			
一般公差 GENERAL TOLERANCES									



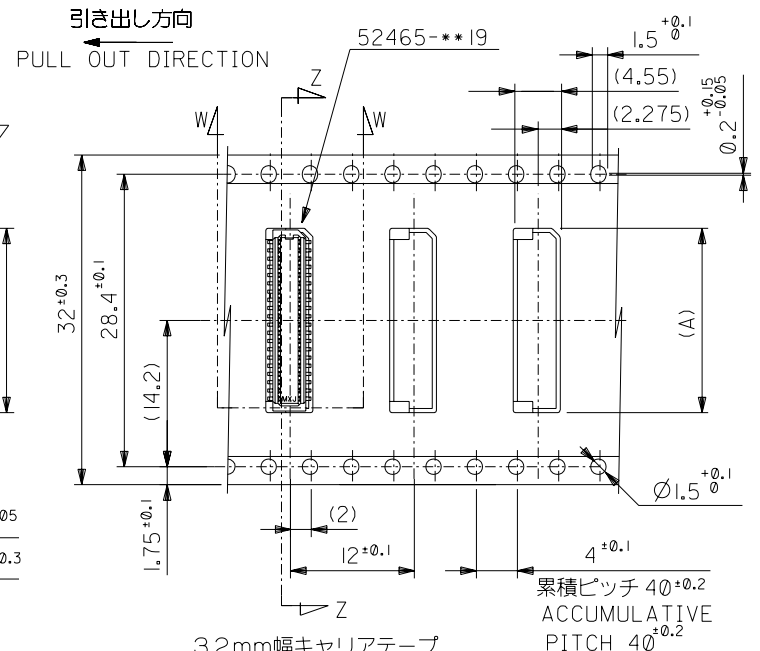
SECT. Y-Y



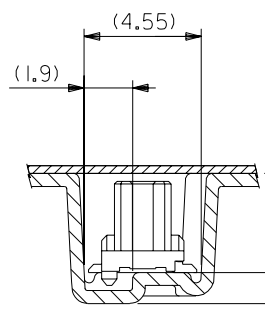
24mm幅キャリアテープ
24mm WIDTH CARRIER TAPE



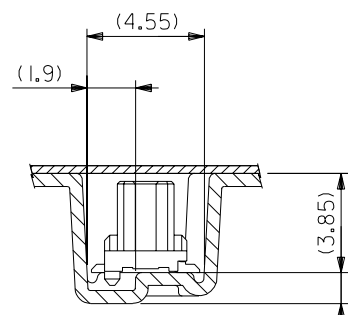
SECT. Z-Z



32mm幅キャリアテープ
32mm WIDTH CARRIER TAPE



SECT. X-X
(SCALE; 5:1)

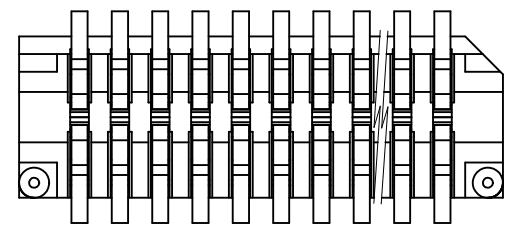
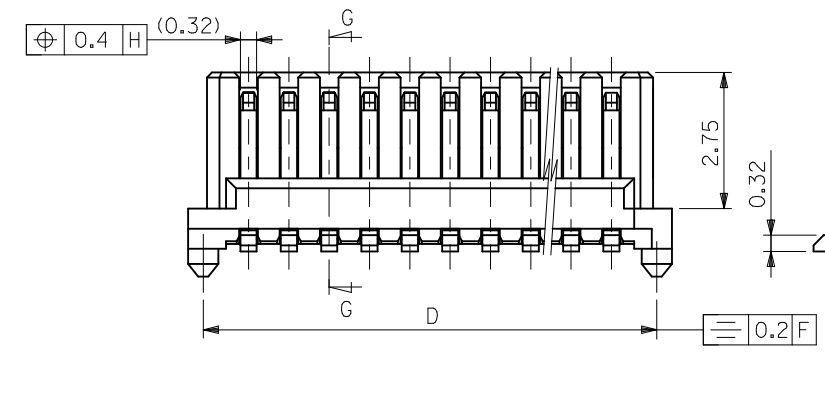
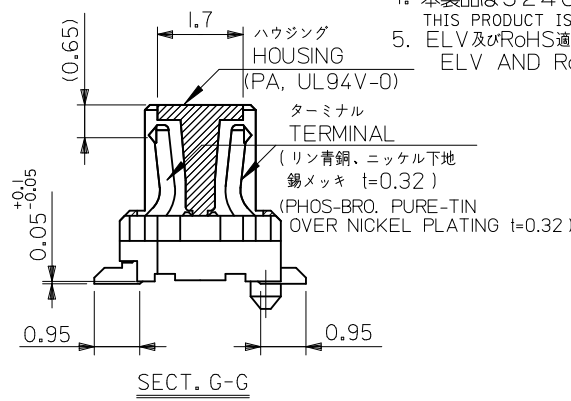
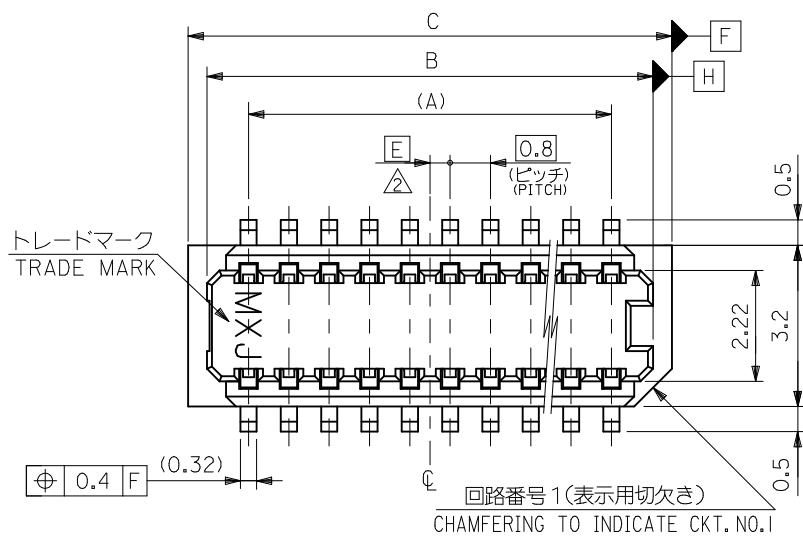


SECT. W-W
(SCALE; 5:1)

32	37.4	33.4	17.9	52465-4070	40
			17.1	52465-3870	38
24	29.4	25.4	16.3	52465-3670	36
			15.5	52465-3470	34
			14.7	52465-3270	32
			13.9	52465-3070	30
			13.1	52465-2870	28
			12.3	52465-2670	26
			11.5	52465-2470	24
			10.7	52465-2270	22
			9.9	52465-2070	20
			キャリアテープ幅 CARRIER TAPE WIDTH		
			MATERIAL NO.	極数 CIRCUIT	

52465-***70 MODEL NO.		材料 MATERIAL	
角度 ANGLE ±3°		SHEET 1 OF 2 参照 REFER TO SHEET 1 OF 2	
30以上 OVER ±0.5		仕上げ FINISH //	
10以上 30未満 UNDER ±0.25		適用電線範囲 WIRE RANGE //	
未満 10 UNDER ±0.2		被覆外径 INS. RANGE //	
一般公差 GENERAL TOLERANCES	記号 LTR	変更内容 REVISION RECORD	日付 DATE
	0	新規作成 (J2004-2322) RELEASED	04/26
		H.S.M.S.	
		DR. CHK.	日付 DATE
		M.SASAO	04/02/16
		APP'D BY	04/02/16
		M.SASAO	尺度 SCALE //

材料 MATERIAL		MATERIAL NO.	
SHEET 1 OF 2 参照 REFER TO SHEET 1 OF 2		MATERIAL NO.	
仕上げ FINISH //		極数 CIRCUIT	
適用電線範囲 WIRE RANGE //		MATERIAL NO.	
被覆外径 INS. RANGE //		極数 CIRCUIT	
DRAWN BY 04/02/16 H.SHIMABUKURO		CHK'D BY 04/02/16 K.TOJO	
DWG. NO. (SHEET 2 OF 2)		REV	
SD-52465-024		0	

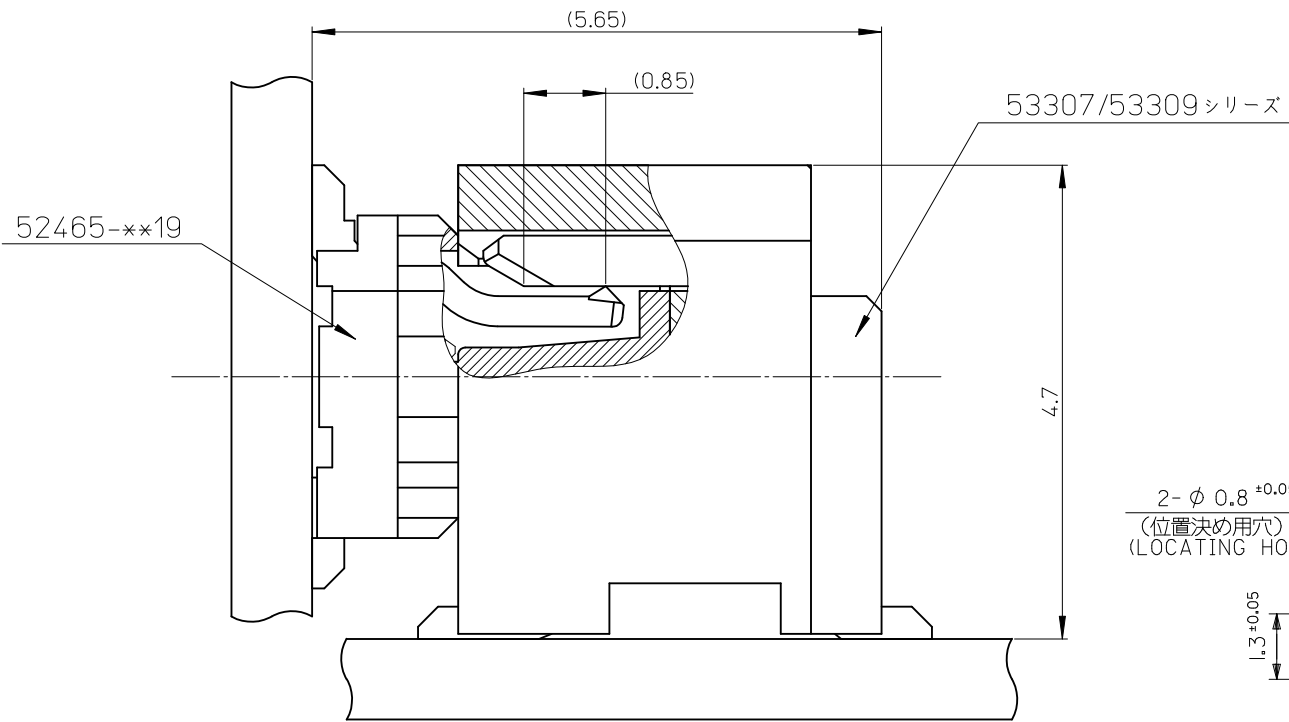


注記 NOTES

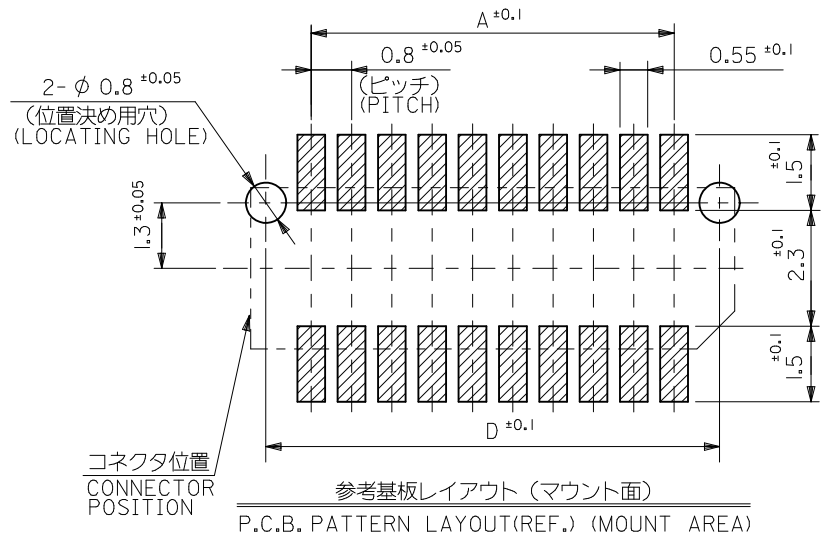
1. 嵌合相手：53307-シリーズ、53309-シリーズ
MATES WITH 53307,53309 SERIES.
2. ハウジングの C から隣接するターミナルの C 迄の位置を示す。
SHOW POSITION FROM C OF HOUSING TO C OF ADJACENT TERMINALS.
3. 一对の基板の嵌合に於いて、本製品を2個以上使用することは推奨できません。
MXJ DOES NOT RECOMMEND THE USAGE OF TWO OR MORE OF THESE CONNECTORS BETWEEN A SINGLE PAIR OF P. C. BOARD.
4. 本製品は52465-***17の鉛フリー品である。
THIS PRODUCT IS LEAD FREE OF 53465-***17.
5. ELV及びRoHS適合品
ELV AND RoHS COMPLIANT

0.4	17.0	17.6	16.85	15.2	52465-4070	52465-4019	40
0.8	16.2	16.8	16.05	14.4	-3870	-3819	38
0.4	15.4	16.0	15.25	13.6	-3670	-3619	36
0.8	14.6	15.2	14.45	12.8	-3470	-3419	34
0.4	13.8	14.4	13.65	12.0	-3270	-3219	32
0.8	13.0	13.6	12.85	11.2	-3070	-3019	30
0.4	12.2	12.8	12.05	10.4	-2870	-2819	28
0.8	11.4	12.0	11.25	9.6	-2670	-2619	26
0.4	10.6	11.2	10.45	8.8	-2470	-2419	24
0.8	9.8	10.4	9.65	8.0	-2270	-2219	22
0.4	9.0	9.6	8.85	7.2	-2070	-2019	20
0.8	8.2	8.8	8.05	6.4	-1870	-1819	18
0.4	7.4	8.0	7.25	5.6	-1670	-1619	16
0.8	6.6	7.2	6.45	4.8	-1470	-1419	14
0.4	5.8	6.4	5.65	4.0	-1270	-1219	12
0.8	5.0	5.6	4.85	3.2	52465-1070	52465-1019	10

REVISED EC NO: J2010-0755 DRWN:KTOYODA 2009/12/18 CHKD:SMARUYAMA 2010/03/24 APPR:MSASAO 2010/03/25	GENERAL TOLERANCES (UNLESS SPECIFIED)	DIMENSION STYLE MM ONLY	SCALE ---	DESIGN UNITS METRIC	THIRD ANGLE PROJECTION
	10 UNDER ±0.20	DRAWN BY HSHIMABUKURO	DATE '04/02/06	TITLE 0.8 BOARD TO BOARD CONN. HOUSING ASSY SMT	
	10 OVER 30 UNDER ±0.25	CHECKED BY KTOJO	DATE '04/02/06	MOLEX INCORPORATED	
	30 OVER ±0.30	APPROVED BY MSASAO	DATE '04/02/06	DOCUMENT NO. SD-52465-025	SHEET NO. 1 OF 2
ANGULAR ±3 °	DRAFT WHERE APPLICABLE MUST REMAIN WITHIN DIMENSIONS	MATERIAL NO. SEE TABLE	THIS DRAWING CONTAINS INFORMATION THAT IS PROPRIETARY TO MOLEX INCORPORATED AND SHOULD NOT BE USED WITHOUT WRITTEN PERMISSION		



有効嵌合長 (参考)
EFFECTIVE MATING LENGTH (REFERENCE)



参考基板レイアウト (マウント面)
P.C.B. PATTERN LAYOUT (REF.) (MOUNT AREA)

REVISED EC NO: J2010-0755 DRW:KTOYODA 2009/12/18 CHK'D:SMARUYAMA 2010/03/24 APPR:MSASAO 2010/03/25	GENERAL TOLERANCES (UNLESS SPECIFIED)		DIMENSION STYLE MM ONLY	SCALE ---	DESIGN UNITS METRIC	THIRD ANGLE PROJECTION
	10 UNDER	± 0.20	DRAWN BY HSHIMABUKURO	DATE '04/02/06	TITLE 0.8 BOARD TO BOARD CONN. HOUSING ASSY SMT	
	10 OVER 30 UNDER	± 0.25	CHECKED BY KTOJO	DATE '04/02/06	MOLEX INCORPORATED	
	30 OVER	± 0.30	APPROVED BY MSASAO	DATE '04/02/06	DOCUMENT NO. SD-52465-025	SHEET NO. 2 OF 2
DESCRIPTION D	ANGULAR ±3 °	DRAFT WHERE APPLICABLE MUST REMAIN WITHIN DIMENSIONS	MATERIAL NO. SEE TABLE	THIS DRAWING CONTAINS INFORMATION THAT IS PROPRIETARY TO MOLEX INCORPORATED AND SHOULD NOT BE USED WITHOUT WRITTEN PERMISSION		