



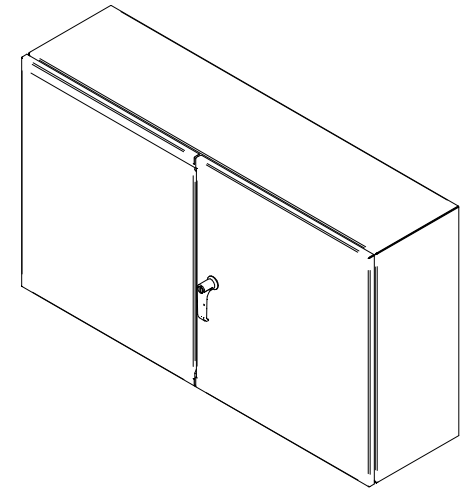
PART No. EN4TD244210LG

for more information visit

[www.hammg.com](http://www.hammg.com)

Data subject to change without notice

Isometric drawing Not to Scale



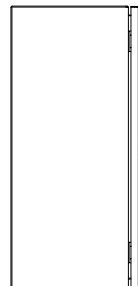
ISOMETRIC VIEW



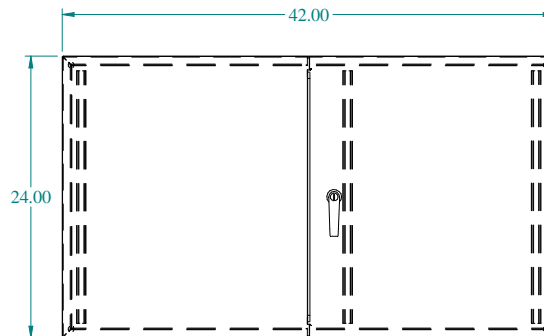
TOP VIEW



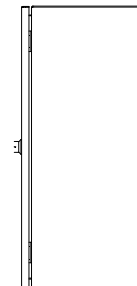
BACK VIEW



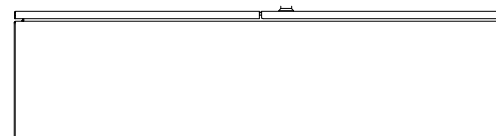
LEFT SIDE VIEW



FRONT VIEW



RIGHT SIDE VIEW



BOTTOM VIEW