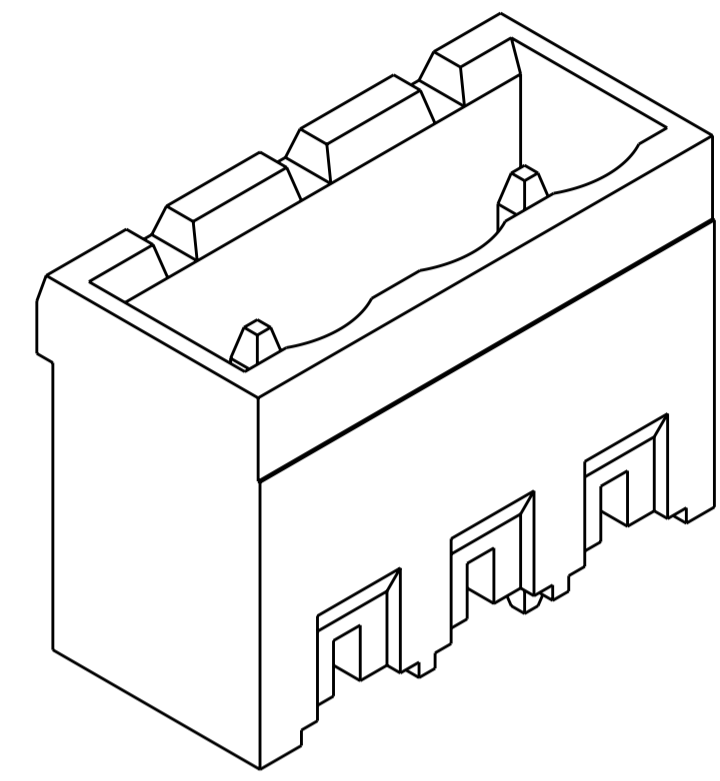
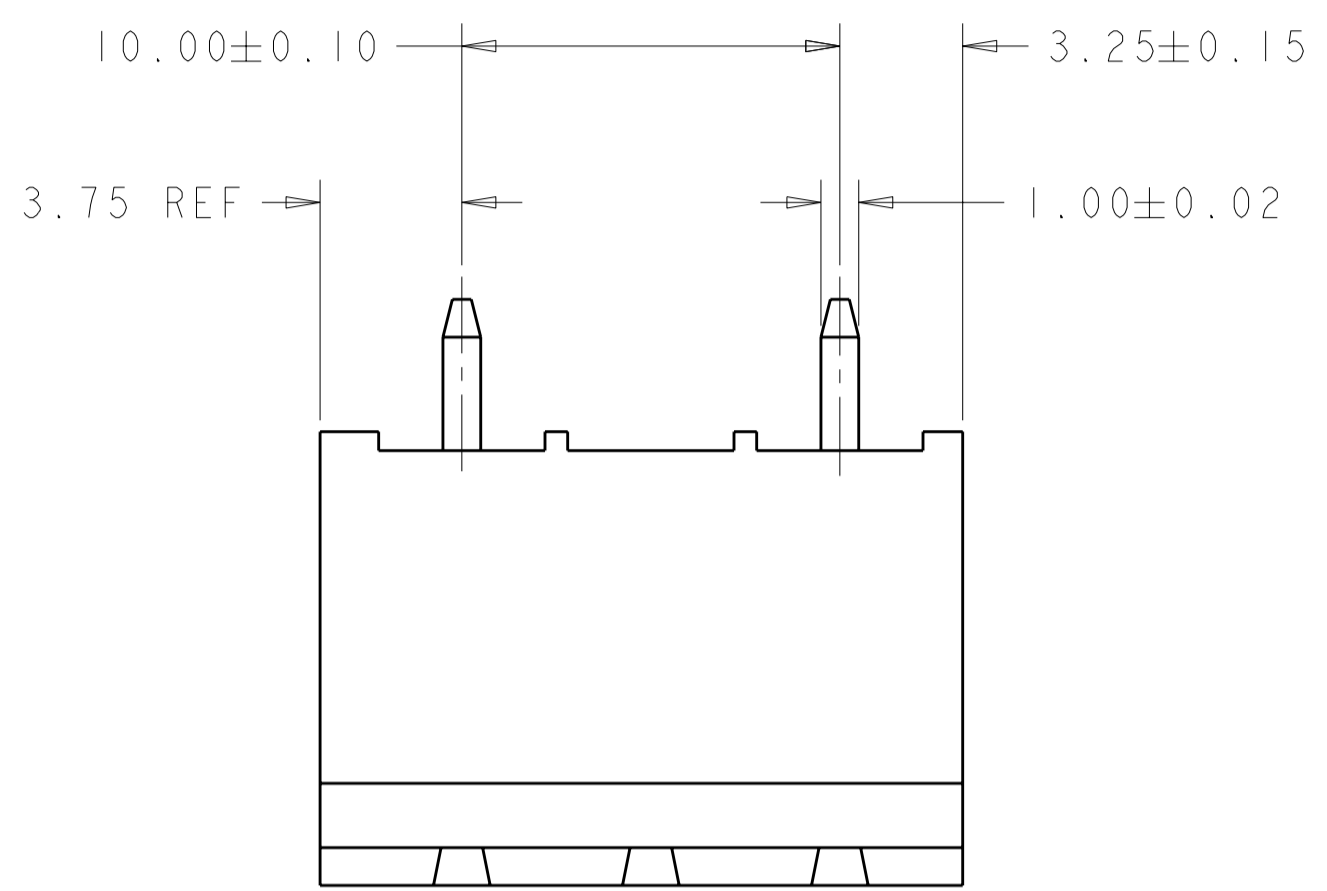


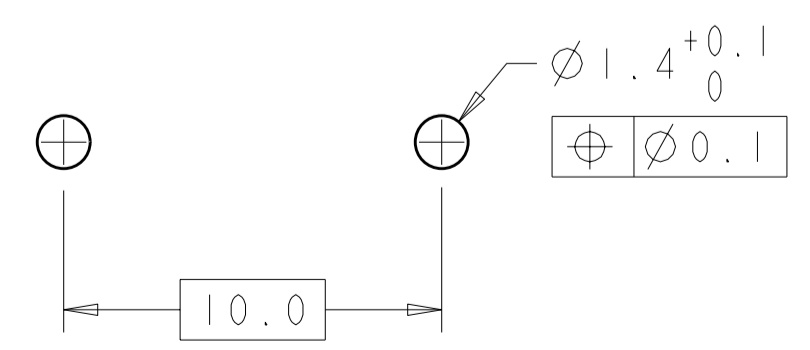
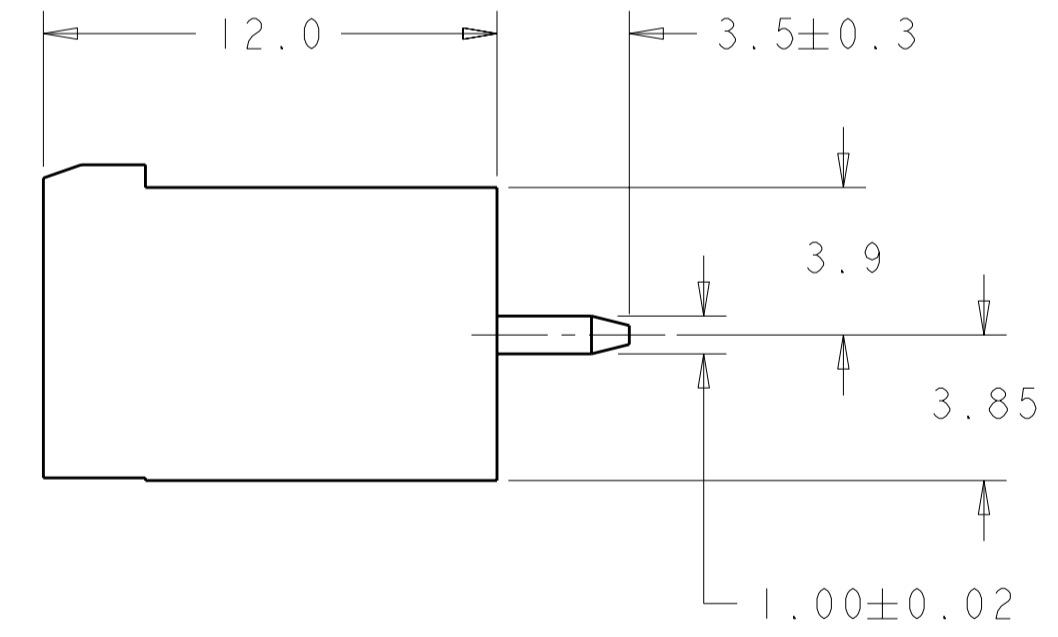
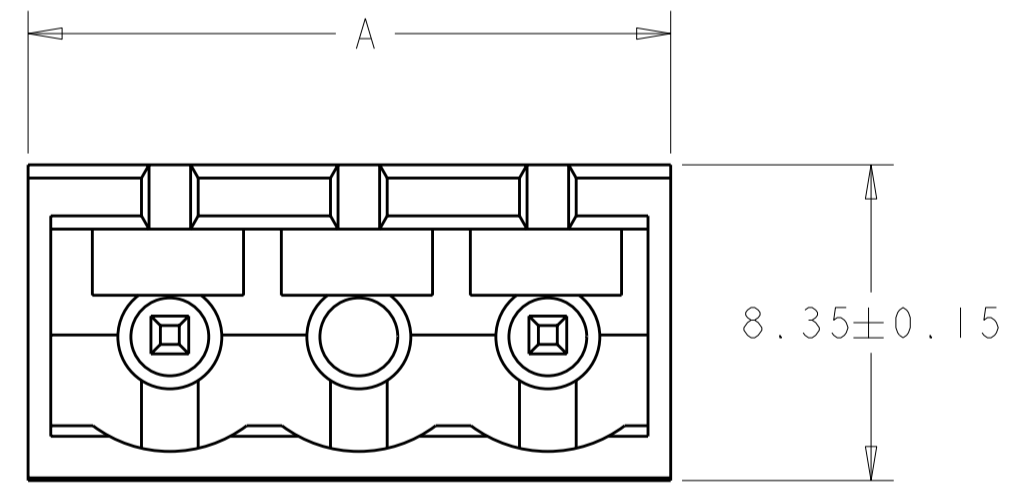
THIS DRAWING IS UNPUBLISHED. RELEASED FOR PUBLICATION 20
 © COPYRIGHT 20 Tyco Electronics AMP GmbH ALL RIGHTS RESERVED.

LOC		DIST		REVISIONS			
P	LTR	DESCRIPTION	DATE	DWN	APVD		
	01	REVISED PER ECO-12-007711	26APR2012	KH	MS		



1776160-2 AS SHOWN

- ⚠ MATERIALS AND FINISH
 HOUSING: HIGH TEMPERATURE POLYAMIDE, UL 94V-0 RATED,
 COLOR: BLACK.
 TERMINAL: COPPER ALLOY, TIN PLATED.
- 2. SUITABLE FOR 1,6-2,4mm PC BOARD THICKNESS.
- 3. RECOGNIZED UNDER THE COMPONENT PROGRAM OF
 UNDERWRITERS LABORATORIES INC. FILE N° E60677.
- 4. IMQ CERTIFICATE WITH SURVEILLANCE IN CONFORMITY
 WITH IEC 998-1/998-2-1.



RECOMMENDED PC BOARD LAYOUT

37.0	4	1776160-4
27.0	3	1776160-3
17.0	2	1776160-2
A	NO OF POSN	PART NUMBER

THIS DRAWING IS A CONTROLLED DOCUMENT.		DWN S.WELDON 11JUL2005	STE TE Connectivity	
DIMENSIONS: mm		CHK C.RICHARD 11JUL2005		
TOLERANCES UNLESS OTHERWISE SPECIFIED:		APVD C.RICHARD 11JUL2005	NAME TERMINAL BLOCK HEADER ASSEMBLY, 180 DEGREE, CLOSED ENDS, 10.00mm PITCH	
0 PLC ±-	1 PLC ±.3	PRODUCT SPEC 108-20166	SIZE A2	CAGE CODE C=1776160
2 PLC ±.25	3 PLC ±-	APPLICATION SPEC 114-20079	SCALE 5:1	SHEET 1 OF 1
4 PLC ±-	ANGLES ±2	WEIGHT -	RESTRICTED TO -	
FINISH		CUSTOMER DRAWING	REV 01	