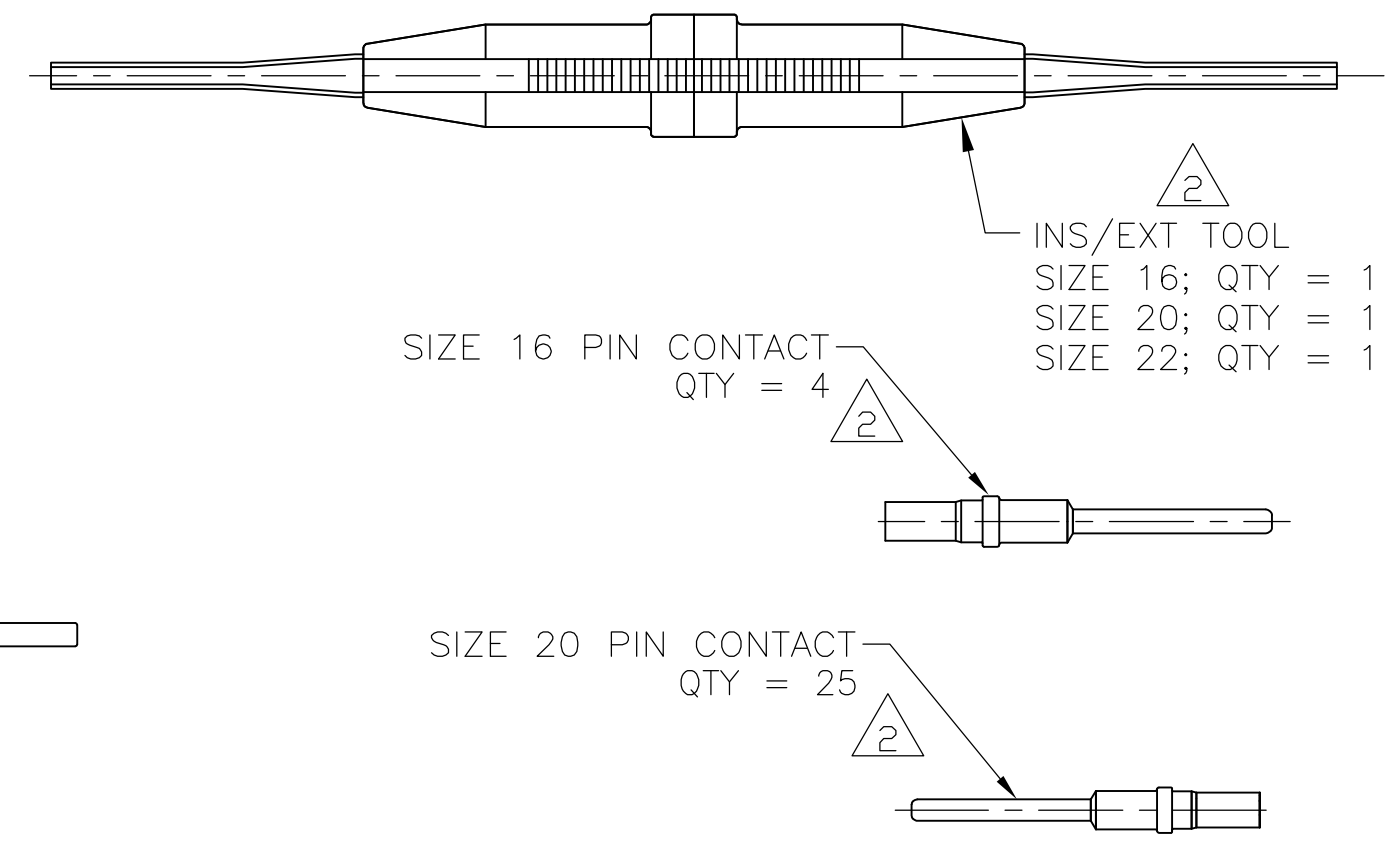
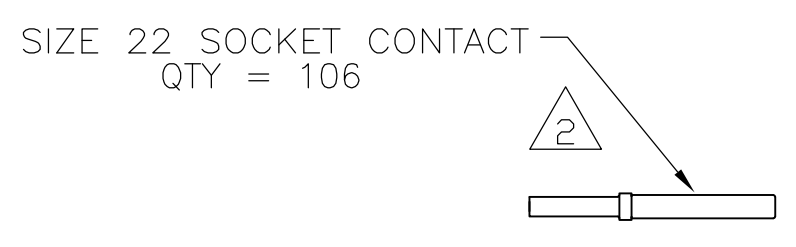


SCREW & LOCKWASHER (QTY=8)
 MATERIAL: STAINLESS STEEL
 PER QQ-S-766
 FINISH: PASSIVATED
 PER QQ-P-358

- 1 KEYING IS SET IN POSITION "01".
- 2 CONTACTS, SEALING PLUGS & INS/EXT TOOLS ARE PACKAGED SEPARATELY AND SHIPPED WITH CONNECTOR. (208669-5 ONLY)
- 3. DUST CAPS (NOT SHOWN) ARE INSTALLED FOR SHIPPING.



ST5M1490-005	208669-9	1-208669-2
---	208669-5	208669-7
---	208669-5	208669-5
MARKED CUSTOMER PART NUMBER	MARKED TE PART NO.	PART NO.

THIS DRAWING IS A CONTROLLED DOCUMENT.

DIMENSIONS: INCHES [mm]	TOLERANCES UNLESS OTHERWISE SPECIFIED:	0 PLC ± -	1 PLC ± -	2 PLC ± -	3 PLC ± .005 [0.13]	4 PLC ± -	ANGLES ± -
MATERIAL SEE CALLOUTS	FINISH SEE CALLOUTS	WEIGHT	SIZE	CAGE CODE	DRAWING NO.	RESTRICTED TO	
			A1	00779	208669		

CUSTOMER DRAWING SCALE 2:1 SHEET 1 OF 1 REV K

THIS DRAWING IS A CONTROLLED DOCUMENT. C.C. THOMAS 12-10-07 D. EARY 12-11-07 D. EARY 12-11-07 Tyco Electronics Corporation Harrisburg, PA 17105-3608 RECEPTACLE ASSEMBLY, ARINC 404