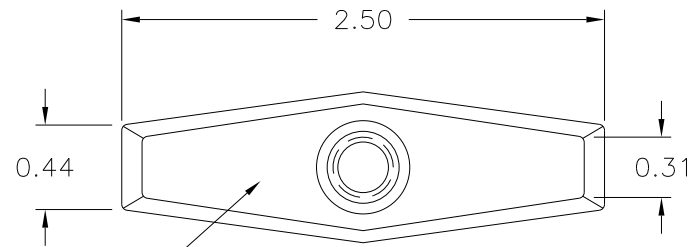


PART NAME: KNOB      SCALE: 1:1      DATE: 2/11/97      DR. BY HD

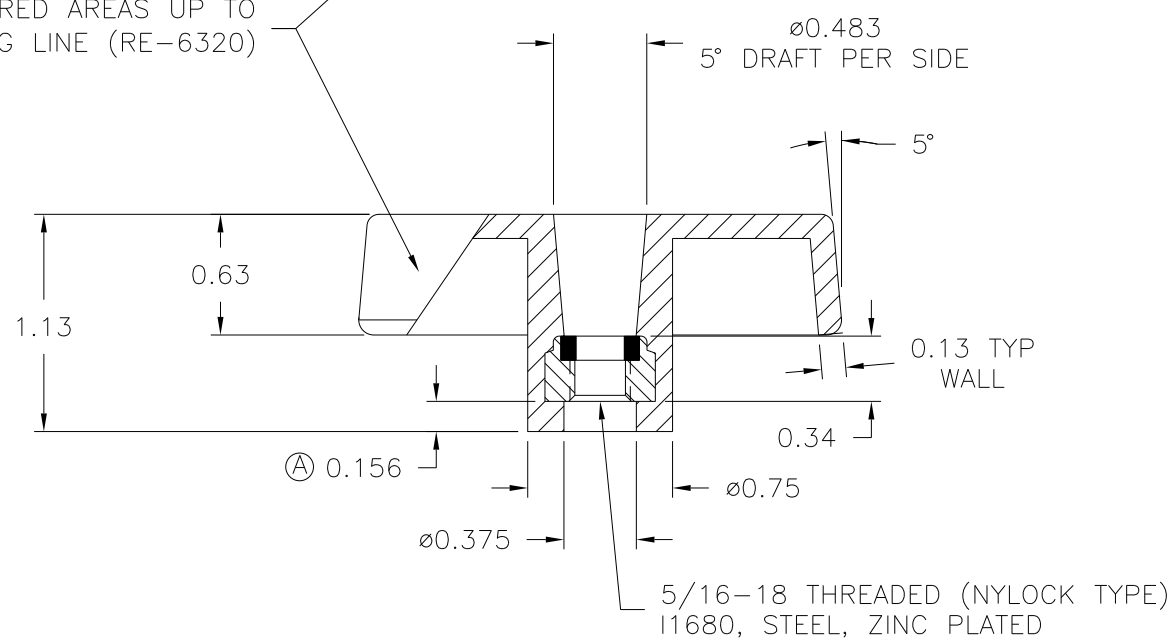
THIS DRAWING IS THE PROPERTY OF DAVIES MOLDING COMPANY, IS SUBMITTED SOLELY AS A DESIGN OR ENGINEERING PROJECT.  
WE ACCEPT NO RESPONSIBILITY WHATSOEVER FOR THE PRACTICAL APPLICATION OF THE PIECES MADE TO THIS DESIGN.



P/N	3088AT
M NO.	# 55 (B)
CAVITY	3088
CORE	3088
TOP PIN	3088-AT
SLEEVE	3088
PIN	3088-AT
INSERT	I1680



TEXTURED AREAS UP TO PARTING LINE (RE-6320)



MATERIAL: POLYPROPYLENE (CLD) (C)  
COLOR: BLACK

TOLERANCES: UNLESS OTHERWISE SPECIFIED	DO NOT SCALE DRAWING	C	ADDED MAT. CODE	DS	1/26/07
		B	WAS #30	ST	10/9/2000
DECIMALS: X.XXX ± .005 X.XX ± .015	MM: X.XX ± 0.15MM X.X ± 0.4MM	-	REDRAWN	TL	11/12/99
		A	ADDED 0.156	RF	3/19/97
FRACTIONS ± 1/64	ANG. ± 1°	CHANGES			