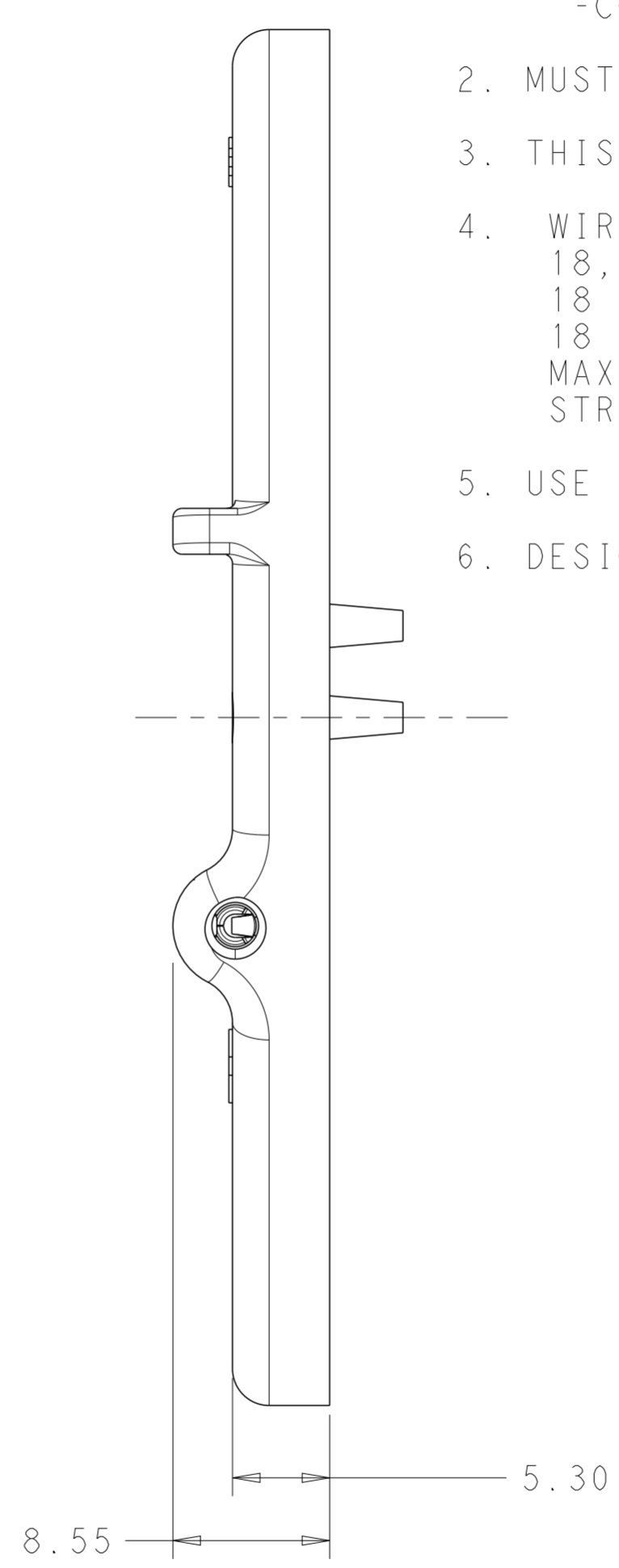
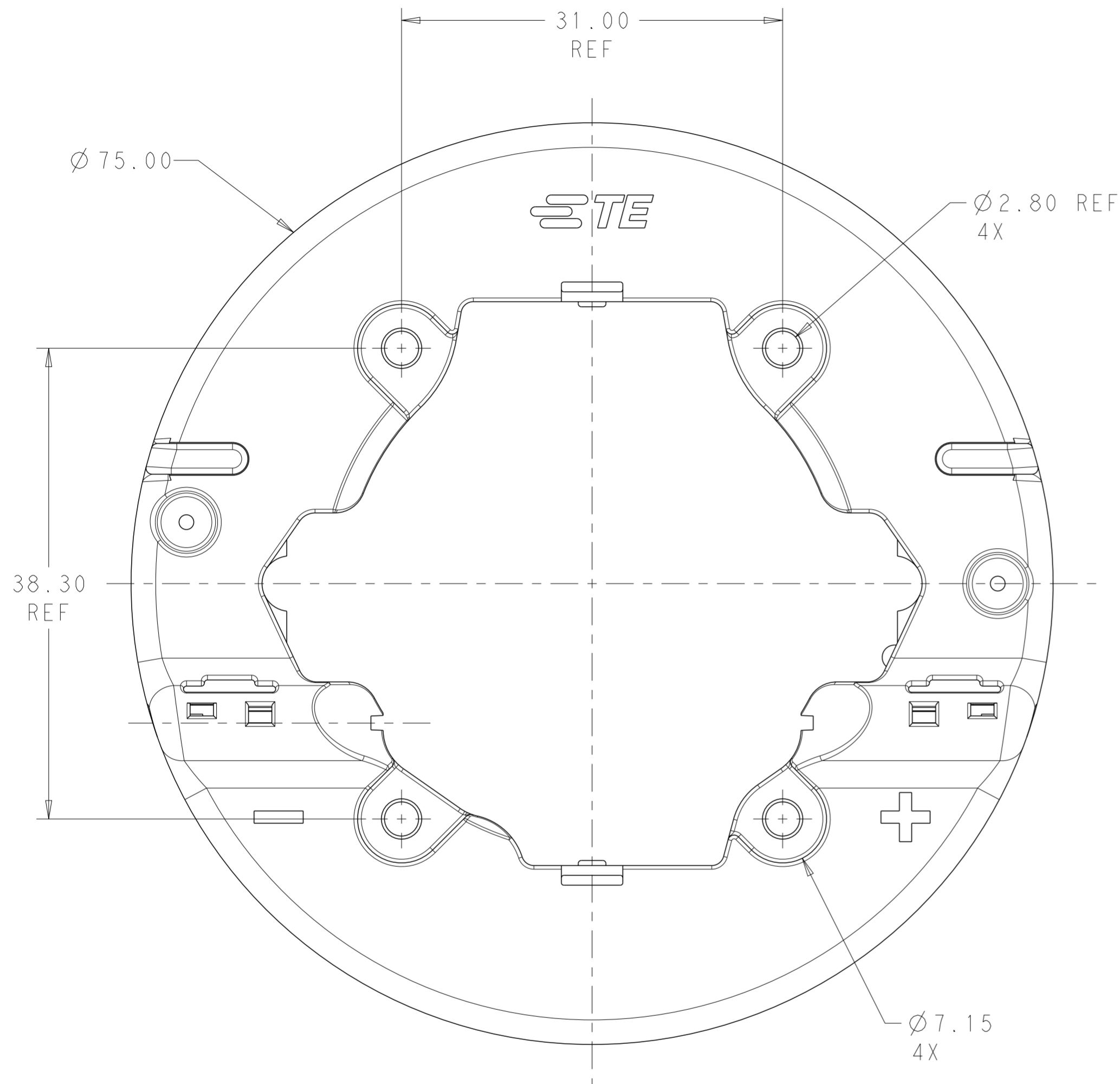


THIS DRAWING IS UNPUBLISHED. RELEASED FOR PUBLICATION 20
 © COPYRIGHT 20 BY TE CONNECTIVITY ALL RIGHTS RESERVED.

LOC		DIST		REVISIONS			
P	LTR	DESCRIPTION	DATE	DWN	APVD		
	A	REVISED PER ECO-12-020971	05DEC2012	KH	PO		



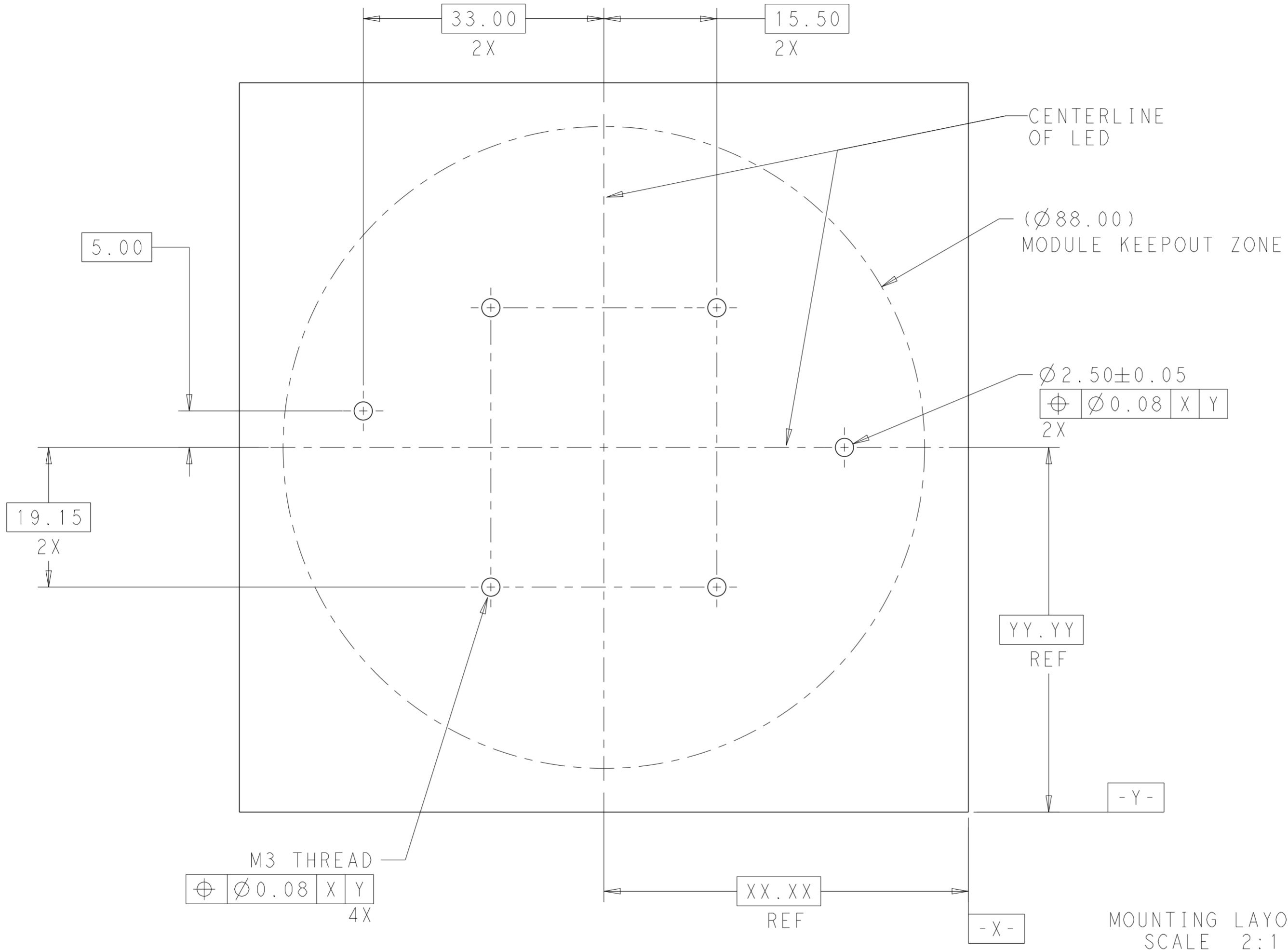
- ⚠ MATERIALS AND FINISH:
 -HOUSING: GF PBT, COLOR: NATURAL
 -CONTACTS: COPPER ALLOY, FINISH: Sn OVER Ni
- MUST COMPLY WITH DIRECTIVE 2002/95/EC (ROHS)
 - THIS PRODUCT HAS NOT COMPLETED VALIDATION TESTING
 - WIRE TYPES AND SIZES ACCEPTED
 18, 20 AND 22 AWG SOLID WIRE
 18 AND 20 AWG PREBOND STRANDED WIRE
 18 AWG STRANDED WIRE (16 STRAND COUNT)
 MAX INSULATION OD: 2.10 MM (.083")
 STRIP LENGTH: 7.0±1.0 (.276")
 - USE (4) M3 SIZE SCREWS, TORQUE TO 2.5-4.0 IN-LBF
 - DESIGNED TO BE USED WITH BRIDGELUX RS SERIES LED

2154455-1
 PART NO.

THIS DRAWING IS A CONTROLLED DOCUMENT.		DWN C. DAILY 24 JAN 2011	STE TE Connectivity	
		CHK CHANEY 24 JAN 2011		
DIMENSIONS: mm		APVD -	NAME SOCKET ASSEMBLY, SOLDERLESS BR LED	
TOLERANCES UNLESS OTHERWISE SPECIFIED: 0 PLC ± 1 PLC ± 2 PLC ±0.20 3 PLC ± 4 PLC ± ANGLES ±3° FINISH		PRODUCT SPEC 108-2466	RESTRICTED TO -	
MATERIAL ⚠ -		APPLICATION SPEC 114-13302	SIZE A2	CAGE CODE 00779
		WEIGHT -	DRAWING NO C-2154455	SCALE 3:1
		Customer Drawing	SHEET 1	OF 2
			REV A	

THIS DRAWING IS UNPUBLISHED. RELEASED FOR PUBLICATION 20
 © COPYRIGHT 20 BY TE CONNECTIVITY ALL RIGHTS RESERVED.

LOC		DIST		REVISIONS			
P	LTR	DESCRIPTION	DATE	DWN	APVD		
-	-	SEE SHEET 1	-	-	-		



MOUNTING LAYOUT
SCALE 2:1

THIS DRAWING IS A CONTROLLED DOCUMENT.		DWN C. DAILY 24 JAN 2011	TE Connectivity	
		CHK CHANEY 24 JAN 2011		
DIMENSIONS: mm		APVD -		NAME SOCKET ASSEMBLY, SOLDERLESS BR LED
TOLERANCES UNLESS OTHERWISE SPECIFIED:		PRODUCT SPEC 108-2466		SIZE A200779
0 PLC ±		APPLICATION SPEC 114-13302		DRAWING NO C-2154455
1 PLC ±		WEIGHT -		RESTRICTED TO -
2 PLC ±0.20		Customer Drawing		SCALE 3:1
3 PLC ±				SHEET 2 OF 2
4 PLC ±				REV A
ANGLES ±3°				
FINISH				