

Customer Information Sheet

DRAWING No.: S423-46

SHEET 3 OF 4

IF IN DOUBT - ASK

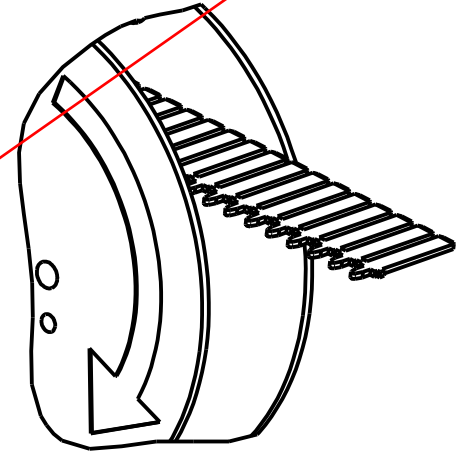
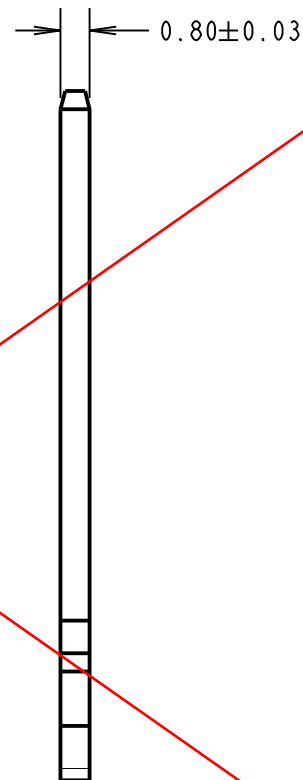
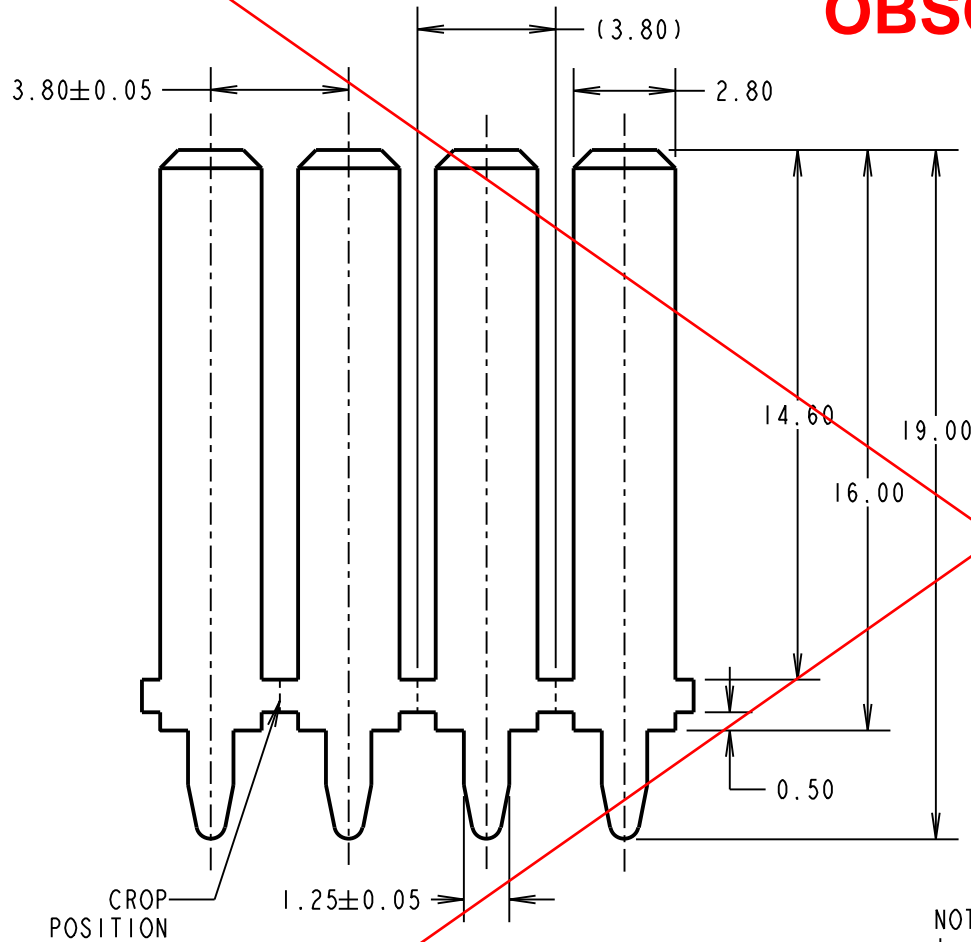
©

NOT TO SCALE

THIRD ANGLE PROJECTION

ALL DIMENSIONS IN mm

OBSOLETE



COMPONENTS SHOWN REELED
READY FOR INSERTION

NOTES:

1. QUANTITY OF TABS PER REEL = 20K.
TOTAL WEIGHT PER REEL = 7.7kg (INCLUDING REEL).
2. RECOMMENDED MOUNTING HOLE SIZE = $\varnothing 1.30 \pm 0.06$.
3. PLATING THICKNESS = 4μ 100% TIN.

SB	8	20.08.14	12556
NAME	ISS.	DATE	C/NOTE
APPROVED:		S.BENNETT	
CHECKED:		S.FLOWER	
DRAWN:		W. J. BOURNE	
CUSTOMER REF.:			
ASSEMBLY DRG:			

HARWIN

www.harwin.com
technical@harwin.com

THIS DRAWING AND ANY INFORMATION OR DESCRIPTIVE MATTER SET OUT HEREON ARE CONFIDENTIAL AND COPYRIGHT PROPERTY OF THE HARWIN GROUP AND MUST NOT BE DISCLOSED, LOANED, COPIED OR USED FOR MANUFACTURING, TENDERING OR FOR ANY OTHER PURPOSE WITHOUT THEIR WRITTEN PERMISSION.

TOLERANCES

X. = ± 1 mm
X.X = ± 0.25 mm
X.XX = ± 0.10 mm
X.XXX = ± 0.01 mm

ANGLES = $\pm 5^\circ$
UNLESS STATED

MATERIAL:

BRASS CW508L H150
TO BS EN 1652
(CuZn37 HARD)

FINISH: SEE NOTES

S/AREA: mm²

TITLE:

2.8mm BLADE VERTICAL
REELED TERMINAL

DRAWING NUMBER:

S423-46

SHT
3 OF 4

Customer Information Sheet

DRAWING No.: S423-46

SHEET 4 OF 4

IF IN DOUBT - ASK

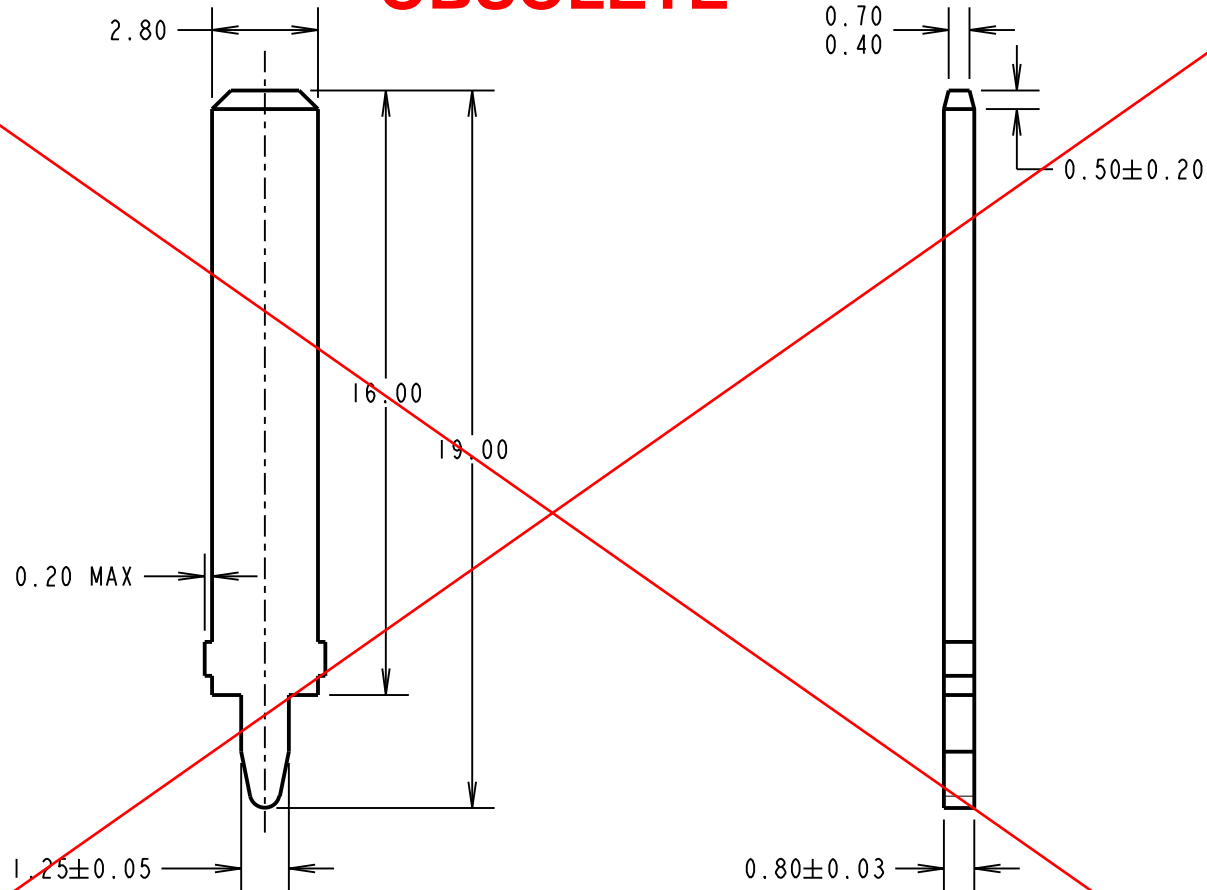
©

NOT TO SCALE

THIRD ANGLE PROJECTION

ALL DIMENSIONS IN mm

OBSOLETE



NOTES:

1. THIS CROPPED TAB IS OBTAINED BY USING PART No. S423-46 WITH INSERTION HEAD 1H-S423-ROCH. THE SECTION CONNECTING THE TABS IN THE REELED FORMAT IS CROPPED OUT USING THIS INSERTION HEAD.

SB	8	20.08.14	12556
NAME	ISS.	DATE	C/NOTE
APPROVED:		S. BENNETT	
CHECKED:		S. FLOWER	
DRAWN:		W. J. BOURNE	
CUSTOMER REF.:			
ASSEMBLY DRG.:			

HARWIN

www.harwin.com
technical@harwin.com

THIS DRAWING AND ANY INFORMATION OR DESCRIPTIVE MATTER SET OUT HEREON ARE CONFIDENTIAL AND COPYRIGHT PROPERTY OF THE HARWIN GROUP AND MUST NOT BE DISCLOSED, LOANED, COPIED OR USED FOR MANUFACTURING, TENDERING OR FOR ANY OTHER PURPOSE WITHOUT THEIR WRITTEN PERMISSION.

TOLERANCES
 X. = ±1mm
 X.X = ±0.25mm
 X.XX = ±0.10mm
 X.XXX = ±0.01mm
 ANGLES = ±5°
 UNLESS STATED

MATERIAL:
 BRASS CW508L H150
 TO BS EN 1652
 (CuZn37 HARD)

FINISH: SEE SHEET 3

S/AREA: mm²

TITLE:
 2.8mm BLADE VERTICAL
 CROPPED TERMINAL

DRAWING NUMBER:

S423-46

SHT
4
OF 4