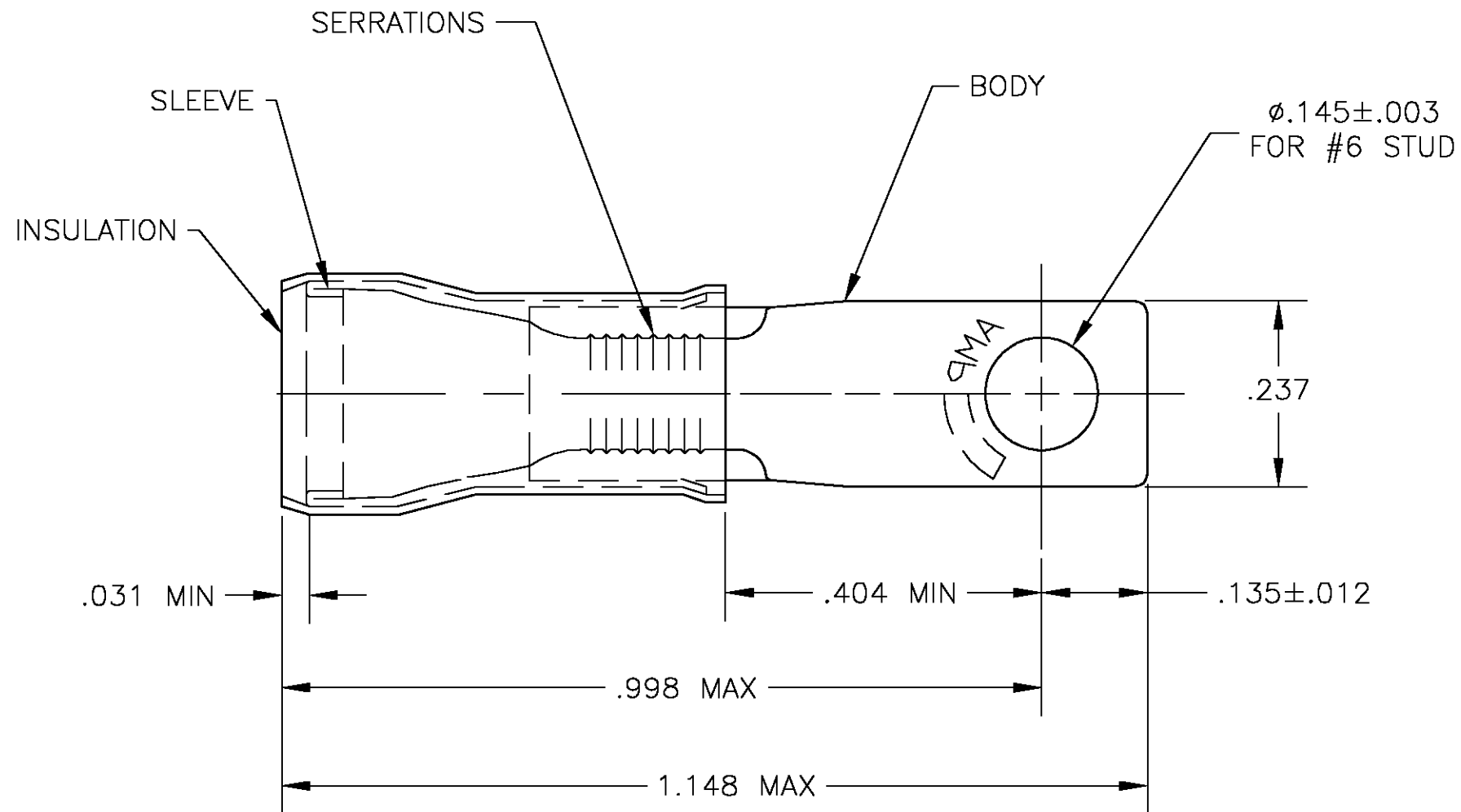


THIS DRAWING IS UNPUBLISHED. RELEASED FOR PUBLICATION
 © COPYRIGHT BY TYCO ELECTRONICS CORPORATION. ALL RIGHTS RESERVED.

LOC	DIST	REVISIONS					
		P	LTR	DESCRIPTION	DATE	DWN	APVD
G	14		A	REL PER 0G3A-0111-04	23FEB04	JR	TM



- 1 TONGUE MATERIAL THK IS .040±.002
- 2 WIRE INSULATION DIA RANGE IS FOR .150 TO .230.
- 3 PREPRODUCTION - FASR REQUIRED

1	696560-1	INSULATION: NYLON COLOR: YELLOW SLEEVE: COPPER PER ASTM B-152 BODY: COPPER PER ASTM B-152 TIN PLATED PER ASTM B-545
QTY	PART NO	DESCRIPTION

THIS DRAWING IS A CONTROLLED DOCUMENT.		DWN JR RUTH 16APR03	Tyco Electronics Corporation Harrisburg, PA 17105	
DIMENSIONS: INCHES		CHK T MICHIELUTTI 16APR03		
		APVD T MICHIELUTTI 16APR03	NAME	
TOLERANCES UNLESS OTHERWISE SPECIFIED:		PRODUCT SPEC	WIRE TERMINAL PIDG, RECTANGULAR TONGUE WIRE SIZE: 12-10	
0 PLC ± -		APPLICATION SPEC	SIZE	CAGE CODE
1 PLC ± -		WEIGHT	A3	00779
2 PLC ± -		CUSTOMER DRAWING	DRAWING NO	
3 PLC ± .005		SCALE	C-696560	
4 PLC ± -		RESTRICTED TO	-	
ANGLES ± 1'		SCALE	5:1	SHEET 1 OF 1
MATERIAL		REV	A	
FINISH				