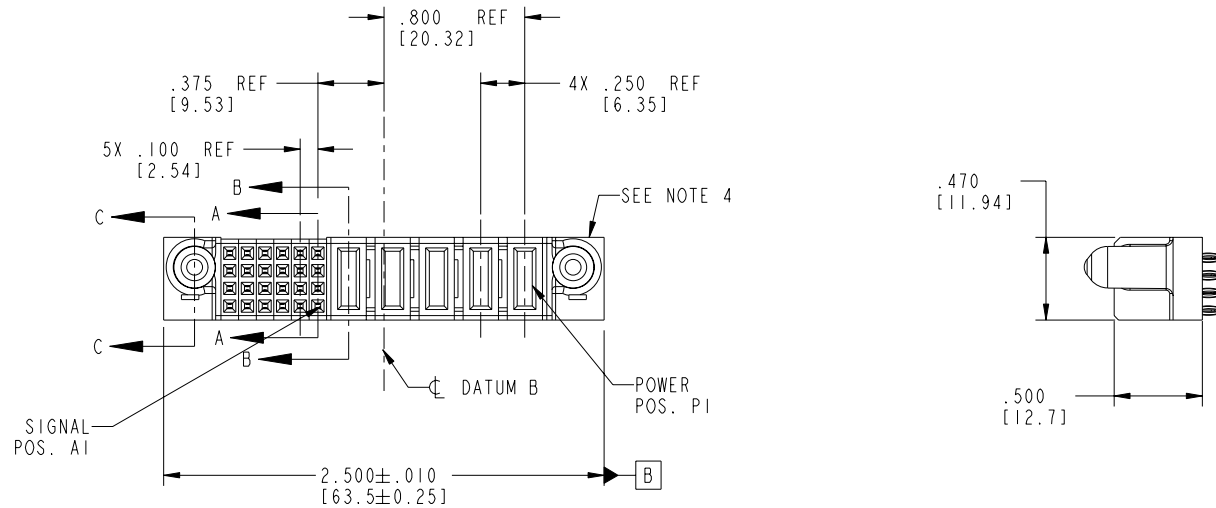


Tous droits strictement réservés. Reproduction ou communication à des tiers interdite sous quelque forme que ce soit sans autorisation écrite du propriétaire. Propriété de c FCI. Droits de reproduction FCI.

All rights strictly reserved. Reproduction or issue to third parties in any form whatever is not permitted without written authority from the proprietor. Property of FCI. Copyright FCI.

PRODUCT NO.	ROWS	SIGNAL					POWER					E1		
		E2	6	5	4	3	2	1	P5	P4	P3		P2	P1
51940-181-- NOTE 3	D C B A		F	F	F	F	F	F	PF	PF	PC	PF	PF	
		F	F	F	F	F	F	F						
		F	F	F	F	F	F	F						



CODE	DIM "M" MATING LENGTH	CONTACT TYPE
PF	.092 [2.34]	POWER
F	N/A [N/A]	SIGNAL
PC	.042 [1.07]	POWER

mat'l code				SEE NOTE 2		tolerances unless otherwise specified		CUSTOMER		 www.fciconnect.com	
ltr	ecn no.	dr	date	linear		.XX±.01/0.X±0.3		COPY		title	
A	DG05-0520	CS	12/08/05			.XXX±.005/0.XX±0.13		projection		5P + 24S	
				angles		.XXX±.0020/0.XXX±0.051				VERTICAL PRESS FIT RECEIPT	
				dr	CS	12/08/05		INCH/MM		product family	
				enr	STEVEN WANG	12/08/05		scale		PwrBlade	
				chr	VICTOR LIN	12/08/05		1:1		code	
				appd	JOSEPH HSIA	12/08/05				213	
sheet index	revision sheet	A	A	A	A					sheet	
		1	2	3	4					1 of 4	

cage code 22526 4

Pro/E

PDM: Rev:A

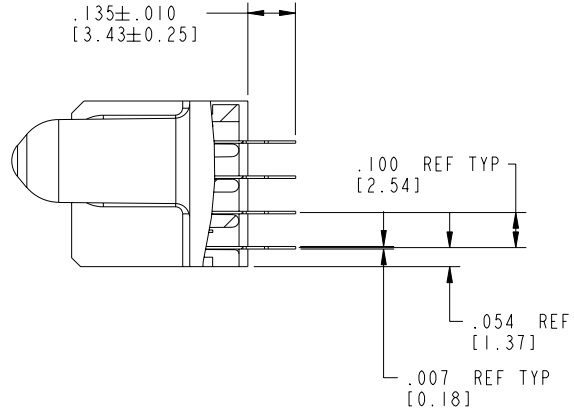
STATUS: Released

Printed: Dec 20, 2010

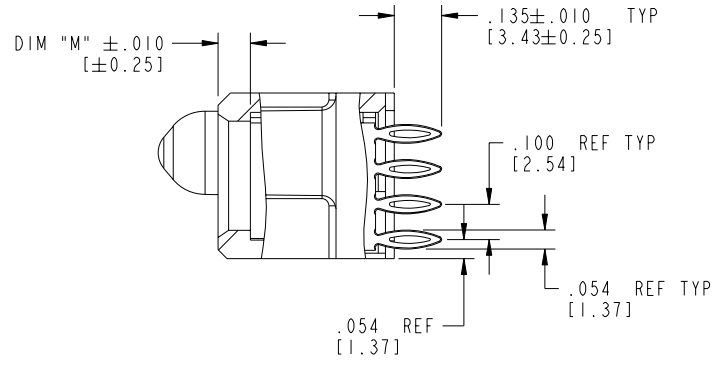
Tous droits strictement réservés. Reproduction ou communication a des tiers interdite sous quelque forme que ce soit sans autorisation écrite du propriétaire. Propriété de c FCI. Droits de reproduction FCI.

All rights strictly reserved. Reproduction or issue to third parties in any form whatever is not permitted without written authority from the proprietor. Property of FCI. Copyright FCI.

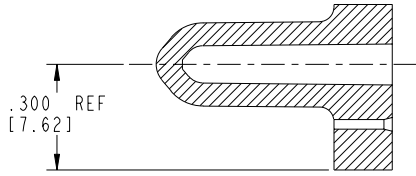
PRODUCT NUMBER
51940-181--
NOTE ③



SECTION A-A
SCALE 2:1



SECTION B-B
SCALE 2:1



SECTION C-C
SCALE 2:1

mat'l code		SEE NOTE 2		tolerances unless otherwise specified		CUSTOMER		 www.fciconnect.com	
ltr	ecn no.	dr	date	linear	.XX±.01/0.X±0.3	COPY		projection	title
A				angles	.XXX±.005/0.XX±0.13	INCH/MM			5P + 24S
				dr	.XXX±.0020/0.XXX±0.051	scale		product family	code
				enr	0° ± 2°	1:1		PwrBlade	213
				chr	CS 12/08/05			size	sheet
				appd	STEVEN WANG 12/08/05			A	2 of 4
					VICTOR LIN 12/08/05			dwg no	
					JOSEPH HSIA 12/08/05			51940-181	
sheet index	revision sheet							cage code	
								22526	

Pro/E

cage code 22526

PDM: Rev:A

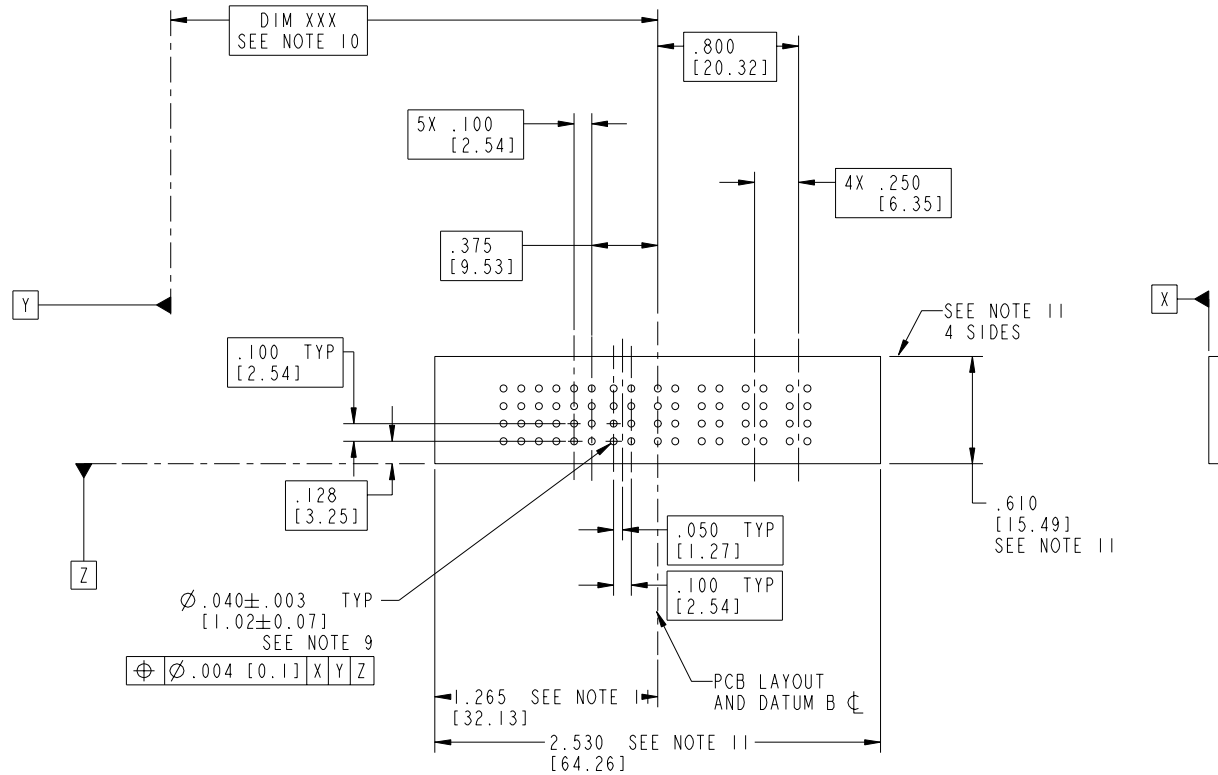
STATUS: Released

Printed: Dec 20, 2010

Tous droits strictement réservés. Reproduction ou communication a des tiers interdite sous quelque forme que ce soit sans autorisation écrite du propriétaire. Propriété de c FCI. Droits de reproduction FCI.

All rights strictly reserved. Reproduction or issue to third parties in any form whatever is not permitted without written authority from the proprietor. Property of FCI. Copyright FCI.

PRODUCT NUMBER
51940-181--
NOTE ③



mat'l code		SEE NOTE 2		tolerances unless otherwise specified		CUSTOMER		 www.fciconnect.com	
ltr	ecn no.	dr	date	linear	$.XX \pm .01 / 0, X \pm 0.3$ $.XXX \pm .005 / 0, XX \pm 0.13$ $.XXXX \pm .0020 / 0, XXX \pm 0.051$	projection		title	5P + 24S
A				angles	$0^\circ \pm 2^\circ$			product family	PwrBlade
				dr	CS 12/08/05	scale	1:1	size	213
				enr	STEVEN WANG 12/08/05			dwg no	51940-181
				chr	VICTOR LIN 12/08/05			sheet	3 of 4
				appd	JOSEPH HSIA 12/08/05				
sheet index	revision sheet								

cage code 22526

Pro/E

PDM: Rev:A

STATUS: Released

Printed: Dec 20, 2010

Tous droits strictement réservés. Reproduction ou communication à des tiers interdite sous quelque forme que ce soit sans autorisation écrite du propriétaire. Propriété de c FCI. Droits de reproduction FCI.

A
FCI

All rights strictly reserved. Reproduction or issue to third parties in any form whatever is not permitted without written authority from the proprietor. Property of FCI. Copyright FCI.

PRODUCT NUMBER
51940-181--
NOTE ③

NOTES:

1. DIMENSIONS AND TOLERANCES ARE IN ACCORDANCE WITH ASME Y14.5M, 1994 UNLESS OTHERWISE SPECIFIED.

CONNECTOR NOTES:

② HOUSING MATERIAL: UL 94 V-0 GLASS FILLED
HIGH-TEMP THERMOPLASTIC
POWER CONTACT MATERIAL: COPPER ALLOY
SIGNAL PIN MATERIAL: COPPER ALLOY

3. PLATING:
51940-181 Singal Pin: 30u"/0.76um Au OVER 50u"/1.27um Ni ON CONTACT AREA.
AND 100u"/2.54um SnPb PLATING OVER 50u"/1.27um Ni ON THE TERMINATION SECTION.
Power Pin: 30u"/0.76um Au OVER 50u"/1.27um Ni ON THE CONTACT AREA,
AND 50u"/1.27um-100u"/2.54um SnPb PLATING OVER 50u"/1.27um Ni ON THE TERMINATION SECTION.

51940-181LF Singal Pin: 30u"/0.76um Au OVER 50u"/1.27um Ni ON CONTACT AREA.
AND 78u"/2.00um Sn PLATING OVER 50u"/1.27um Ni ON THE TERMINATION SECTION.
Power Pin: 30u"/0.76um Au OVER 50u"/1.27um Ni ON THE CONTACT AREA,
AND 50u"/1.27um-100u"/2.54um Sn PLATING OVER 50u"/1.27um Ni ON THE TERMINATION SECTION.

PART NUMBER 51940-181LF MEETS EUROPEAN UNION DIRECTIVE AND OTHER COUNTRY REGULATIONS AS DESCRIBED IN GS-22-008.

THE HOUSING WILL WITHSTAND EXPOSURE TO 260° PEAK TEMPERATURE FOR 10 SECONDS IN A WAVE SOLDER APPLICATION WITH A CIRCUIT BOARD

④ MANUFACTURER'S NAME, P/N, AND DATE CODE TO APPEAR ON THIS SURFACE.

5. PRODUCT SPECIFICATION GS-12-149.
APPLICATION SPECIFICATION BUS-20-067.

6. PACKAGED IN TRAYS.

PCB NOTES:

7. ALL HOLE DIAMETERS ARE FINISHED HOLE SIZE.

⑧ MOUNTING HOLES, WHERE APPLICABLE, ARE UNPLATED.

⑨ $\varnothing .0453 \pm .0010$ [1.151 ± 0.025] DRILLED HOLES PLATED WITH
.0003 [0.008] MIN SnPb OVER .001 [0.03]
TO .003 [0.08] Cu PLATING TO ACHIEVE
 $\varnothing .040 \pm .003$ [1.02 ± .07] HOLE.

⑩ "DIM XXX" TO BE DETERMINED BY THE CUSTOMER.

⑪ CONNECTOR KEEP-OUT ZONE.

mat'l code		SEE NOTE 2		tolerances unless otherwise specified		CUSTOMER		A FCI		www.fciconnect.com	
ltr	ecn no.	dr	date	linear	.XX±.01/0.X±0.3	COPY		projection	title 5P + 24S		
A					.XXX±.005/0.XX±0.13				VERTICAL PRESS FIT RECEIPT		
				angles	XXXX±.0020/0.XXX±0.051				product family PwrBlade code		
				dr	0° ± 2°	INCH/MM			size 213		
				enr	CS 12/08/05	scale			sheet 4 of 4		
				chr	STEVEN WANG 12/08/05	1:1		A	51940-181		
				appd	VICTOR LIN 12/08/05						
					JOSEPH HSIA 12/08/05						
sheet index	revision sheet										

cage code 22526 4

PDM: Rev:A

STATUS: Released

Printed: Dec 20, 2010