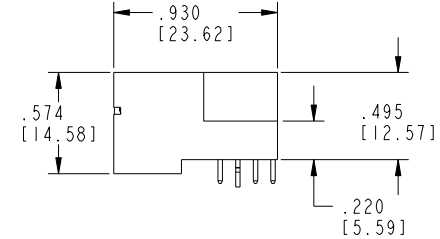
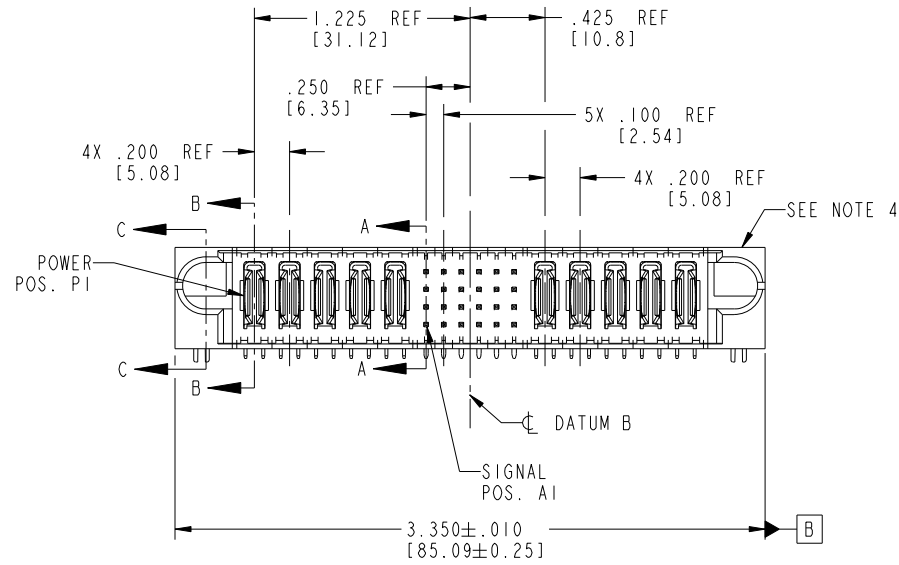


Tous droits strictement reserves. Reproduction ou communication a des tiers interdite sous quelque forme que ce soit sans autorisation écrite du propriétaire. Propriete de c FCI. Droits de reproduction FCI.

All rights strictly reserved. Reproduction or issue to third parties in any form whatever is not permitted without written authority from the proprietor. Property of FCI. Copyright FCI.

PRODUCT NO. 51939-097... NOTE: 3	ROWS D C B A	E1	POWER					SIGNAL						POWER					E2
		PA	PA	PA	PA	PA	1	2	3	4	5	6	P6	P7	P8	P9	P10	HA	



CODE	DIM "M" MATING LENGTH	CONTACT TYPE
R	.270 [6.86]	SIGNAL
S	.270 [6.86]	SIGNAL
T	.270 [6.86]	SIGNAL
U	.270 [6.86]	SIGNAL
PA	N/A [N/A]	POWER
HA	N/A [N/A]	HOLD-DOWN

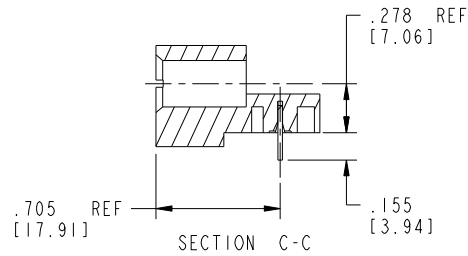
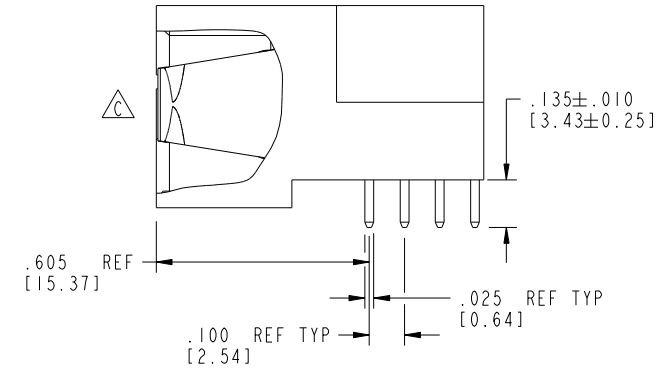
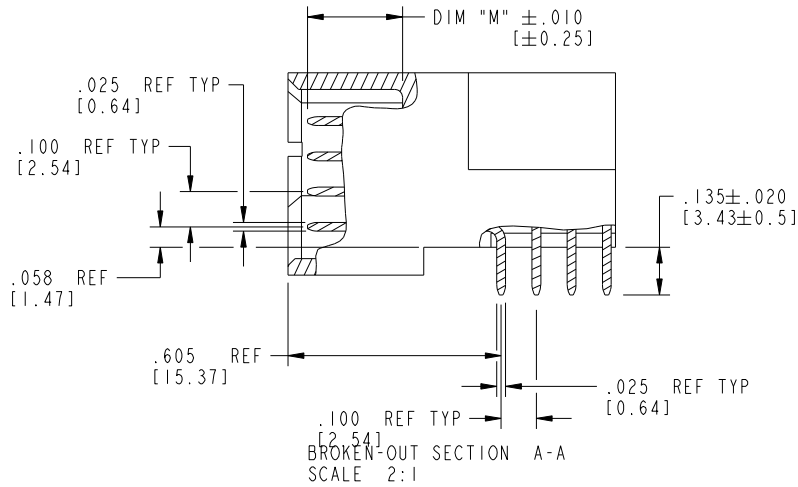
mat'l code				SEE NOTE 2		tolerances unless otherwise specified		CUSTOMER	
ltr	ecn no.	dr	date	linear	.XX±.01/0.X±0.3	COPY		FCI	
A	V03-1267	TAB	12/01/03		.XXX±.005/0.XX±0.13	projection		www.fciconnect.com	
B	DG06-0014	JMG	01/16/06		.XXX±.002/0.XXX±0.051	INCH/MM		title 5P + 24S + 5P	
C	DG09-0003	WD	01/17/09	angles	0°±2°	scale 1:1		RIGHT ANGLE SOLDER HEADER	
				dr	T. BRUNGARD 12/01/03	product family		PwrBlade	
				enr	M. GRAY 12/01/03	size		code 213	
				chr	M. GRAY 12/01/03	dwg no		sheet 1 of 4	
				appd	M. GRAY 12/01/03	A 51939-097			
sheet index	revision sheet	C 1	C 2	C 3	C 4	cage code		22526	

1 | 2 | 3 | 4  
Pro/E | cage code 22526

Tous droits strictement réservés. Reproduction ou communication à des tiers interdite sous quelque forme que ce soit sans autorisation écrite du propriétaire. Propriété de c.FCI. Droits de reproduction FCI.

All rights strictly reserved. Reproduction or issue to third parties in any form whatsoever is not permitted without written authority from the proprietor. Property of FCI. Copyright FCI.

PRODUCT NUMBER  
51939-097\_\_  
NOTE: 3



mat'l code SEE NOTE 2				tolerances unless otherwise specified		CUSTOMER		FCI	
ltr	ecn no.	dr	date	linear	.XX±.01/0.X±0.3	COPY		www.fciconnect.com	
C					.XXX±.005/0.XX±0.13	projection		title 5P + 24S + 5P	
				angles	.XXX±.0020/0.XXX±0.051	INCH/MM		RIGHT ANGLE SOLDER HEADER	
				dr	0°±2°	scale		product family PwrBlade code 213	
				enr	T. BRUNGARD 12/01/03	1:1		size dwg no 213	
				chr	M. GRAY 12/01/03	A		sheet 2 of 4	
				appd	M. GRAY 12/01/03	A		51939-097	
sheet index	revision sheet								

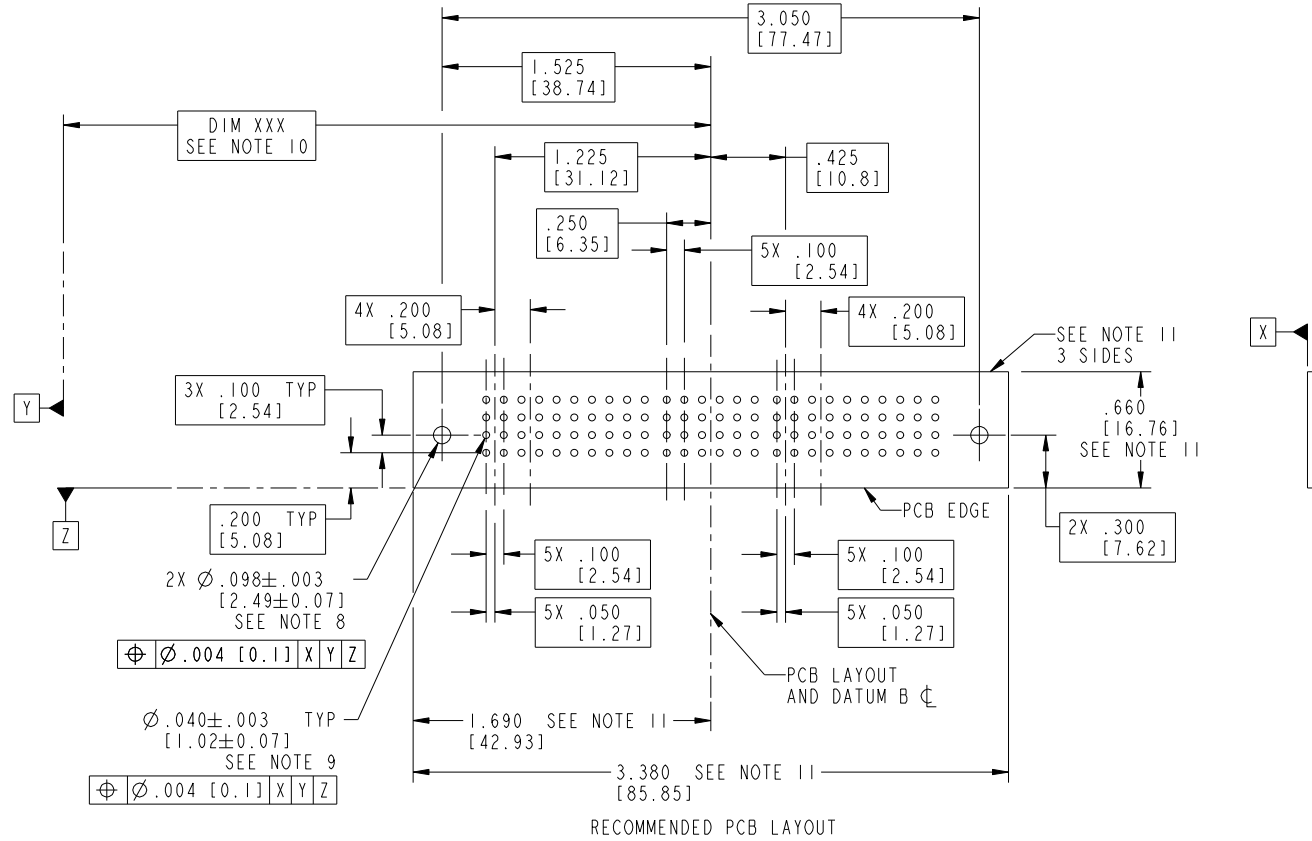
cage code 22526

Tous droits strictement reserves. Reproduction ou communication a des tiers interdite sous quelque forme que ce soit sans autorisation écrite du propriétaire. Propriete de c FCI. Droits de reproduction FCI.



All rights strictly reserved. Reproduction or issue to third parties in any form whatever is not permitted without written authority from the proprietor. Property of FCI. Copyright FCI.

PRODUCT NUMBER  
51939-097\_\_  
NOTE: 3



RECOMMENDED PCB LAYOUT

mat'l code		SEE NOTE 2		tolerances unless otherwise specified		CUSTOMER		 www.fciconnect.com	
lfr	ecn no.	dr	date	linear	.XX±.01/0.X±0.3		COPY		title 5P + 24S + 5P RIGHT ANGLE SOLDER HEADER product family PwrBlade code 213 size dwg no 51939-097 sheet 3 of 4
C					.XXX±.005/0.XX±0.13		projection		
					.XXX±.002/0.XXX±0.051		 INCH/MM scale 1:1		
				angles	0°±2°				
		dr	T. BRUNGARD 12/01/03						
		enr	M. GRAY 12/01/03						
		chr	M. GRAY 12/01/03						
		appd	M. GRAY 12/01/03						
sheet index	revision sheet								

cage code 22526

Pro/E

Tous droits strictement reserves. Reproduction ou communication a des tiers interdite sous quelque forme que ce soit sans autorisation écrite du propriétaire. Propriete de c FCI. Droits de reproduction FCI.



All rights strictly reserved. Reproduction or issue to third parties in any form whatever is not permitted without written authority from the proprietor. Property of FCI. Copyright FCI.

PRODUCT NUMBER  
51939-097\_\_  
NOTE: 3

NOTES:

1. DIMENSIONS AND TOLERANCES ARE IN ACCORDANCE WITH ASME Y14.5M, 1994 UNLESS OTHERWISE SPECIFIED.

CONNECTOR NOTES:

- 2. HOUSING MATERIAL: UL 94 V-0 GLASS FILLED HIGH-TEMP THERMOPLASTIC  
POWER CONTACT MATERIAL: COPPER ALLOY  
SIGNAL PIN MATERIAL: COPPER ALLOY

3. SEE ITEM 1 & 2 IN PRINT 10064183 FOR PLATING SPEC OF 51939-097 AND 51939-097LF RESPECTIVELY.

- 4. MANUFACTURER'S NAME, P/N, AND DATE CODE TO APPEAR ON THIS SURFACE.

5. PRODUCT SPECIFICATION GS-12-149.  
APPLICATION SPECIFICATION BUS-20-067.

6. PACKAGED IN TRAYS.

PCB NOTES:

7. ALL HOLE DIAMETERS ARE FINISHED HOLE SIZE.

- 8. MOUNTING HOLES, WHERE APPLICABLE, ARE UNPLATED.

9.  $\varnothing .0453 \pm .0010$  [1.151  $\pm$  0.025] DRILLED HOLES PLATED WITH  
.0003 [0.008] MIN SnPb OVER .001 [0.03]  
TO .003 [0.08] Cu PLATING TO ACHIEVE  
 $\varnothing .040 \pm .003$  [1.02  $\pm$  .07] HOLE.

- 10. "DIM XXX" TO BE DETERMINED BY THE CUSTOMER.

- 11. CONNECTOR KEEP-OUT ZONE.

12. A  $\triangle$ SYMBOL WILL BE NEXT TO ANY DIMENSION, VIEW, OR NOTE WHICH HAS BEEN MODIFIED WITH THE CURRENT DRAWING REVISION.

mat'l code		SEE NOTE 2		tolerances unless otherwise specified		CUSTOMER				www.fciconnect.com	
ltr	ecn no.	dr	date	linear	.XX+.01/0.X+.0.3		COPY		projection	title	
C					.XXX+.005/0.XX+.0.13		A			5P + 24S + 5P	
				angles	.XXX+.0020/0.XXX+.0.051				RIGHT ANGLE SOLDER HEADER		
					0°+2°		INCH/MM		product family		
				dr	T. BRUNGARD	12/01/03	scale		PwrBlade		code
				enr	M. GRAY	12/01/03	1:1		size		213
				chr	M. GRAY	12/01/03	A		dwg no		sheet
				appd	M. GRAY	12/01/03	A		51939-097		4 of 4
sheet index	revision sheet										

1 | 2

3 |

4

1 | 2

Pro/E

3 |

cage code 22526

4