

LOC  
AI

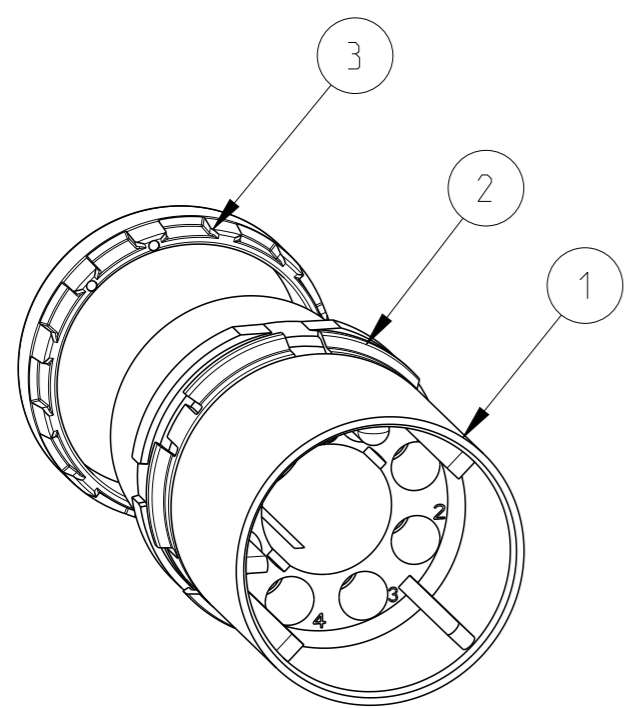
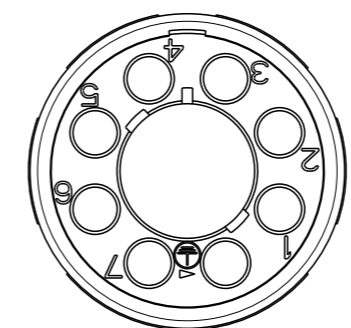
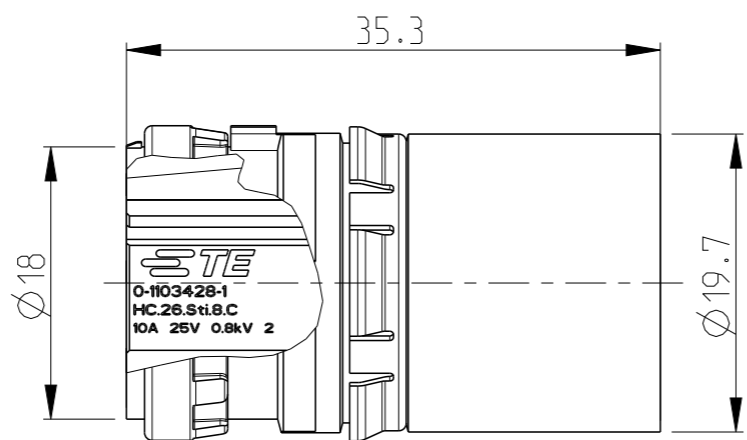
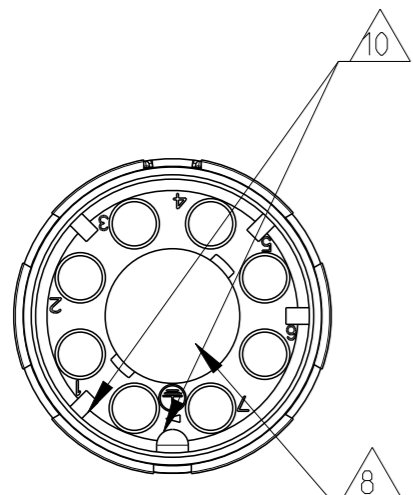
DIST  
-

REVISIONS

P	LTR	DESCRIPTION	DATE	DWN	APVD
	C1	ECR-11-018403	07SEP2011	OH	BR
	C2	ECR-11-021475	24OCT2011	GW	BR
	C3	ECR-15-014241	27OCT2015	RK	JB
	C4	REV. PER ECR-16-000458	12JAN2016	ER	DO

Notes

- 1 SUITABLE HOUSINGS: SERIES HC26  
CUSTOMER DRAWING: 1103433, 1103434
- 2 OUTER DIMENSIONS OF INSULATION: MAX. Ø3.2 MM
- 3 SUITABLE CRIMP CONTACTS:  
CUSTOMER DRAWING: 827040
- 4 SUITABLE SUB-MIN. COAXICON CONTACTS:  
CUSTOMER DRAWING: 51563
- 5 SUITABLE LWL (OPTICS) CONTACTS:  
CUSTOMER DRAWING: 216341
- 6 SUITABLE INSERTION TOOL:  
CUSTOMER DRAWING: 1102855
- 7 SUITABLE EXTRACTION TOOL:  
CUSTOMER DRAWING: 1102855
- △ 8 SUITABLE SIGNAL INSERT:  
CUSTOMER DRAWING: 1103426
- 9 STANDARDS:  
DIN EN 61984, DIN EN 60664-1
- △ 10 POLARIZATION RIPS
- 11 PACKAGING 0-1 /0-2:  
40 SETS IN A CARTON
- 12 PACKAGING 0-3:  
40 PIECE



PN 0-1 AS SHOWN

PN/QTY	DESCRIPTION	MATERIAL	COLOR	NOTE	ITEM
- - 1	ADAPTOR RING	PA-66-GF25	GREY	SERIES HC26, INSERT	3
- - 1	RETAINING RING	PA-66-GF25	GREY	SERIES HC26, INSERT	2
1 1 1	MALE INSERT	PBT-GF10	GREY	SERIES HC26, INSERT	1

THIS DRAWING IS A CONTROLLED DOCUMENT.

DIMENSIONS: mm	TOLERANCES UNLESS OTHERWISE SPECIFIED:
	0 PLC ± 1 PLC ± 2 PLC ± 3 PLC ± 4 PLC ± ANGLES ±
MATERIAL -	FINISH -

DWN H.BRAUN 28OCT2008	TE Connectivity NAME MALE INSERT ASS'Y SERIES HC26, 8-POS., TYPE III+ CIRCULAR HYBRID CONNECTOR
CHK T.VETTER 28OCT2008	
APVD T.SCHNURPFEL 28OCT2008	
PRODUCT SPEC 108-94485	
APPLICATION SPEC 114-94369	RESTRICTED TO
WEIGHT -	Customer Drawing

SIZE A3	CAGE CODE 00779	DRAWING NO C=1103428	SCALE 2:1	SHEET 1 OF 1	REV C4
------------	--------------------	-------------------------	--------------	-----------------	-----------