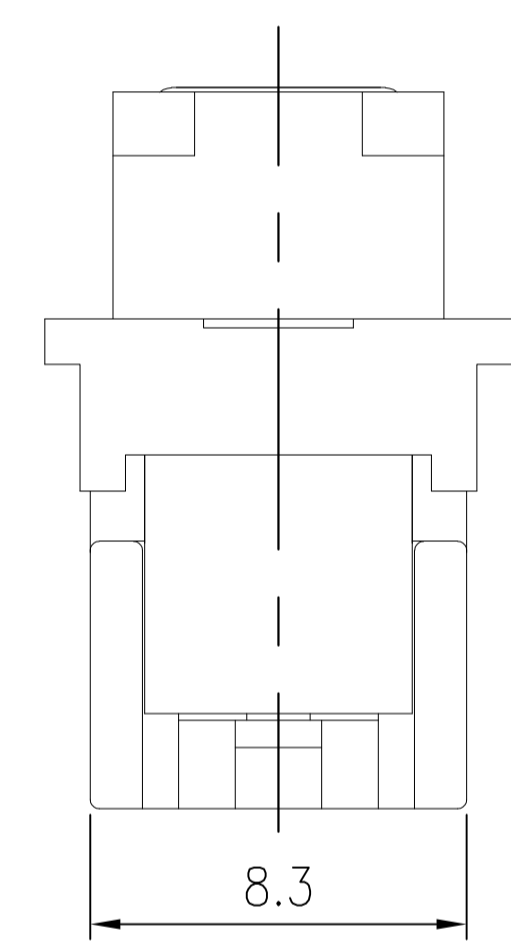
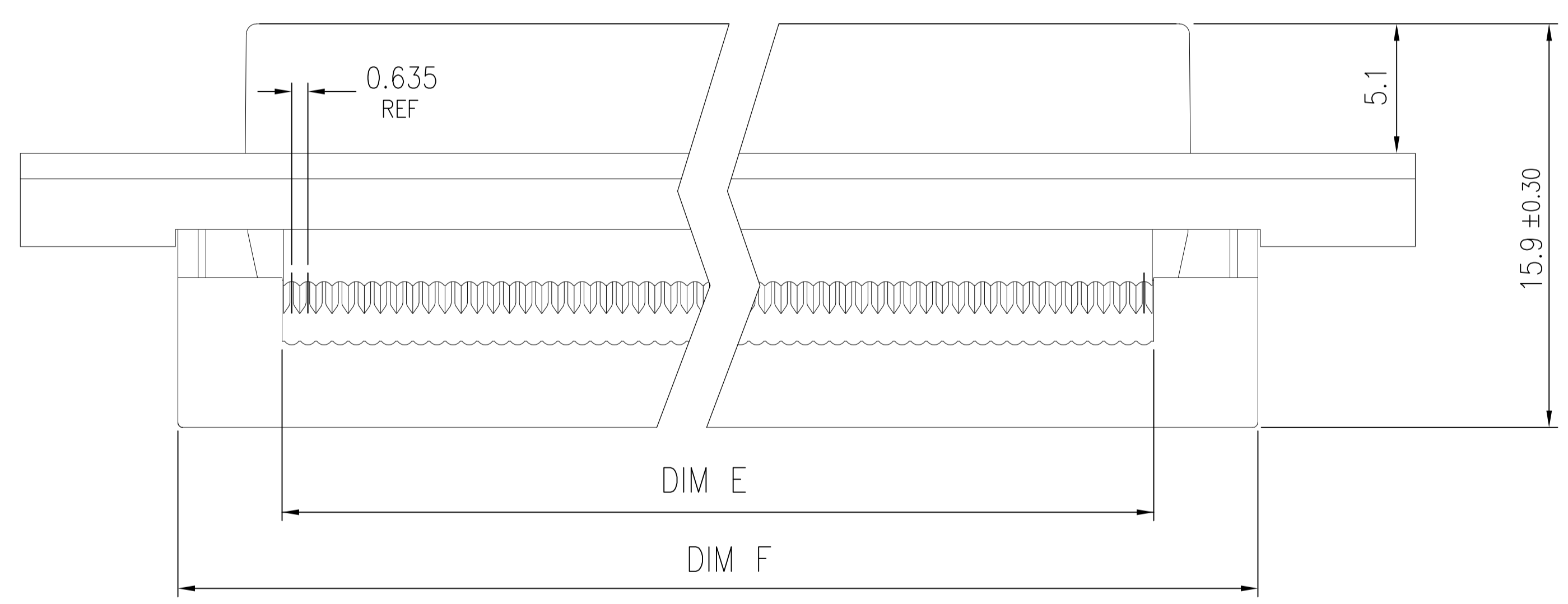
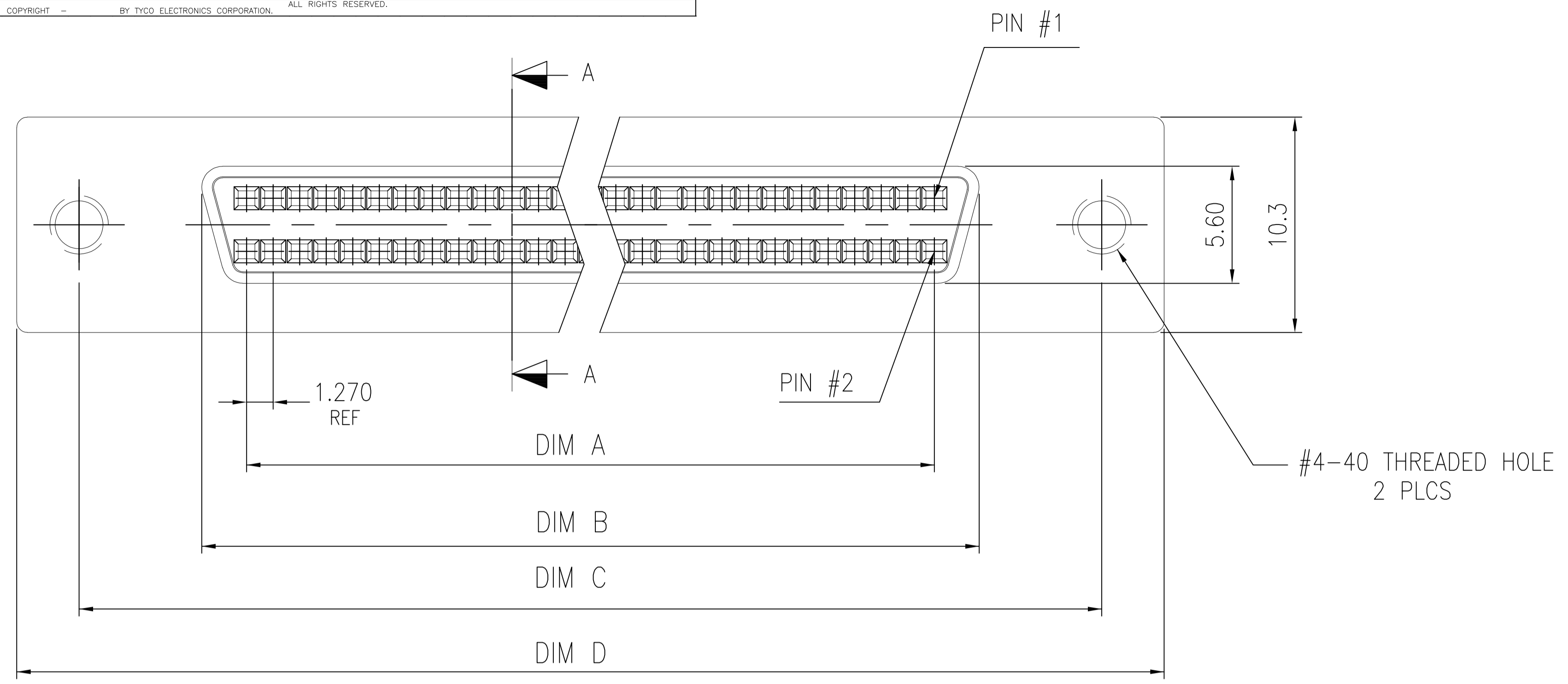
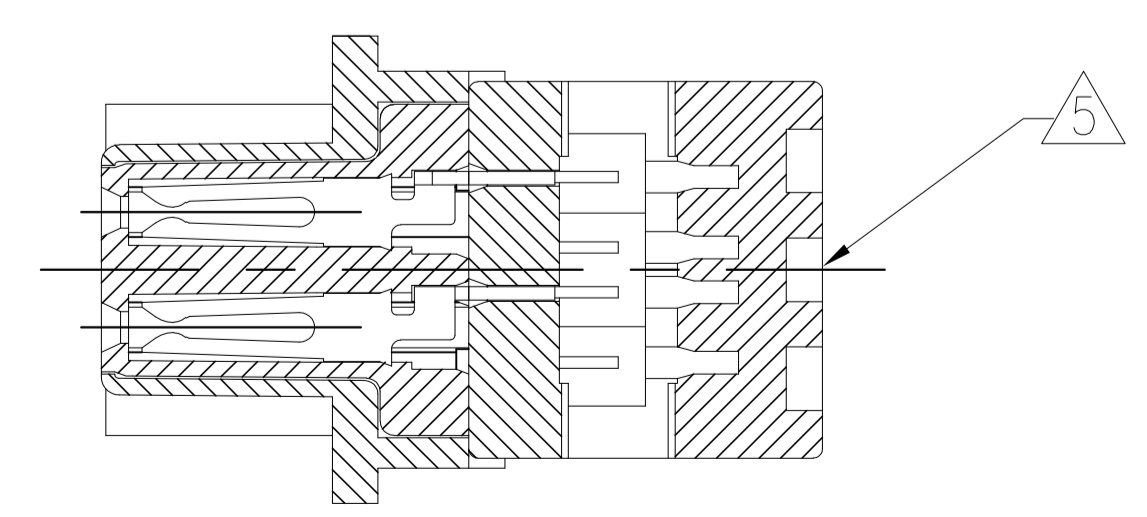


LOC	DIST	REVISIONS			
GP	00	REV	DESCRIPTION	DATE	BY
B		1	REVISED PER ECO-09-026043	15JAN2010	CR SB
B1		1	REVISED PER ECO-10-002990	30JAN2010	KK HMR



- 1 HOUSING: PBT, 30% GLASS REINFORCED, UL94V-0, COLOR BLACK.
CONTACTS: PHOS. BRONZE.
BRACKET: ZINC ALLOY.
- 2 CONTACTS: GOLD PLATED (SEE TABLE) ON MATING END, 1.27um [.000050in] MIN MATTE TIN ON TERMINATION AREA, ALL OVER 1.27um [.000050in] MIN NICKEL ON ENTIRE CONTACT.
BRACKET: 1.27um [.000050in] MIN NICKEL.
- 3 SPECIFICATIONS:
CURRENT RATING: 1A.
VOLTAGE RATING: 30V AC.
INSULATION RESISTANCE: 1000 MILLIOHMS MIN. AT 500V DC.
CONTACT RESISTANCE: 55 MILLIOHMS MAX.
DIELECTRIC WITHSTANDING VOLTAGE: 250V AC FOR 1 MINUTE.
CONTACT RETENTION FORCE: 600 gf MIN.
TOTAL INSERTION FORCE: 4 Kgf MAX. (FORCE DEPENDENT ON MATING CONNECTOR)
TOTAL WITHDRAWAL FORCE: 1.5 Kgf MAX. (FORCE DEPENDENT ON MATING CONNECTOR)
WIRE COVER RETENTION FORCE: 6 Kgf MIN.
OPERATION TEMPERATURE: -55°C TO 85°C.
- 4 FOR USE WITH 30 & 32 AWG FLAT RIBBON CABLE.
SELECTION OF COMPATIBLE RIBBON CABLE AND APPLICATION TOOLING FOR USE WITH THIS PRODUCT IS THE RESPONSIBILITY OF THE USER.
- 5 TYCO LOGO LOCATED ON THIS SURFACE.
- 6. SPECIFICATIONS SUBJECT TO CHANGE WITHOUT NOTICE.
CONTACT TYCO ELECTRONICS FOR THE LATEST SPECIFICATIONS.
- 7. PACKAGED IN TRAYS.



SEC. A-A

SUP BY	51.5	43.30	63.90	57.93	46.20	41.91	0.38um [.000015in]	68	1-5390378-7
OBSOLETE	40.07	31.87	52.47	46.50	34.77	30.48	0.38um [.000015in]	50	1-5390378-5
	51.5	43.30	63.90	57.93	46.20	41.91	0.76um [.000030in]	68	5390378-7
OBSOLETE	40.07	31.87	52.47	46.50	34.77	30.48	0.76um [.000030in]	50	5390378-5
	DIM F	DIM E	DIM D	DIM C	DIM B	DIM A	CONTACT FINISH	NO OF POS	PART NUMBER

THIS DRAWING IS A CONTROLLED DOCUMENT.

DIMENSIONS: mm	TOLERANCES UNLESS OTHERWISE SPECIFIED:	DIN J. GERACE 26JAN05	Tyco Electronics Corporation Harrisburg, Pa 17105-3608
0 PLC ± -	1 PLC ± 0.15	CIK S. SHUEY 26JAN05	
2 PLC ± 0.10	3 PLC ± -	AP/ID M. WALMSLEY 26JAN05	NAME RECEPTACLE ASSEMBLY, 0.64[.025] CENTERLINE, AMPLIMITE 1.27[.050] SERIES
4 PLC ± -	ANGLES ± -	APPLICATION SPEC 3	SIZE A1
MATERIAL 1	FINISH 2	WEIGHT -	CAGE CODE 00779
CUSTOMER DRAWING		SCALE 1:1	SHEET 1 OF 1 REV B1