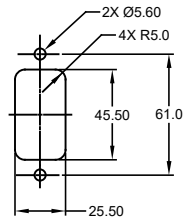
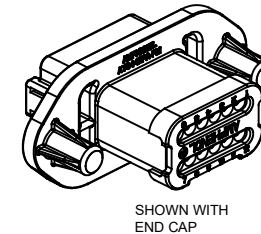
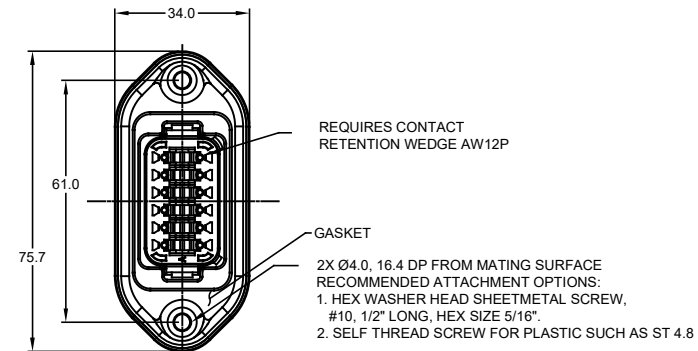
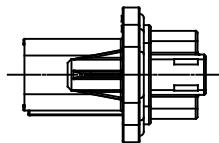
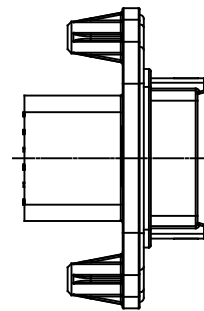
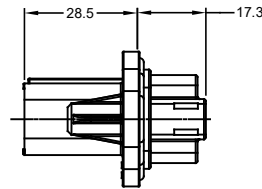


REVISIONS

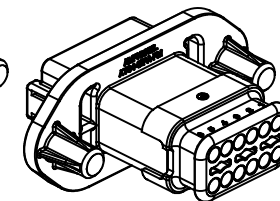
| REV | ECO | DESCRIPTION  | DATE    | BY    | APPR  |
|-----|-----|--|---------|-------|-------|
| A1  | -   | RELEASE  | 14JUL15 | JAH   |       |
| A2  | -   | UPDATE   | 27OCT15 | JARRY | TOMMY |
| A3  | -   | ADDED -15 & -16 OPTIONS<br>ADDED COLORS TO NOTE #1 | 23MAR18 | JAH   |       |



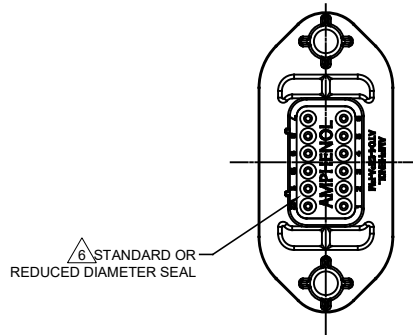
MOUNTING PLATE SIZE



SHOWN WITH END CAP



SHOWN WITH STRAIN RELIEF



NOTES: UNLESS OTHERWISE SPECIFIED

- MATERIAL:  
HOUSING: THERMOPLASTIC; COLOR: PER KEY OPTION  
END CAP: THERMOPLASTIC; COLOR: BLACK  
STRAIN RELIEF CAP: THERMOPLASTIC; COLOR: BLACK  
SEALS: SILICONE RUBBER; COLOR: RED
- MODIFICATIONS: FLANGE, GASKET, END CAP (OPT), STRAIN RELIEF CAP (OPT), REDUCED DIAMETER SEAL (OPT).
- SPECIFICATIONS:  
3.1 CURRENT RATING: 13 AMPS  
3.2 OPERATING TEMPERATURE: -55°C TO +125°C  
3.3 DIELECTRIC WITHSTANDING VOLTAGE: LESS THAN 2 MILLIAMPS CURRENT LEAKAGE @ 1500 VOLTS AC.  
3.4 INSULATION RESISTANCE: 1000 MEGOHMS MIN @ 25°C.  
3.5 MOISTURE RESISTANCE: IP67 ( MATED CONDITION )  
3.6 MATING CYCLE DURABILITY: 100 CYCLES  
3.7 RoHS COMPLIANT
- MATING PART: AT06-12SX\* PLUG  
( X = A,B,C,D KEYS; \* = MODIFICATIONS AND COLORS )
- ALL DIMENSIONS ARE FOR REFERENCE USE ONLY.

CONTACT SIZE AND REAR SEAL WIRE RANGE

REDUCED DIAMETER SEAL:

| CONTACT SIZE | MIN. INSUL O.D.   | MAX. INSUL O.D.   | TYPICAL WIRE RANGE |
|--------------|-------------------|-------------------|--------------------|
| 16           | 1.35 mm (.053 in) | 3.05 mm (.120 in) | 14 - 20 AWG        |

STANDARD SEAL:

| CONTACT SIZE | MIN. INSUL O.D.   | MAX. INSUL O.D.   | TYPICAL WIRE RANGE |
|--------------|-------------------|-------------------|--------------------|
| 16           | 2.24 mm (.088 in) | 3.68 mm (.145 in) | 14 - 20 AWG        |

| SEE SHEET 2 FOR KEYS                 |                | PART NUMBER  |  | DESCRIPTION  |  | ITEM |
|--------------------------------------|----------------|--|--|--|--|------|
| QUANTITY                             | MATERIALS LIST |  |  |  |  |      |
| UNLESS OTHERWISE SPECIFIED           |                | SIGNATURES   |  | DATE   |  |      |
| 1) All dimensions are in metric (mm) |                | DRAWN: J. HEAD   |  | 14JUL15  |  |      |
| 2) Tolerances are as follows:        |                | CHECKED:   |  |  |  |      |
| 1 PL DEC ±0.30                       |                | ENGINEER:  |  |  |  |      |
| 2 PL DEC ±0.15                       |                | APPROVAL:  |  |  |  |      |
| 3 PL DEC ±0.08                       |                | CUSTOMER:  |  |  |  |      |
| 3) Note reference =                  |                | THIS DRAWING IS SUPPLIED FOR INFORMATION ONLY. DESIGN FEATURES, SPECIFICATIONS AND PERFORMANCE DATA SHOWN HEREON ARE THE PROPERTY OF THE AMPHENOL CORPORATION. NO RIGHTS OF REPRODUCTION ARE IMPLIED. ALL DIMENSIONS ARE SUBJECT TO NORMAL MANUFACTURING VARIATIONS. |  | SCALE: NONE  |  |      |
| MATERIAL SPECIFICATIONS:             |                | CUSTOMER:  |  | RECEPTACLE, 12 PIN, AT SERIES, W/FLANGE  |  |      |
| PROCESS SPECIFICATIONS:              |                | NEXT ASSY:   |  | SIZE: B C- TYPE: AT04-12PX-PMXX REVISION: A3   |  |      |
|                                      |                |  |  | SINE SYSTEMS - www.amphenol-sine.com<br>44724 Morley Drive<br>Clinton Township, MI 48036 |  |      |
|                                      |                |  |  | SHEET 1 OF 2   |  |      |

TITLE: RECEPTACLE, 12 PIN, AT SERIES, W/FLANGE DWG NO.: AT04-12PX-PMXX REV: A3 SHEET 1 OF 2

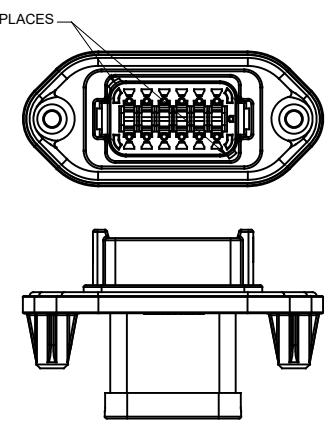
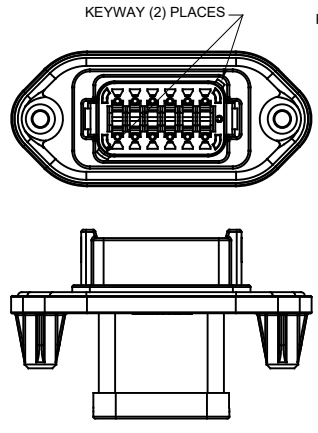
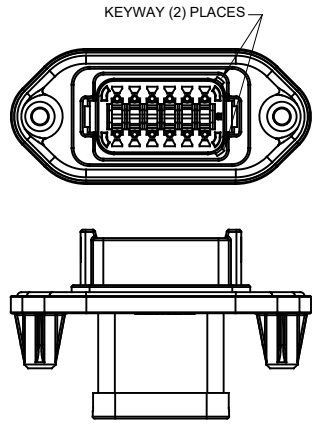
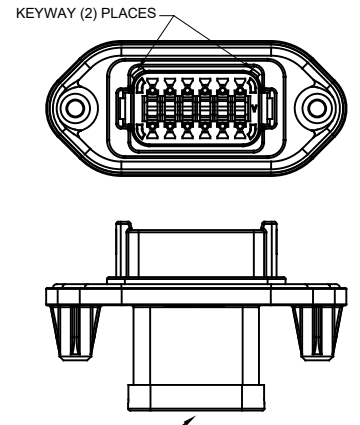
| REVISIONS |     |  |         |       |       |
|-----------|-----|--|---------|-------|-------|
| REV       | ECO | DESCRIPTION  | DATE    | BY    | APPR  |
| A1        | -   | RELEASE  | 14JUL15 | JAH   |       |
| A2        | -   | UPDATE   | 27OCT15 | JARRY | TOMMY |
| A3        | -   | ADDED -15 & -16 OPTIONS<br>ADDED COLORS TO NOTE #1 | 23MAR18 | JAH   |       |

P/N AT04-12PA-PMXX  
KEY-A CONFIGURATION  
STANDARD HOUSING COLOR: GREY

P/N AT04-12PB-PMXX  
KEY-B CONFIGURATION  
STANDARD HOUSING COLOR: BLACK

P/N AT04-12PC-PMXX  
KEY-C CONFIGURATION  
STANDARD HOUSING COLOR: GREEN

P/N AT04-12PD-PMXX  
KEY-D CONFIGURATION  
STANDARD HOUSING COLOR: BROWN



KEY-A CONFIGURATION

| PART NUMBER    | SEAL         | END CAP | STRAIN RELIEF |
|----------------|--------------|---------|---------------|
| AT04-12PA-PM11 | STANDARD     | NO      | NO            |
| AT04-12PA-PM12 | REDUCED DIA. | NO      | NO            |
| AT04-12PA-PM13 | STANDARD     | YES     | NO            |
| AT04-12PA-PM14 | REDUCED DIA. | YES     | NO            |
| AT04-12PA-PM15 | STANDARD     | NO      | YES           |
| AT04-12PA-PM16 | REDUCED DIA. | NO      | YES           |

KEY-B CONFIGURATION

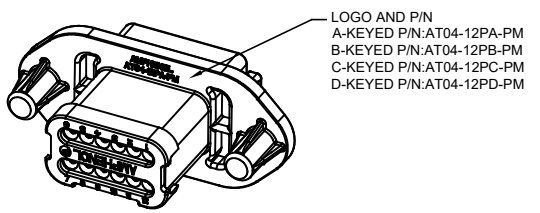
| PART NUMBER    | SEAL         | END CAP | STRAIN RELIEF |
|----------------|--------------|---------|---------------|
| AT04-12PB-PM11 | STANDARD     | NO      | NO            |
| AT04-12PB-PM12 | REDUCED DIA. | NO      | NO            |
| AT04-12PB-PM13 | STANDARD     | YES     | NO            |
| AT04-12PB-PM14 | REDUCED DIA. | YES     | NO            |
| AT04-12PB-PM15 | STANDARD     | NO      | YES           |
| AT04-12PB-PM16 | REDUCED DIA. | NO      | YES           |

KEY-C CONFIGURATION

| PART NUMBER    | SEAL         | END CAP | STRAIN RELIEF |
|----------------|--------------|---------|---------------|
| AT04-12PC-PM11 | STANDARD     | NO      | NO            |
| AT04-12PC-PM12 | REDUCED DIA. | NO      | NO            |
| AT04-12PC-PM13 | STANDARD     | YES     | NO            |
| AT04-12PC-PM14 | REDUCED DIA. | YES     | NO            |
| AT04-12PC-PM15 | STANDARD     | NO      | YES           |
| AT04-12PC-PM16 | REDUCED DIA. | NO      | YES           |

KEY-D CONFIGURATION

| PART NUMBER    | SEAL         | END CAP | STRAIN RELIEF |
|----------------|--------------|---------|---------------|
| AT04-12PD-PM11 | STANDARD     | NO      | NO            |
| AT04-12PD-PM12 | REDUCED DIA. | NO      | NO            |
| AT04-12PD-PM13 | STANDARD     | YES     | NO            |
| AT04-12PD-PM14 | REDUCED DIA. | YES     | NO            |
| AT04-12PD-PM15 | STANDARD     | NO      | YES           |
| AT04-12PD-PM16 | REDUCED DIA. | NO      | YES           |



| QUANTITY   | PART NUMBER  | DESCRIPTION   | ITEM                       |
|--|--|---|----------------------------|
| <b>MATERIALS LIST</b>  |  |   |                            |
| UNLESS OTHERWISE SPECIFIED<br>1) All dimensions are in metric (mm).<br>2) Tolerances are as follows:<br>1 PL DEC ±0.30   Fractions ± 1/64<br>2 PL DEC ±0.15   Angles ±1°<br>3 PL DEC ±0.08 |  | SIGNATURES   DATE<br>DRAWN: J.HEAD   14JUL15<br>CHECKED: _____<br>ENGINEER: _____<br>APPROVAL: _____        |                            |
| MATERIAL SPECIFICATIONS:   |  | <b>Amphenol</b><br>Sine Systems - www.amphenol-sine.com<br>44724 Morley Drive<br>Clinton Township, MI 48036 |                            |
| PROCESS SPECIFICATIONS:  |  | RECEPTACLE, 12 PIN, AT SERIES,<br>W/FLANGE  |                            |
| NEXT ASSY:   | THIS DRAWING IS SUPPLIED FOR INFORMATION ONLY. DESIGN FEATURES, SPECIFICATIONS AND PERFORMANCE DATA SHOWN HEREON ARE THE PROPERTY OF THE AMPHENOL CORPORATION. NO RIGHTS OF REPRODUCTION ARE IMPLIED. ALL DIMENSIONS ARE SUBJECT TO NORMAL MANUFACTURING VARIATIONS. | SIZE: B C-   TYPE: AT04-12PX-PMXX   DWG NO: A3   REVISION: A3   | SCALE: NONE   SHEET 2 OF 2 |

TITLE: RECEPTACLE, 12 PIN, AT SERIES, W/FLANGE | DWG NO: AT04-12PX-PMXX | REV: A3 | SH: 2 | OF: 2