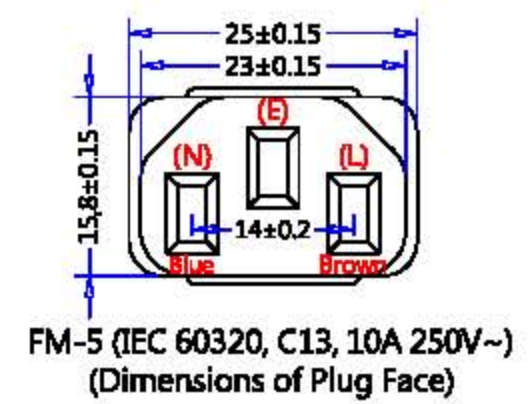
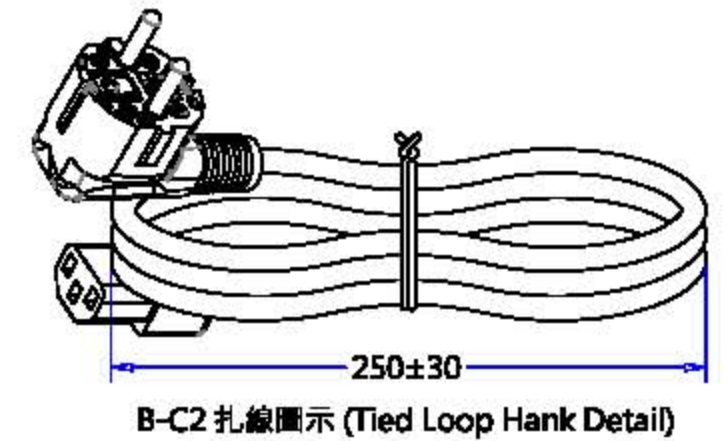
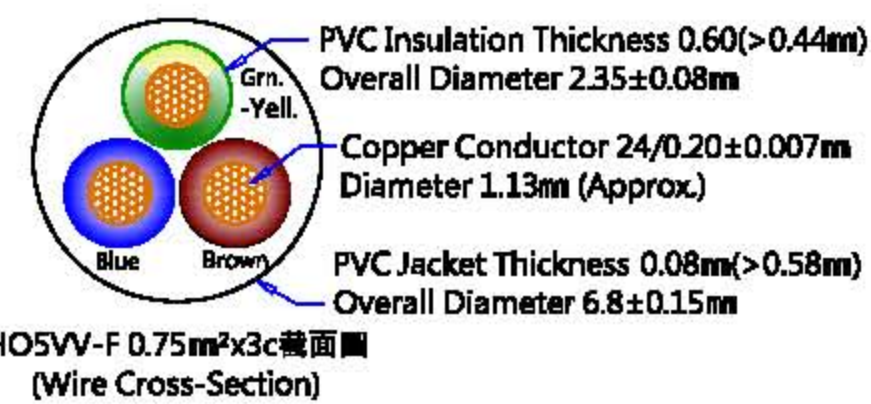
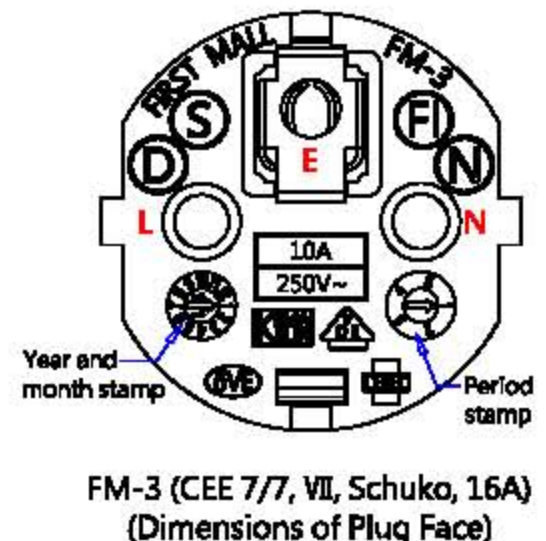
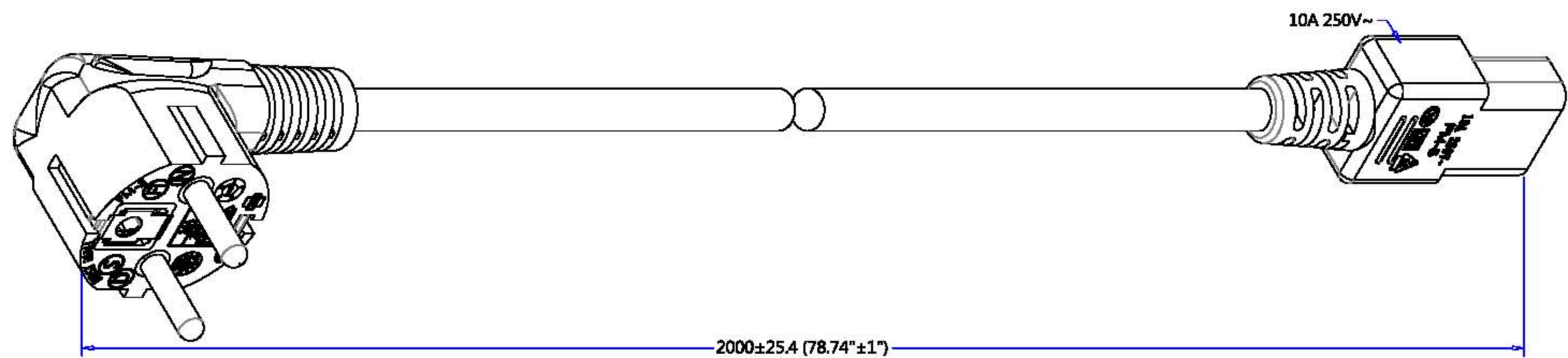


插頭部件 (Plug Component)			頭部剝皮尺寸 (Dimensions)			線材規格 (Wire Styls)	尾部剝皮尺寸 (Dimensions)			尾插部件 (Connector Component)		
顏色(Color)	零件描述(Component)	Qty.	內剝(Strip)	外剝(ROJ)	顏色(Color)		外剝(ROJ)	內剝(Strip)	顏色(Color)	規格描述(Instruction)	Qty.	顏色(Color)
45P 黑色 (Black)	FM-3 (CEE7 st. sh VII, RA, Schuko, 16A 250V~)	1	8±1	35±2	棕/Brown(L)	HO5VV-F 0.75mm ² x3C 70°C 黑色 (BLACK) Length : 2050.8±25.4 (80.74"±1")	16 ±1	5 ⁺¹ ₋₀	棕/Brown(L)	FM-5 (IEC 60320, C13, 10A 250V~)	1	45P 黑色 (Black)
黑色 (Black)	φ4.76 法國頭支架, GEM 98651 (VDE Plug Insert)	1	8±1	35±2	藍/Blue(N)		16 ±1	5 ⁺¹ ₋₀	藍/Blue(N)	2.0*4.0 方響端子 (2.0*4.0 Receptacle Terminal)	3	銅本色 (Brass-Natural)
			8±1	35±2	綠注黃 (E) Green-Yellow		16 ±1	5 ⁺¹ ₋₀	綠注黃 (E) Green-Yellow	GA005-5 兩件式內模 (2.0*4.0 Serial Housing)	1	米白色 (Off-White)



REV	DATE	REVISE CONTENT
A	03/07-2013	The first edition is issued and drawing.

NOTE:
 1. Hi-Pot Test : 2000V/1Sec ; <0.5mA.
 2. Insulation Resistance Test : DC 500/min>100 meg-ohm.
 3. Continuity & Polarization Test : No short circuit, break circuit, displacement.
 4. Each end terminal shall be capable of withstanding a pull of 25lbs for 1 minutes without loosening.
 5. Strain relief shall be capable of withstanding a pull of 35lbs for 1 minutes without loosening.
 6. All material according to Non-toxic standard.(Material must be RoHS compliant.)

線材印字 (Wire Printed)		充實, 油墨印字 (Un-Fillers, Printing Ink)		CnC Tech, LLC		
包裝方式 (Packing)		DRAWN		Industrial Cable and Connector Technology		
Tied Hank	See Hank Detail	Chu8.		CUSTOMER	CnC	
Carton Size	480 x 320 x 230	DATE		P/N No.	800-0.75-2VX-BL-00200	
Pack Number	100 pcs	03/07-2013		MATERIAL	PVC	UNIT m
Carton Print	See Purchase Order	TYPE		Customer Approval		
DRAWING NO.	067MM101	REV	A			

業務投圖 :
品質投圖 :