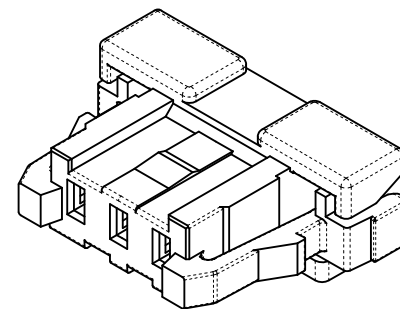
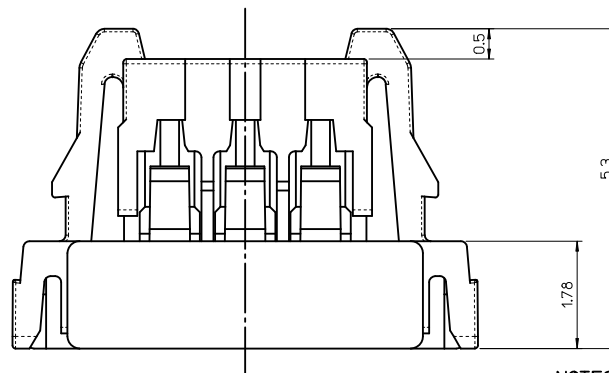
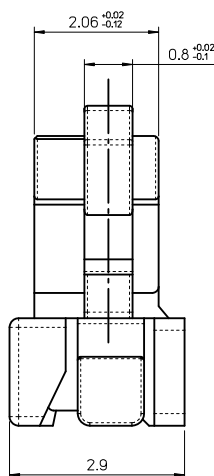
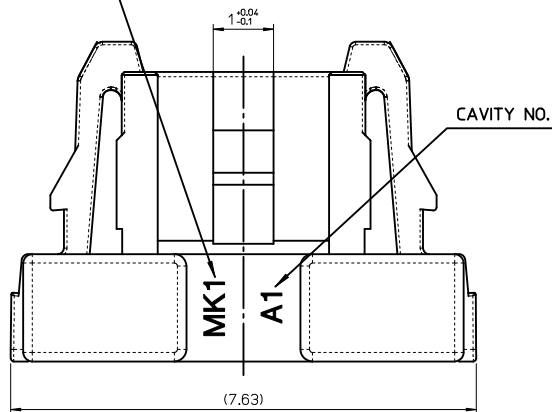


MATED CONDITION
(REFERENCE)

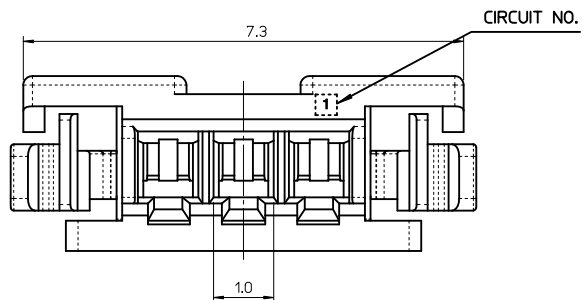


TRADE MARK



NOTES.

- MATED WITH : 104130-0310
- MATERIAL : LCP E130i, GLASS FILLED, UL94V-0 HALOGEN FREE, COLOR OF NATURAL
- APPLICABLE TERMINAL : 104539-8102



RELEASED EC NO: KOR2012-0059 DRWN: JHPARK01 2011/12/19 CHKD: SHCHU 2011/12/19 APPR: YUNSIKKIM 2011/12/29	QUALITY SYMBOLS	GENERAL TOLERANCES (UNLESS SPECIFIED)	DIMENSION STYLE		SCALE	DESIGN UNITS	THIRD ANGLE PROJECTION
	$\nabla=0$ $\sphericalangle=0$		mm	INCH	MM ONLY	METRIC	
REV A	DESCRIPTION	4 PLACES	± ---	± ---	DRAWN BY	DATE	TITLE
		3 PLACES	± ---	± ---	JHPARK01	2011/12/19	1.25MM WTB CONN. HOUSING 3P (POSITIVE LOCKING)
		2 PLACES	± 0.15	± ---	CHECKED BY	DATE	
		1 PLACE	± 0.20	± ---	SHCHU	2011/12/19	
		ANGULAR ± 1°		APPROVED BY	DATE	MOLEX MOLEX INCORPORATED	
		DRAFT WHERE APPLICABLE MUST REMAIN WITHIN DIMENSIONS		YUNSIKKIM	2011/12/29	DOCUMENT NO.	SHEET NO.
				MATERIAL NO.	1041310300		SD-104131-001
				SIZE	THIS DRAWING CONTAINS INFORMATION THAT IS PROPRIETARY TO MOLEX INCORPORATED AND SHOULD NOT BE USED WITHOUT WRITTEN PERMISSION		
				A3	1 OF 01		