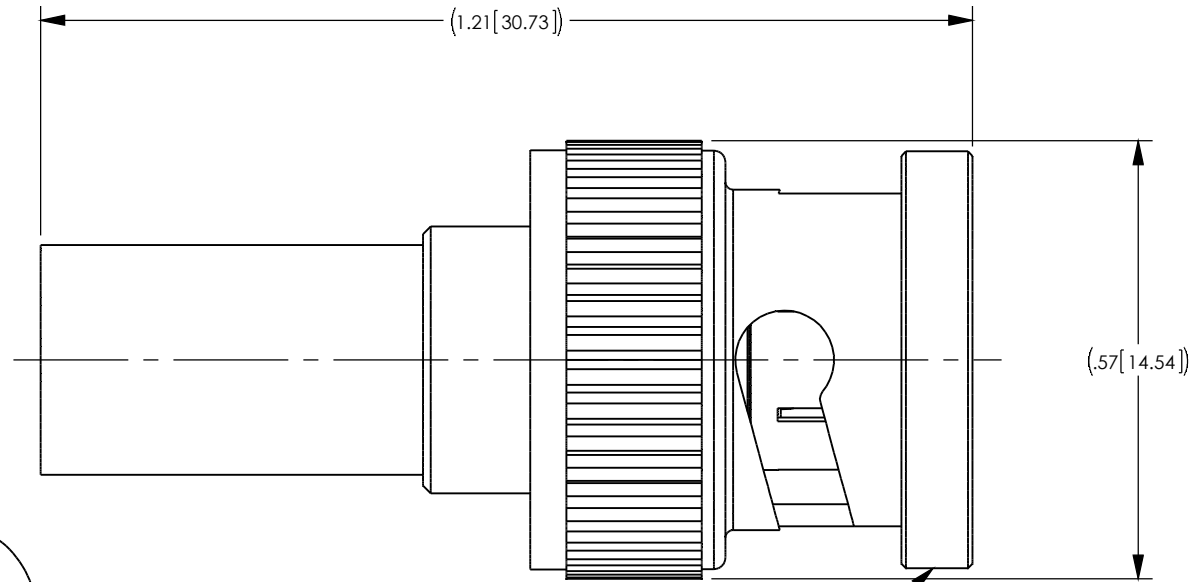


NOTES: UNLESS OTHERWISE SPECIFIED

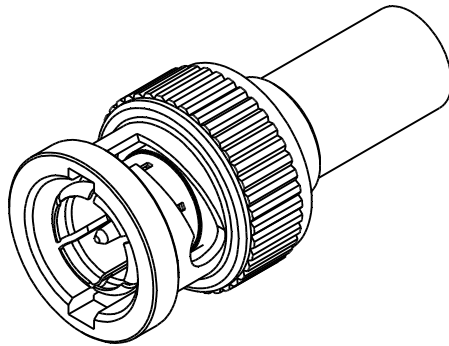
1. FOR USE WITH BELDEN 9529, 1505A & 1805F CABLES.
2. FOR CABLING INSTRUCTIONS SEE 3-661-1.
3. FOR CABLE TRIMMING USE KTJ-57 & KTD-26.
4. FOR CRIMPING USE DIE KTH-2261.
5. INTERFACE PER KINGS ES-17, FIG. 6
6. MATERIAL SPECIFICATIONS:
 INSULATOR: TEFLON, ASTM-D-4894 OR ASTM D1710
 GASKET: SILICONE RUBBER, A-A-59588
 SPRING WASHER, OUTER CONTACT: BERYLLIUM COPPER PER ASTM B196
 K-GRIP SLEEVE: COMMERCIAL BRONZE, ASTM B135
 ALL OTHER METAL PARTS: BRASS PER ASTM B16
7. FINISH SPECIFICATIONS:
 CENTER CONTACT: GOLD PLATE PER MIL-G-45204
 SPRING WASHER: SILVER PLATE PER QQ-S-365 OR NICKEL PLATE PER QQ-N-290
 ALL OTHER METAL PARTS: NICKEL PLATE PER QQ-N-290
8. ELECTRICAL SPECIFICATIONS:
 IMPEDANCE: 75 OHMS
 WORKING VOLTAGE: 500 VOLTS RMS
 FREQUENCY RANGE: DC - 12 GHz
 RETURN LOSS: -30dB MAX TO 3.0 GHz
 -20dB MAX TO 6.0 GHz
9. COMPLIANT TO 3G/6G/12G SDI SMPTE REQUIREMENTS.

REV	DESCRIPTION	BY DATE	APPD
P	ER057798	04/10/15	VA



MARK: KINGS 2065-2-9 (DATE CODE)

CATALOG P/N: 2065-2-9



PER ASME Y14.5M-1994
 UNLESS OTHERWISE SPECIFIED:
 DIMENSIONS ARE IN INCHES [MM]
 TOLERANCES:
 DECIMAL: .XX [X.X] ± .01 [0.25]
 .XXX [X.XX] ± .004 [0.10]
 .XXXX [X.XXX] ± .XXXX
 ANGLES: ± 2° SCALE: 4:1

KINGS
 by WINCHESTER Winchester Electronics Corporation
 ELECTRONICS 199 Park Road Ext Suite 104
 Middlebury, Connecticut 06762

CUSTOMER DRAWING		THIRD ANGLE	
DRAWN	DATE	APPROVED	DATE
TML	01/11/99	DCT	01/11/99
APPROVED	DATE	APPROVED	DATE
XXX	XX/XX/XX	XXX	XX/XX/XX

75 OHM BNC PLUG FOR BELDEN 1505A OR EQUIVALENT CABLE (RoHS)			
A	SD2065-2-9	SHT OF	REV
		1 1	P