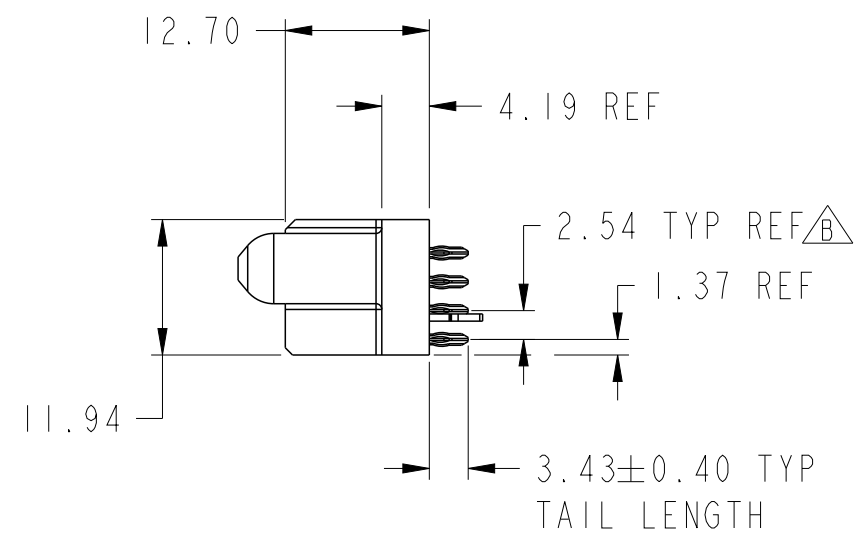
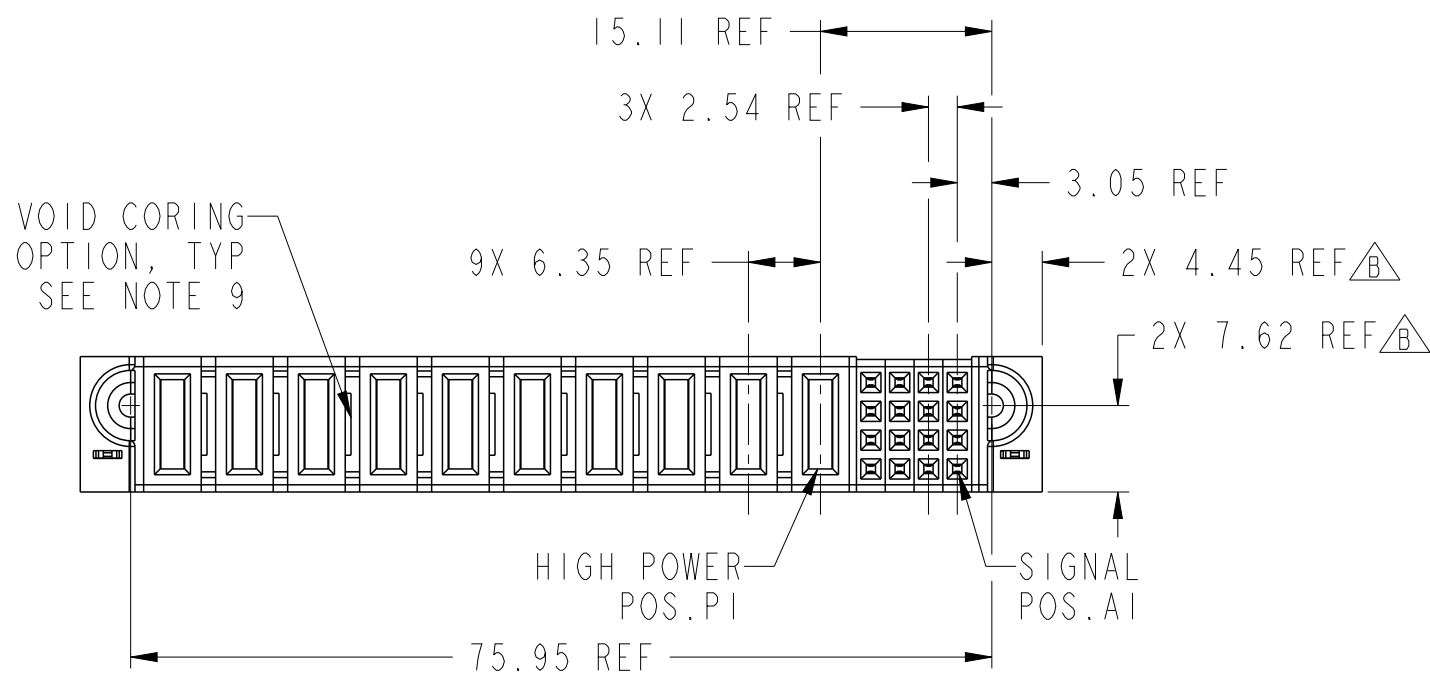
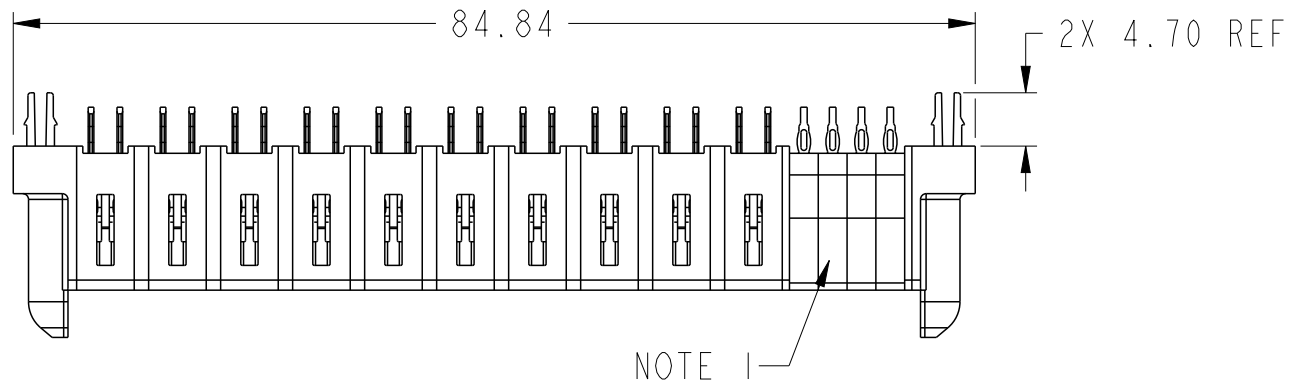
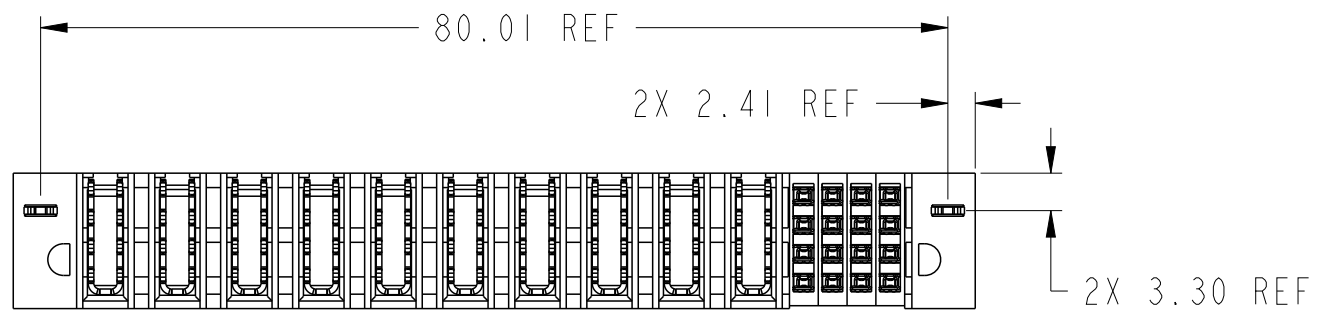


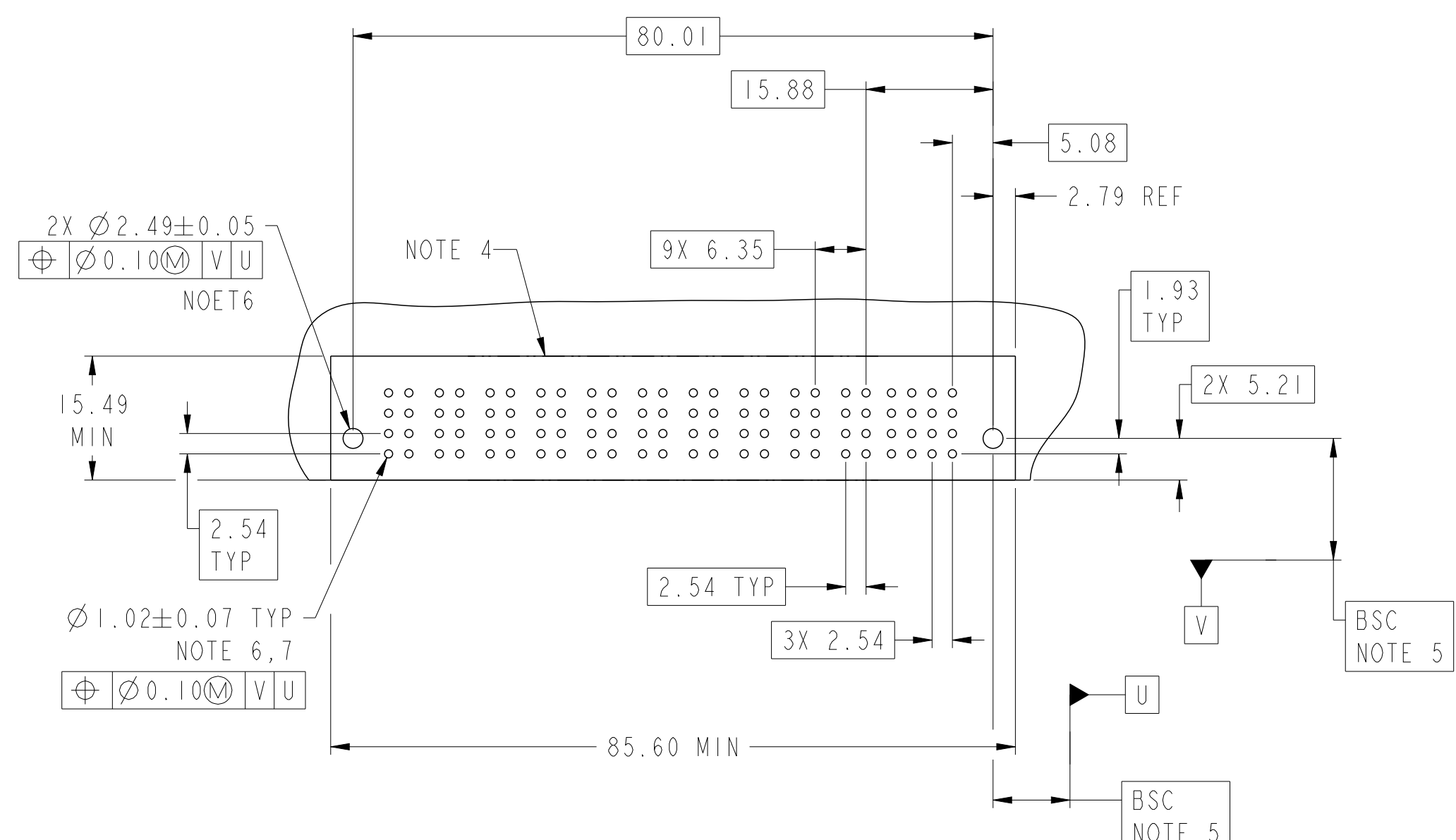
PART NUMBER 10106131-A004001LF



spec ref -		dr Helen Zhang	2011/09/24	projection	MM	size A3	scale 3:2
tolerance std ISO 406 ISO 1101		TOLERANCES UNLESS OTHERWISE SPECIFIED				ecn no ELX-DG-013146-1	
surface ✓		eng Peng-Bing Fu	2012/11/13			product family PwrBlade+	rel level Released
ISO 1302	linear	0.X	±0.50		title 16S + 10HP VERTICAL PF RECEPTACLE	dwg no 10106131-A004001	rev B
		0.XX	±0.25				
		0.XXX	±0.10				
	angular	0°	±2°	www.fci.com	cat. no. -	Product - Customer Drw	sheet 1 of 3

PRODUCT NUMBER	ROWS	POWER										SIGNAL			
		P10	P9	P8	P7	P6	P5	P4	P3	P2	P1	4	3	2	1
10106131-A004001LF	D C B A	H H H H H H H H H H H										S S S S S S S S S S S S			

CODE	DESCRIPTION
H	STD HIGH POWER CONTACT
S	STD SIGNAL CONTACT
HA	HOLD DOWN



Copyright FCI.

dr	Helen Zhang	2011/09/24	projection 	MM	size	A3	scale	3:2
eng	Peng-Bing Fu	2012/11/13			ecn no	ELX-DG-013146-1		
chr	Tian-Xu Huang	2012/11/13			product family	PwrBlade+	rel level	Released
appr	Pei-Ming Zheng	2012/11/13					title 16S + 10HP VERTICAL PF RECEPTACLE	dwg no 10106131-A004001
www.fci.com		cat. no.	-		Product - Customer Drw		sheet 2 of 3	

NOTES:

- 1) "FCI", PART NUMBER AND DATE CODE TO BE MARKED ON THIS SURFACE.
THE P/N CAN BE OMITTED IF THERE IS NOT ENOUGH SPACE ON THIS SURFACE.
- 2) MATERIALS:
-HOUSING - GLASS FILLED WITH HIGH TEMP THERMOPLASTIC, UL94V-0.
-SIGNAL CONTACT - COPPER ALLOY.
-POWER CONTACT - HIGH CONDUCTIVITY COPPER ALLOY.
- 3) PLATING SPECIFICATION REFER TO FCI 10116351.
- 4) DENOTES CONNECTOR KEEP OUT ZONE.
- 5) DATUM AND BASIC DIMENSIONS WERE ESTABLISHED BY CUSTOMER.
- 6) ALL HOLE DIAMETERS ARE FINISHED HOLE SIZES.
- 7) 1.15 ± 0.025 MM DRILLED HOLE PLATED WITH 0.00762MM MIN Sn
OVER 0.0254-0.0762MM Cu PLATING TO ACHIEVE A 1.02 ± 0.07 MM HOLE.
- 8) PRODUCT SPECIFICATION REFER TO FCI GS-12-658.
APPLICATION SPECIFICATION REFER TO FCI GS-20-141.
PRODUCT PACKAGED IN TRAYS, REFER TO FCI GS-14-1502.
- 9) THE VOID CORING IN BETWEEN POWER MODULES, SIGNAL
MODULES AND END MODULES ARE OPTIONAL AND THE SHAPE
MAY BE DIFFERENT FOR OPTIMIZE THE MOLDING PROCESS. THE
VOID CORING WILL NOT EFFECT TO PRODUCT FUNCTION.
- 10) A $\triangle B$ SYMBOL WILL BE NEXT TO ANY DIMENSION, VIEW, OR NOTE
WHICH HAS BEEN MODIFIED WITH THE CURRENT DRAWING REVISION.



Copyright FCI.

dr	Helen Zhang	2011/09/24	projection 	MM 	size	A3	scale	3:2
eng	Peng-Bing Fu	2012/11/13			ecn no	ELX-DG-013146-1		
chr	Tian-Xu Huang	2012/11/13			product family	PwrBlade+	rel level	Released
appr	Pei-Ming Zheng	2012/11/13			title	16S + 10HP VERTICAL PF RECEPTACLE	dwg no	10106131-A004001
www.fci.com		cat. no.	-	Product - Customer Drw		sheet 3 of 3		