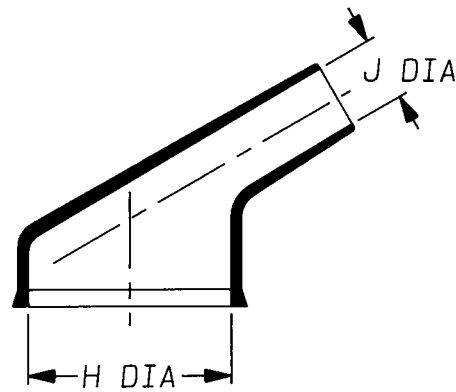
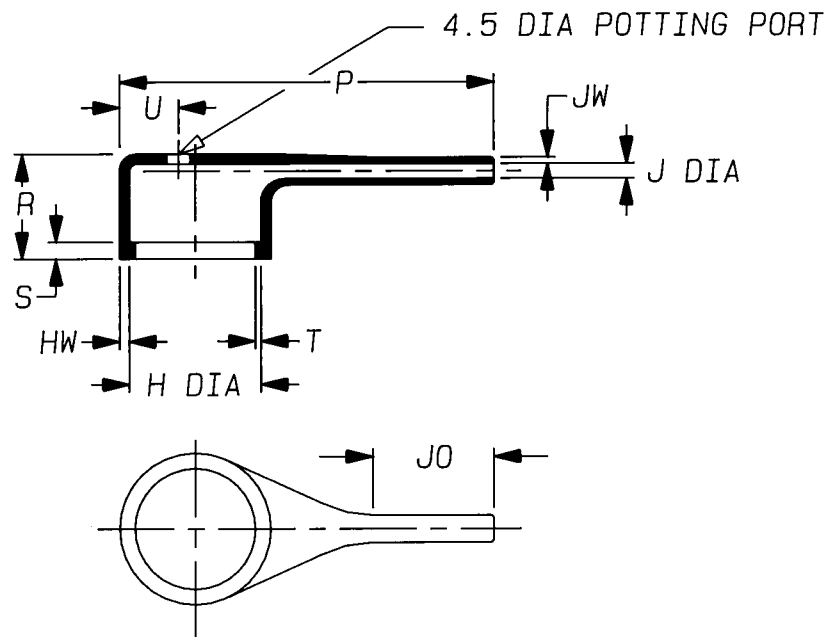


a) Part as supplied

222D9**-*-G11



b) Part after unrestricted recovery



DIMENSIONS (in millimetres)

Part No	H		J		P	R	S	T	U	JO	HW	JW
	Min	Max	Min	Max	10%	Ref	Ref	Ref	10%	10%	±20%	±20%
	a	b	a	b	b	b	b	b	b	b	b	b
222D921	19	13.0	6	2.1	36	16	3.0	1.0	6	13	1.5	1.1
222D932	26	19.1	8	2.6	55	18	3.0	1.0	8	17	1.8	1.1
222D953	34	26.0	10	3.1	65	19	3.0	1.0	11	20	1.8	1.1
222D963	44	34.1	11	3.6	90	21	3.0	1.7	16	21	1.8	1.1

#

#

THIS IS A TRIMMED VARIANT WITH POTTING PORT
MODIFIED DIMENSIONS ARE SHOWN THUS: - #

Copyright (!)

Urheberrechte

The copyright in this drawing is the property of Raychem Ltd. The drawing is issued on condition that it is not copied, reproduced or disclosed to a third party, either in whole or in part without the prior written consent of Raychem Ltd.

Drawn A.LILLEY. Checked *SL* Issue 1 Date May 1994

Conforms to ISO Recommendations
3rd Angle Projection
Not to Scale

Approval
Design

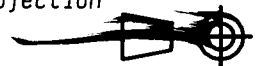
MKTG.

Q.C.

APB/ste

SL

Q.C.



Iss.	Date	E.C.R. No.	Details of Change

COMPATIBILITY CHART

MATERIAL DASH NUMBER	MATERIAL DESCRIPTION	COATING SLASH NUMBER
-3	POLYOLEFIN, SEMI-RIGID	/42, /86
-4	POLYOLEFIN, FLEXIBLE	/42, /86
-25	ELASTOMER, FLUID RESISTANT	/86, /225

AS SUPPLIED DIMENSIONS ARE FOR UNCOATED PARTS,
WHEN COATING IS ADDED, ENTRY DIAMETERS WILL REDUCE BY 1.5mm MAX.

Raychem
 Thermofit Division Europe,
 Swindon, Wiltshire, England.
 Telephone: (0793) 528171 Fax: 573923