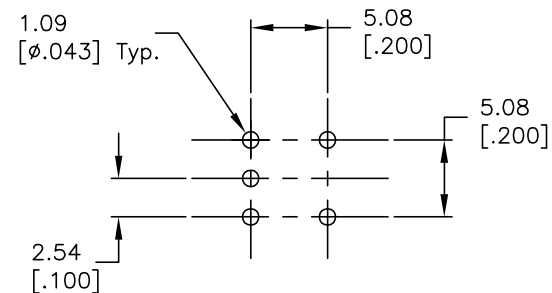
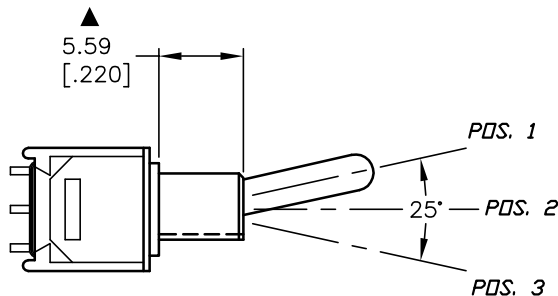


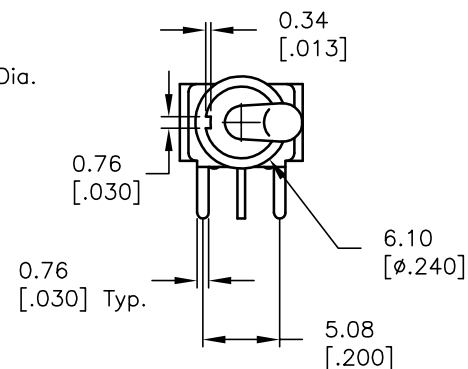
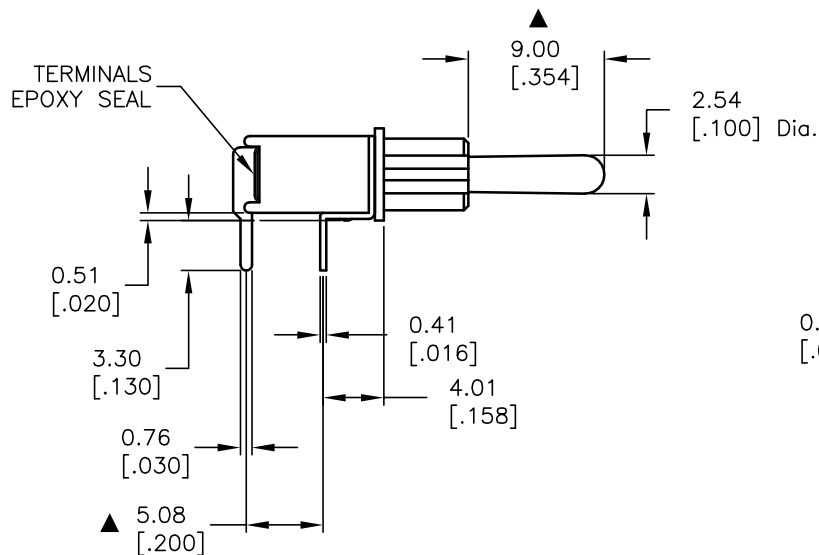
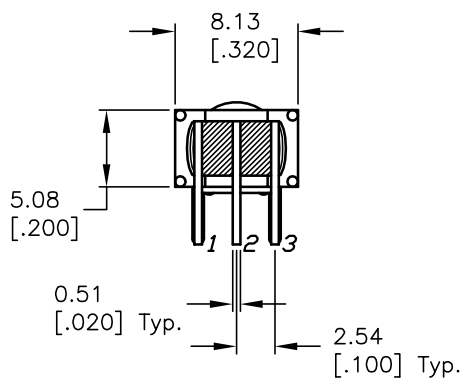
CIRCUIT: SPDT  
CONTACT CONFIGURATION

SWITCH FUNCTION		
PDS. 1	PDS. 2	PDS. 3
<DN>	OFF	<DN>
2-3	OPEN	2-1

<DN> = MOMENTARY



RECOMMEND P.C.B. LAYOUT



NOTES:

1. ALL DIMENSIONS IN MM [INCH]
2. GENERAL TOLERANCE: 0.0=±0.4  
0.00=±0.25
3. TERM. NOS. FOR REF. ONLY
- ▲ 4. CONTACT MATERIAL: BRASS WITH SILVER PLATE
5. RATING: 3AMPS @ 120VAC OR 28VDC; 1AMP @250VAC
6. OPERATING TEMP: -30°C TO +85°C
7. MECHANICAL LIFE: 30,000 MAKE-AND-BREAK CYCLES
8. ▲ DENOTES CRITICAL PARAMETER.

**E-SWITCH®**

TITLE  
200MSP4T1B4M6QE

A	14247	RELEASED FOR PRODUCTION	8/18/04	AR
REV.	ECN No.	DESCRIPTION	DATE	CHKD

THE INFORMATION CONTAINED IN THIS DOCUMENT IS PROPRIETARY TO E-SWITCH AND IS NOT TO BE COPIED OR TRANSFERRED

SCALE	DATE	DR	DWG	REV
2:1	8/18/04	AR	T214004	A