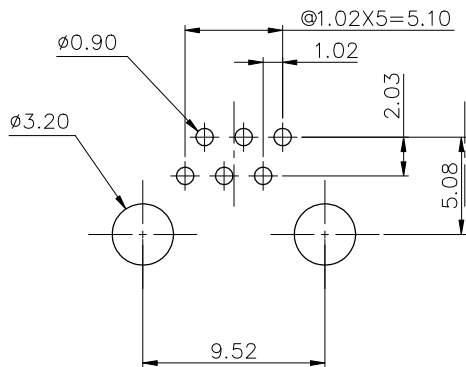
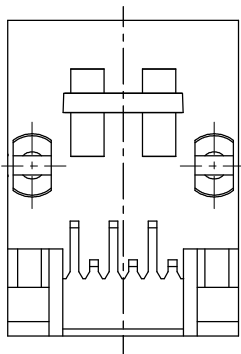
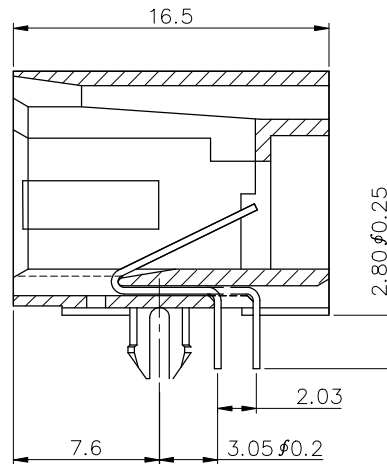
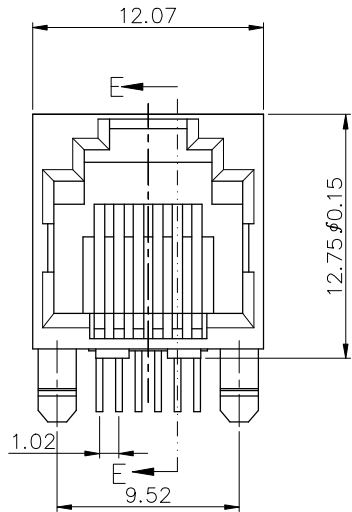


REVISION RECORD				
REV	ECO	DESCRIPTION	DRFT	CHKD



PC Board Layout Component Side Shown

SECCION E-E

NOTES:

ELECTRICAL:

- VOLTAGE RATING : 125 VAC RMS.
- CURRENT RATING : 1.5 AMP.
- CONTACT RESISTANCE : 30 MINIOHMS MAX.
- INSULATION RESISTANCE: 1000 MEGOHMS MIN @ 500 VDC.
- DIELECTRIC STRENGTH : 1000 VAC RMS 60Hz, 1MIN.

MECHANICAL:

- HOUSING MATERIAL : PBT+30%.G.F UL94V-0. COLOR-BLACK
- CONTACT MATERIAL : PHOSPHOR BRONZE ϕ 0.46mm
- PLATING : 1: CONTACT AREA- SELECTIVE GOLD PLATING.
2: TAILS- 150u" TIN-LEAD MIN OVER 50u" NICKEL.
- OPERATING LIFE : 750 CYCLES MIN.
- PCB RETENTION PRE-SOLDER : 1 LB MIN.
- PCB RETENTION POST-SOLDER: 10 LBS MIN.

ENVIRONMENTAL:

- STORAGE : -40°C TO +85°C.
- OPERATION: -40°C TO +85°C.

MATES WITH MODULAR PLUG CONFORMING TO FCC PART 68, SUBPART F.

PART NUMBER: E5R6X-50LOHX-L

- | | | |
|-------|--------|--------|
| 2- 2C | 1- 3u" | 2- 6u" |
| 4- 4C | 3-15u" | 4-30u" |
| 6- 6C | 5-50u" | |

DETACHED LISTS	MM (INCH)		DFTO CZH	DATE 10/9/2K
	TOLERANCES EXCEPT AS NOTED		CHKD XFY	DATE 10/10/'00
			MFO BOTON	DATE 10/10/'00
	MM	±	APPVL	DATE
	.0 ± 0.2	±		
.00 ± 0.15	±			
.000 ± 0.075	±			
ANGLES ± 0.5		MATERIAL :		
THIRD ANGLE PROJECTION		QTY :		
		FINISH :		
		SCALE : 3.5 : 1		



RoHS Compliant

FULL RISE ELECTRONIC CO., LTD

TITLE
RJ-01 SINGLE PORT PCB JACK

DRAWING NO. GE5R3001-LC
/PART NO. SEE NOTE

DO NOT SCALE DRAWING

SIZE A3
REV 10/9/'00

SHEET 1 OF 1