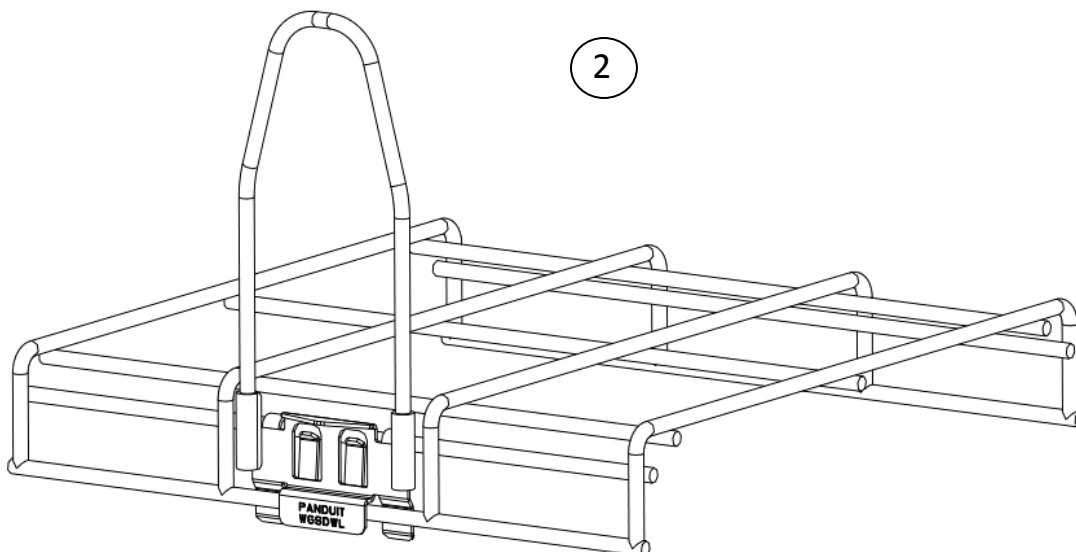
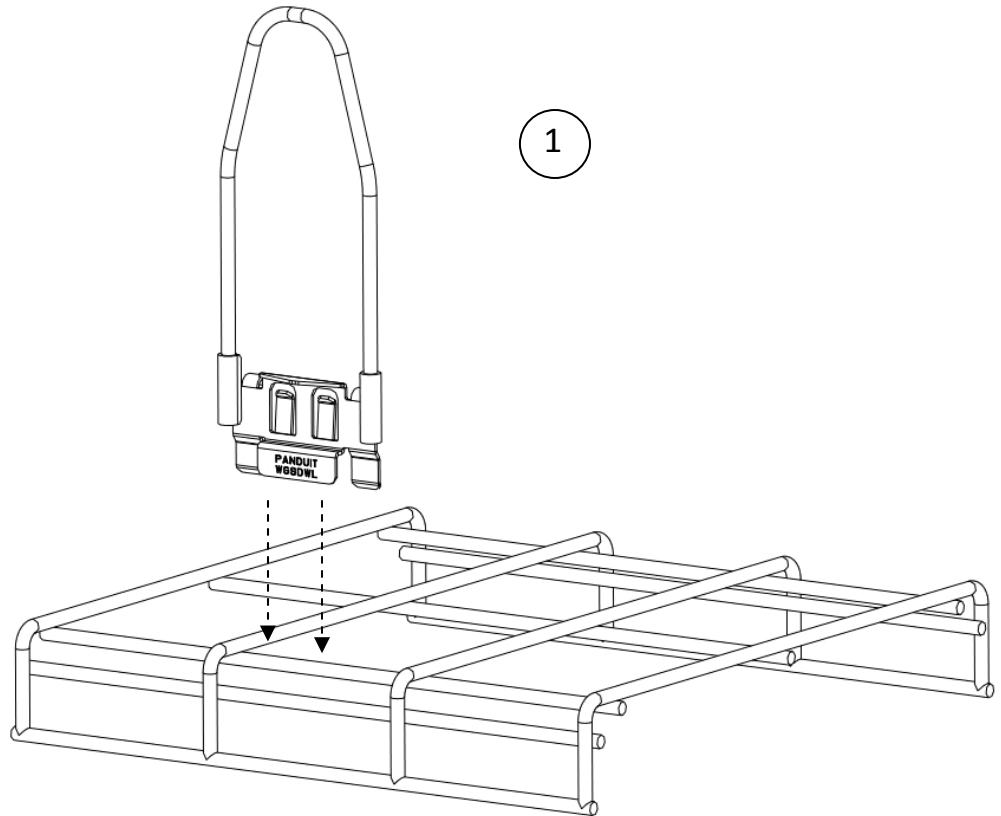
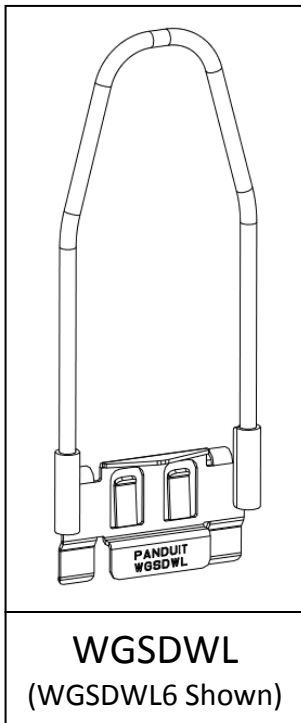


Wyr-Grid Sidewall and Intersection
Bend Radius Control

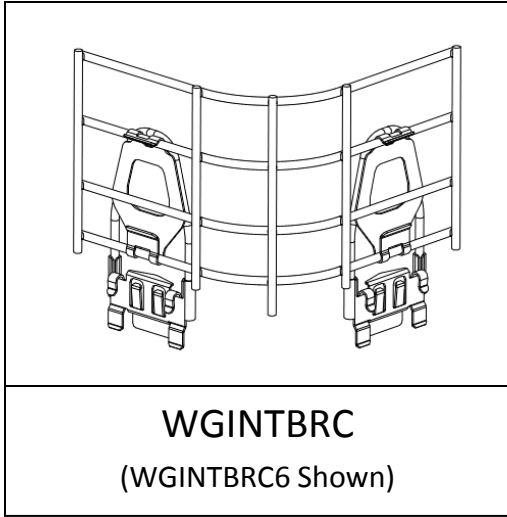
Panduit Part Numbers: WGSDWL2**, WGSDWL4**, WGSDWL6**, WGINTBRC2**, WGINTBRC4**, WGINTBRC6**

INSTALLATION INSTRUCTIONS

© 2010 *PANDUIT* Corp.



INSTALLATION INSTRUCTIONS



Snap-on Component A shown slid to outer edge of bend radius control grid

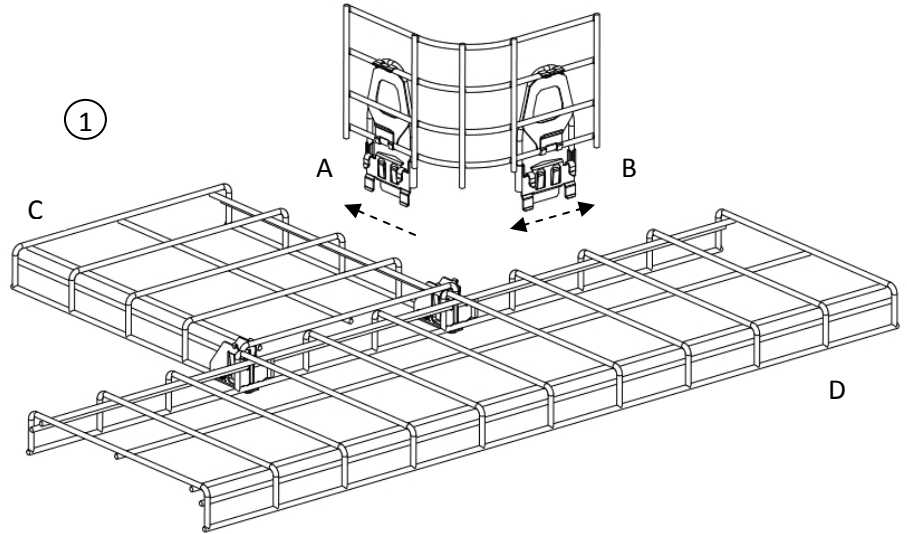
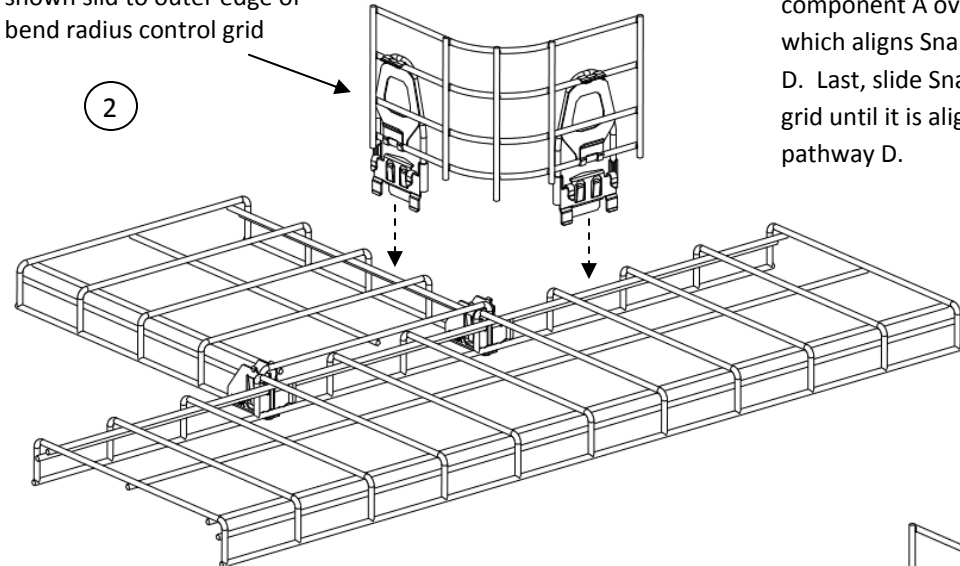
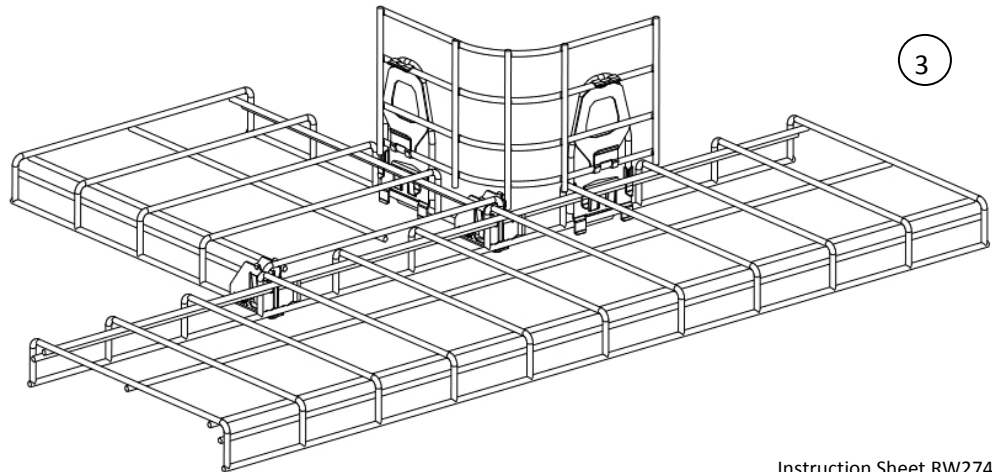


Figure 1.) Begin by sliding Snap-On Component A to the outer edge of the bend radius control grid. Next, position Snap-On component A over the second sidewall opening on pathway C, which aligns Snap-On Component B over the sidewall of pathway D. Last, slide Snap-On Component B along the bend radius control grid until it is aligned with an available sidewall opening on pathway D.



Instruction Sheet RW274

WORLDWIDE SUBSIDIARIES AND SALES OFFICES

18900 Panduit Drive
Tinley Park, IL 60487
Web Site: www.panduit.com

PANDUIT[®]
RACK SYSTEMS DIVISION

Fax: 708-532-1811
Technical Support: 800-777-3300
E-mail: cs@panduit.com