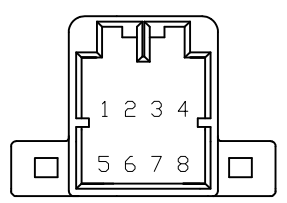
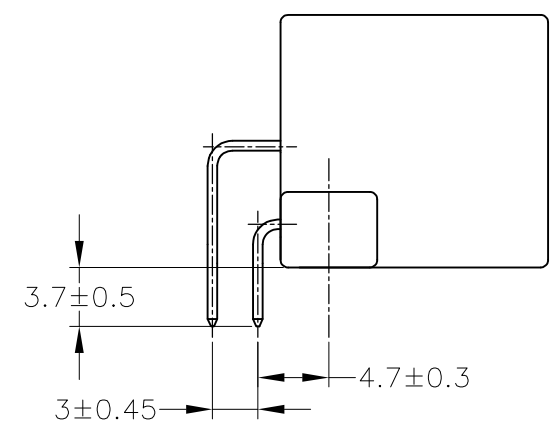
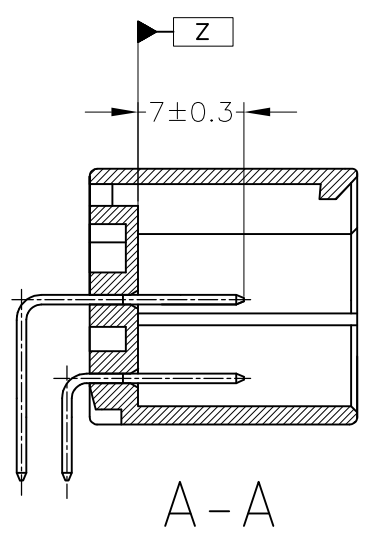
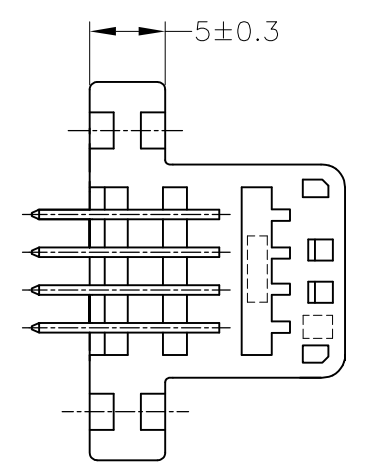
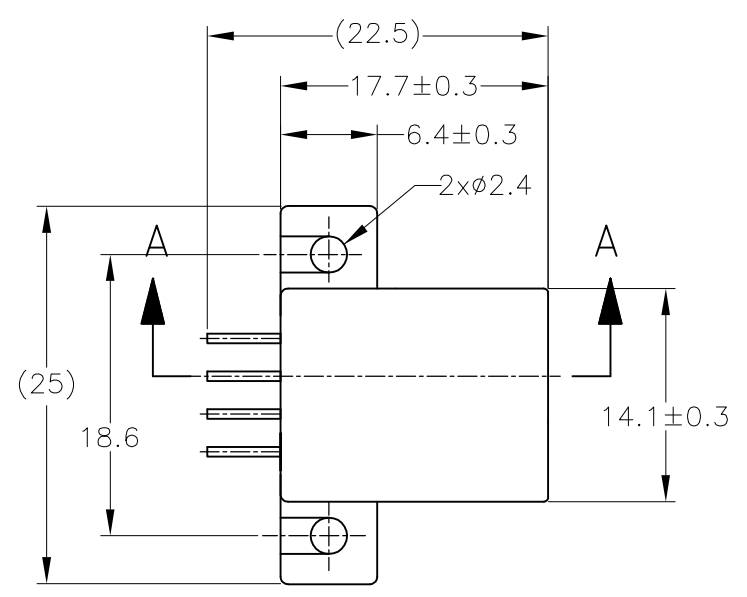
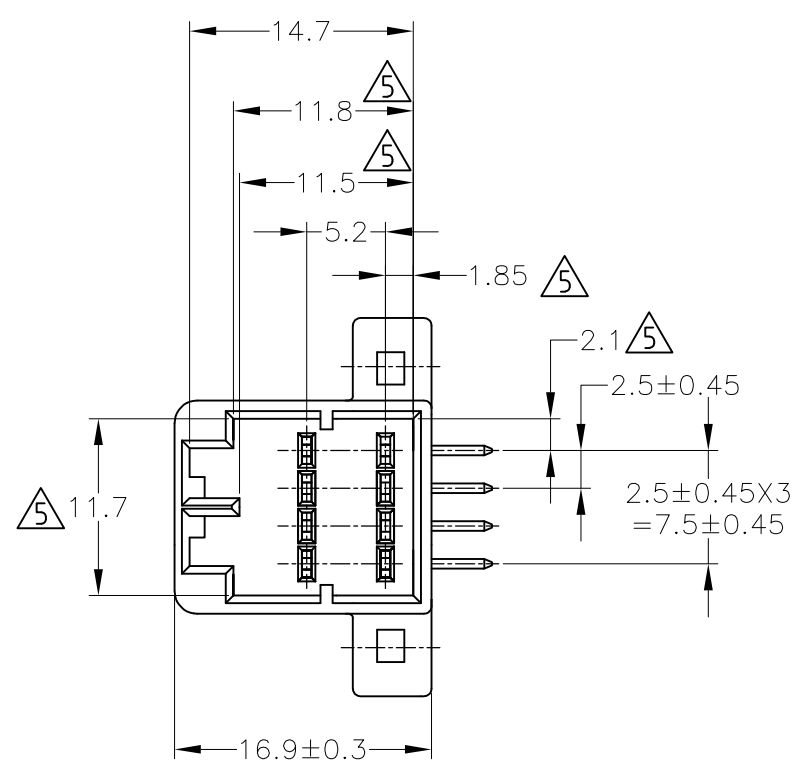
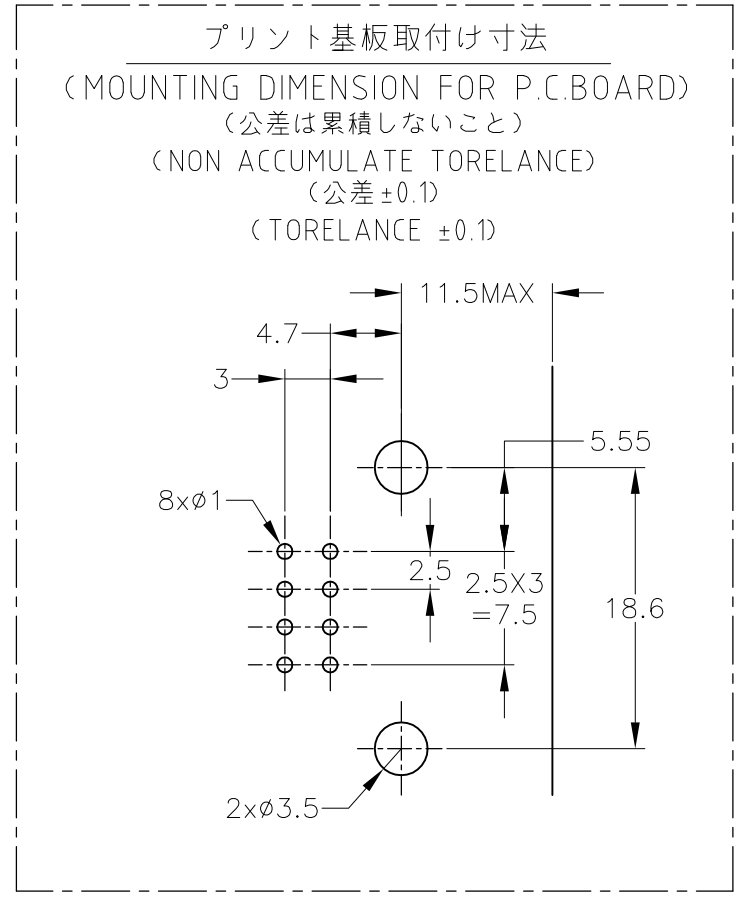


THIS DRAWING IS UNPUBLISHED. RELEASED FOR PUBLICATION OCT. 2016.  
 © COPYRIGHT 2016 Tyco Electronics Japan G.K. ALL RIGHTS RESERVED.

REVISIONS					
P	LTR	DESCRIPTION	DATE	DWN	APVD
	D8	REVISED	ECR-16-003341	14OCT2016	KF HY



TOLERANCE UNLESS OTHERWISE SPECIFIED: 一般公差

0 < x ≤ 10	: ±0.2
10 < x ≤ 30	: ±0.25
30 < x ≤ 100	: ±0.3
ANGLE ; 角度	: ±3°

PRE-TIN X 5				
SELECTIVE-TIN (MATTE)	SELECTIVE-GOLD X 3	4, 7, 8	BLACK 黒色	5175973-3
SELECTIVE-TIN (MATTE)	SELECTIVE-GOLD X 8	1~8	BLACK 黒色	1-5175973-2
SELECTIVE-TIN (MATTE)	SELECTIVE-TIN (BRIGHT)	— / —	BLACK 黒色	175973-4
PRE-TIN X 5				
TIN-LEAD	SELECTIVE-GOLD X 3	4, 7, 8	BLACK 黒色	175973-3
PRE-TIN		— / —	BLACK 黒色	175973-2
PRE-TIN		— / —	GRAY 灰色	175973-1
半田付け部 SOLDERING SIDE	接触部側 CONTACT SIDE			
FINISH OF CONTACT コンタクト仕上げ		CIRCUIT NO OF GOLD PLATED CONTACT △6 金メッキ端子使用回路番号	HOUSING COLOR ハウジング色	PN 型番

- 適用プリント基板厚;1.6mm
  - 推奨取付ネジ; JIS B1115, B1122 タッピングネジ  
ナベ2種呼び径3, 長さ6mm以上 (締付トルク; 0.392N・m 以下)
  - 嵌合相手ハウジング; 175964
  - 適用製品規格番号; 108-5281
- △5 Z 面より2mmの範囲で測定  
 △6 回路番号; 右図参照

- APPLICABLE P.C.B BOARD THICKNESS; 1.6mm
  - RECOMMENDED MOUNTING SCREW 3mm DIA 6mm LENGTH (MIN)  
TAPPING SCREW SPECIFIED IN JIS B1115, B1122  
(TIGHTENING TORQUE; 0.392N・m MAX)
  - THE MATING PLUG HSG. PART NUMBER; 175964
  - APPLICABLE PRODUCT SPEC NO.; 108-5281
- △5 TO BE MEASURED WITHIN 2mm FROM Z  
 △6 CIRCUIT NUMBER

THIS DRAWING IS A CONTROLLED DOCUMENT.

DIMENSIONS: 単位: 耗 mm	TOLERANCES UNLESS OTHERWISE SPECIFIED: 一般公差
0 PLC ± -	1 PLC ± -
2 PLC ± -	3 PLC ± -
4 PLC ± -	ANGLES ± -
MATERIAL 材料	FINISH 仕上
HSG: PBT CONT: BRASS	SEE TABLE

DWN	T.SHINOHARA	12FEB02
CHK	A.YAMAGUCHI	12FEB02
APVD	K.BETSUI	12FEB02
PRODUCT SPEC	製品規格	SEE NOTE 4
APPLICATION SPEC	取付適用規格	
WEIGHT	3.25 g	

**STE** TE Connectivity

040 SERIES MULTI-LOCK I/O CONN MK-II  
8POSITION CAP HOUSING ASSEMBLY

SIZE	CAGE CODE	DRAWING NO 番号	RESTRICTED TO
A3	00779	C-175973	

CUSTOMER DRAWING SCALE 尺度 2:1 SHEET 1 OF 1 REV D8