

NOTES

1. MATERIALS :  
 HOUSING - LCP, GLASS FILLED, UL94-V0, COLOR: BLACK.  
 POWER PIN - COPPER ALLOY
2. FINISHES :  
 0.76 MICROMETER MINIMUM GOLD AT CONTACT AREA AND  
 2.54 MICROMETER MINIMUM TIN AT SOLDER TAIL AREA  
 OVER 1.27um MINIMUM NICKEL UNDERPLATE.
3. PRODUCT SPECIFICATION: PS-78231-006.
4. COMPONENT STAY AWAY ZONE FROM CONNECTOR.
5. PCB NOTE FOR PLATED HOLE.

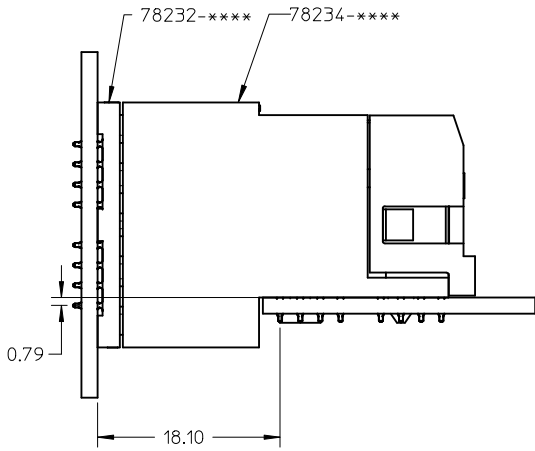
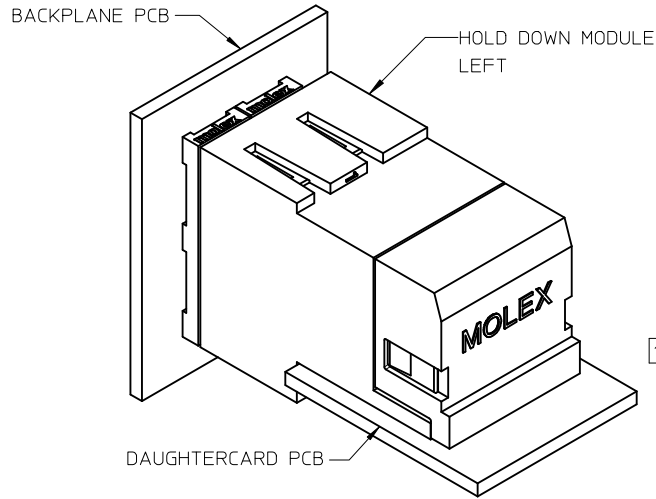
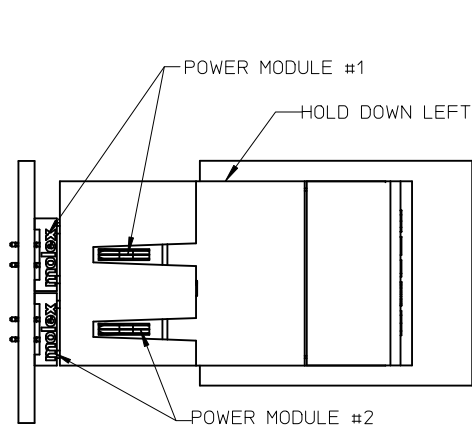
TYPE OF PLATED HOLE	DRILLED HOLE SIZE	PLATING THICKNESS	PLATED HOLE SIZE ØDIM H*
TIN	0.838	0.007 MIN TIN/SILVER OVER 0.03 TO 0.08	0.725±0.075
SILVER	0.863	COPPER PLATING	0.750±0.050

SEE SHEET 2 AND 3 FOR RECOMMENDED PCB LAYOUT.

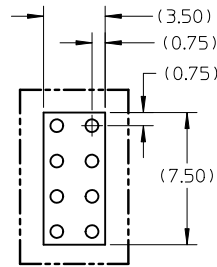
6. MATES WITH 78234-\*\*\*\*.
7. PART NUMBER AND YEAR-WK CODE.
8. ADJACENT POWER MODULE PITCH.
9. PACKAGING PROCEDURE AS PER PK-78232-001.

REMOVE PB/SN EC NO: S2012-0580 DRWN: SHONG CHKD: LNG APPR: NAGESHKIN	2012/01/31 2012/02/13 2012/02/13	DESCRIPTION REV	QUALITY SYMBOLS	GENERAL TOLERANCES (UNLESS SPECIFIED)	DIMENSION STYLE	SCALE	DESIGN UNITS	THIRD ANGLE PROJECTION		
			▽=0	mm INCH	MM ONLY	NTS	METRIC	⊙ □		
			⊕=0	4 PLACES ± --- ± ---	DRAWN BY DATE	TITLE	I-TRAC POWER, 11 ROW VERTICAL RECEPTACLE PRESS-FIT MOLEX INCORPORATED			
				3 PLACES ± --- ± ---	CHECKED BY DATE					
	2 PLACES ± 0.25 ± ---	APPROVED BY DATE		MATERIAL NO. 78232-1001 DOCUMENT NO. SD-78232-011 SHEET NO. 1 OF 3						
	1 PLACE ± --- ± ---			DRAFT WHERE APPLICABLE MUST REMAIN WITHIN DIMENSIONS						
	ANGULAR ± 3 °			THIS DRAWING CONTAINS INFORMATION THAT IS PROPRIETARY TO MOLEX INCORPORATED AND SHOULD NOT BE USED WITHOUT WRITTEN PERMISSION						

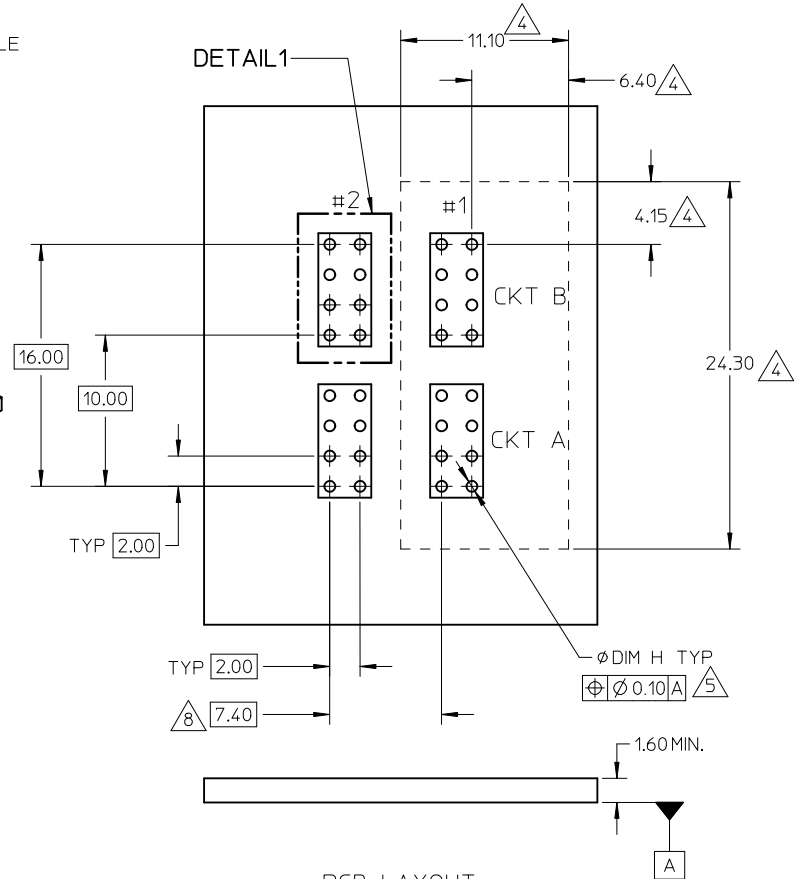
# MATED DIMENSIONS AND PCB LAYOUT WITH HEADER HOLD DOWN LEFT



MATED SYSTEM FOR 78232 & 78234



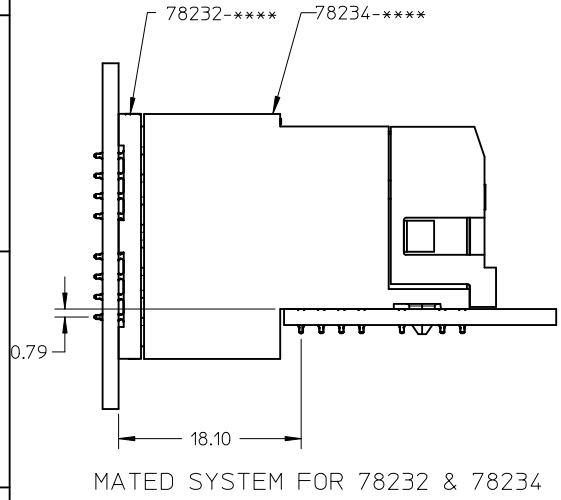
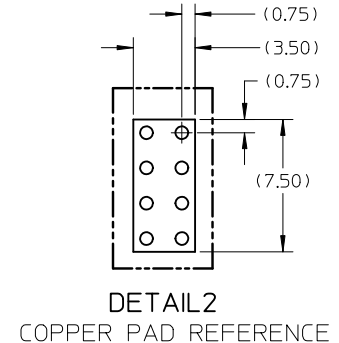
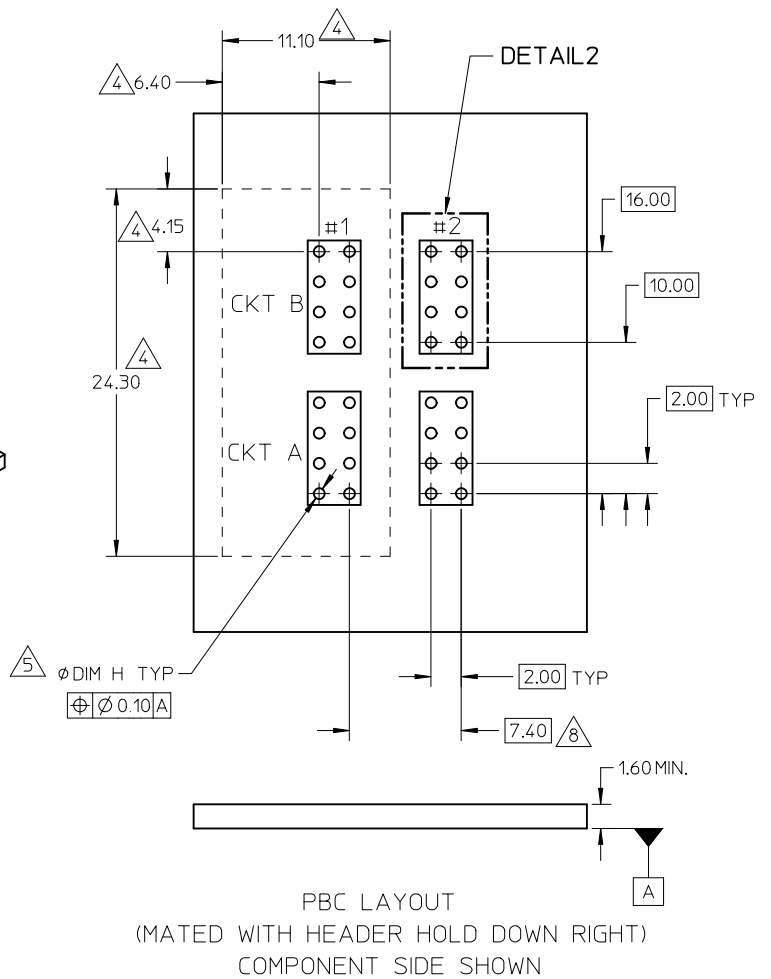
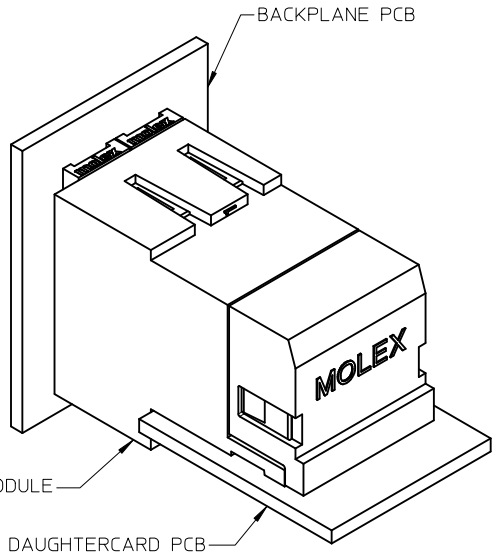
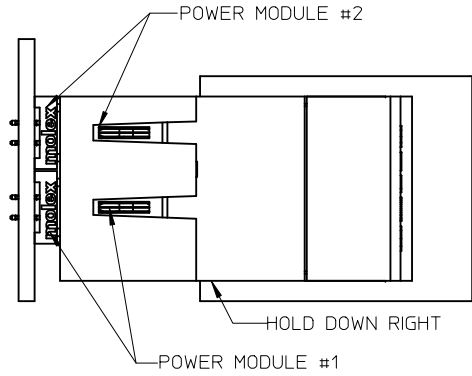
DETAIL1  
COPPER PAD REFERENCE



PCB LAYOUT  
(MATED WITH HEADER HOLD DOWN MODULE LEFT)  
COMPONENT SIDE SHOWN

REMOVE PB/SN EC NO: S2012-0580 DRWN: SHONG CHKD: LNG APPR: NAGESHKN	DESCRIPTION REV	QUALITY SYMBOLS	GENERAL TOLERANCES (UNLESS SPECIFIED)	DIMENSION STYLE	SCALE	DESIGN UNITS	THIRD ANGLE PROJECTION	
		▼=0 ◻=0	mm INCH	MM ONLY	NTS	METRIC		
			4 PLACES ± --- ± --- 3 PLACES ± --- ± --- 2 PLACES ± 0.25 ± --- 1 PLACE ± --- ± ---	DRAWN BY DATE SHONG 2006/08/15	TITLE	I-TRAC POWER, 11 ROW VERTICAL RECEPTACLE PRESS-FIT		
			ANGULAR ± 3 °	CHECKED BY DATE LNG 2006/08/25	APPROVED BY DATE NAGESHKN 2012/01/06	MOLEX INCORPORATED		
A1		DRAFT WHERE APPLICABLE MUST REMAIN WITHIN DIMENSIONS	MATERIAL NO. 78232-1001	DOCUMENT NO. SD-78232-011	SHEET NO. 2 OF 3			
				SIZE A3	THIS DRAWING CONTAINS INFORMATION THAT IS PROPRIETARY TO MOLEX INCORPORATED AND SHOULD NOT BE USED WITHOUT WRITTEN PERMISSION			

MATED DIMENSIONS AND PCB LAYOUT WITH HEADER HOLD DOWN RIGHT



REMOVE PB/SN EC NO: S2012-0580 DRWN: SHONG CHKD: LNG APPR: NAGESHKN 2012/01/31 2012/02/13 2012/02/13	QUALITY SYMBOLS	GENERAL TOLERANCES (UNLESS SPECIFIED)	DIMENSION STYLE	SCALE	DESIGN UNITS	THIRD ANGLE PROJECTION
	$\nabla=0$ $\square=0$	mm    INCH 4 PLACES ± --- ± --- 3 PLACES ± --- ± --- 2 PLACES ± 0.25 ± --- 1 PLACE ± --- ± --- ANGULAR ± 3 °	MM ONLY	NTS	METRIC	
			DRAWN BY: SHONG    DATE: 2006/08/15 CHECKED BY: LNG    DATE: 2006/08/25 APPROVED BY: NAGESHKN    DATE: 2012/01/06	TITLE	I-TRAC POWER, 11 ROW VERTICAL RECEPTACLE PRESS-FIT	
		DRAFT WHERE APPLICABLE MUST REMAIN WITHIN DIMENSIONS	MATERIAL NO. 78232-1001	DOCUMENT NO. SD-78232-011	MOLEX INCORPORATED SHEET NO. 3 OF 3	