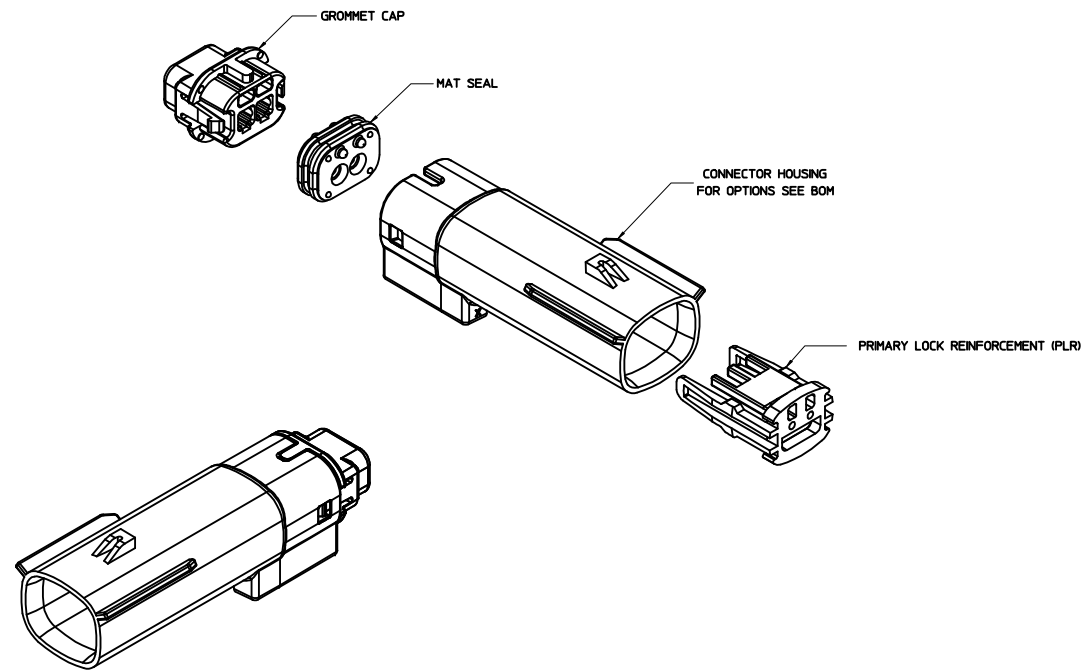


TABLE OF CONTENTS	
SHEET NO.	SHEET DESCRIPTION
1	NOTES
2	KEY CONFIGURATIONS
3	BLADE SEALED ASSEMBLY
4	SYSTEM PACKAGING
5	BACKSHELL NOTES
6	BACKSHELL
7	BACKSHELL CONFIGURATIONS
8	BOM



NOTES: VALID UNLESS OTHERWISE SPECIFIED

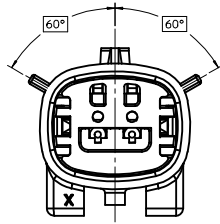
1. GENERAL:
 - a. APPLICATION SPECIFICATION SEE: AS-33472-100
 CONTAINS: PRODUCT INTRODUCTION, PRODUCT SUMMARY, CONNECTOR ASSEMBLY, PACKAGING INFORMATION, CONNECTOR MATING, SERVICE INSTRUCTIONS, ELECTRICAL CONTINUITY CHECKING, CRIMPING, AND TROUBLESHOOTING.
 -DESIGNED TO MATE WITH RECEPTACLE SEALED ASSEMBLY SPECIFIED IN MOLEX DRAWING SD-33471-021.
 -FOR 15mm BLADE TERMINALS TO BE USED WITH THIS ASSEMBLY SEE MOLEX DRAWING SD-33000-001.
 - SYSTEM TO BE USED WITH WIRE WITHIN DIAMETER RANGE OF 1.2mm TO 2.69mm.
 -ASSEMBLY SHIPPED WITH PLR IN PRE-LOCK POSITION
 -IN THE EVENT THAT THE PLR IS FOUND IN THE SEATED (FINAL LOCK) POSITION, REFER TO MOLEX SPECIFICATION PS-34646-001, AVAILABLE AT www.molex.com (http://www.molex.com)
 -ASSEMBLY CONFORMS TO SAE/USCAR-2 REV.4 WITH THE FOLLOWING EXCEPTIONS:
 TERMINAL INSERTION FORCE FOR WIRE DIAMETER ABOVE 2.5mm NOT EXCEEDING 2.69mm SHALL NOT EXCEED 40 NEWTONS.
 - b. PRODUCT SPECIFICATION SEE: PS-33471-000
 CONTAINS: PRODUCT INTRODUCTION, PRODUCT SUMMARY, RATINGS (CURRENT, TEMPERATURE, SEALING, AND FLAMMABILITY), AND PRODUCT VALIDATION.
 - c. PACKAGING SPECIFICATION PER MOLEX DRAWING: PK-31300-635
 - d. PARTS MUST BE IN COMPLIANCE TO MOLEX CHEMICAL SUBSTANCES FOR PRODUCTS AND PACKAGING SPECIFICATION: ES-40000-5016
 - e. DATA MUST BE SUBMITTED UNDER THE MOLEX PART NUMBER TO IMDS (COMPANY ID#19295)
2. DESIGN - MATERIALS:
 - a. SEE BOM TABLE
3. DESIGN - GEOMETRY:
 - a. THIS IS A 100% CAD GENERATED PART. THE CAD MATHEMATICAL DATA IS THE MASTER FOR THIS PART. FOR DIMENSIONAL OR ANY INFORMATION NOT SHOWN ON THIS DRAWING, ANALYZE THE CAD MODEL.
 - b. GEOMETRIC DIMENSIONS AND TOLERANCES PER ASME Y14.5M - 1994
 - c. EDGES AND UNDIMENSIONED DETAILS PER ISO13715
 - d. CORNERS SHOWN AS SHARP TO BE R 0.2 MAX.
 - e. LETTERING SHALL BE 0.15 MAX RAISED IN 0.25 MAX RECESS PAD. THIS INCLUDES RECYCLING CODE, CAVITY ID, VENDOR IDENTIFICATION, AND CUSTOMER MATERIAL NUMBER.
 - f. VISUAL DEFECTS SHALL MEET COSMETIC STANDARD PS-45499-002 (Class B)
 - g. LASER MARKING: TBD

INSPECTION LOG
 LAST NUMBER USED: 57
 ADDED:
 REMOVED:

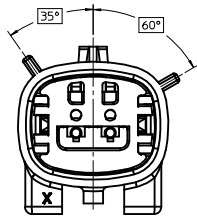
REV	DESCRIPTION
A10	ADD NEW P/N 33481-0210
A9	UPDATED VIEWSET & NOTES
A8	RENAMED BACKSHELLS
A7	REMOVED DIMENSION 57
A6	UPDATED NOTES
A5	UPDATED P/N ORDER IN BOM
A4	REDRAWN, ADDED BACKSHELL

ENTER DESCRIPTION ELEC NO: UAU2014-1319 DRAWN BY: 2014/02/21 CHKD: 2014/02/25 APPR: VKOSHY DESCRIPTION:	QUALITY SYMBOLS ∇=0 ∇=0 ∇=0	GENERAL TOLERANCES (UNLESS SPECIFIED) mm INCH 4 PLACES ± --- ± --- 3 PLACES ± 0.10 ± --- 2 PLACES ± 0.20 ± --- 0 PLACE ± --- ± ---	DIMENSION STYLE MM ONLY DRAWN BY: M. VANS LAMBRO DATE: 9/16/08 CHECKED BY: M.VANSLAMBROU DATE: 2012/07/12 APPROVED BY: VKOSHY DATE: 2010/03/16	SCALE: 3:1 DESIGN UNITS: METRIC THIRD ANGLE PROJECTION:	TITLE: MX150 1X2 BLADE SEALED ASSEMBLY MAT SEAL molex
	ANGLULAR ± 3 ° DRAFT WHERE APPLICABLE MUST REMAIN WITHIN DIMENSIONS	MATERIAL NO: SEE BOM DOCUMENT NO: SD-33481-021	SHEET NO: 1 OF 8		
	SIZE: D THIS DRAWING CONTAINS INFORMATION THAT IS PROPRIETARY TO MOLEX INCORPORATED AND SHOULD NOT BE USED WITHOUT WRITTEN PERMISSION				

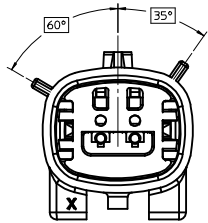
KEY CONFIGURATIONS



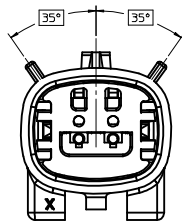
KEY A



KEY B



KEY C

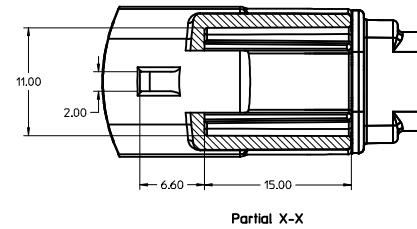
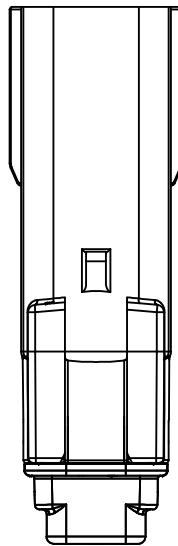
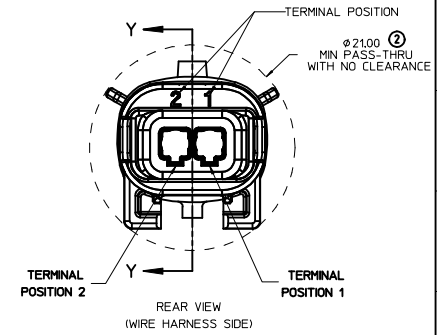
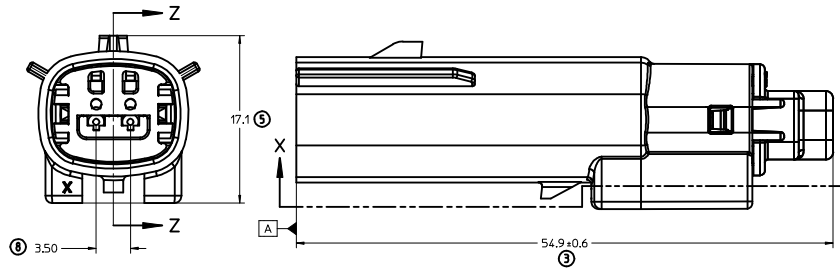
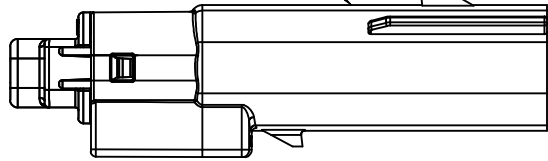


KEY D

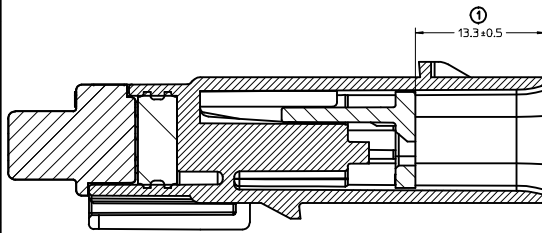
ENTER DESCRIPTION EC NO: UAU2014-1319 DRAWN BY: 2014/02/21 CHKD: APPR: VKOSHY 2014/02/25 REVISIONS:	QUALITY SYMBOLS ▽=0 ▽=0 ▽=0		GENERAL TOLERANCES (UNLESS SPECIFIED) mm INCH 4 PLACES ± --- ± --- 3 PLACES ± --- ± --- 2 PLACES ± 0.10 ± --- 1 PLACE ± 0.20 ± --- 0 PLACE ± --- ± --- ANGULAR ± 3 ° DRAFT WHERE APPLICABLE MUST REMAIN WITHIN DIMENSIONS		DIMENSION STYLE MM ONLY DRAWN BY: M. VANSLAMBRO CHECKED BY: M. VANSLAMBRO APPROVED BY: VKOSHY DATE: 9/16/08 DATE: 2012/07/12 DATE: 2010/03/16		SCALE: 4:1 DESIGN UNITS: METRIC THIRD ANGLE PROJECTION	TITLE: MX150 1X2 BLADE SEALED ASSEMBLY MAT SEAL molex MATERIAL NO. SEE BOM DOCUMENT NO. SD-33481-021		SHEET NO. 2 OF 8
	THIS DRAWING CONTAINS INFORMATION THAT IS PROPRIETARY TO MOLEX INCORPORATED AND SHOULD NOT BE USED WITHOUT WRITTEN PERMISSION									
	SIZE D									
	A10									

BLADE SEALED ASSEMBLY

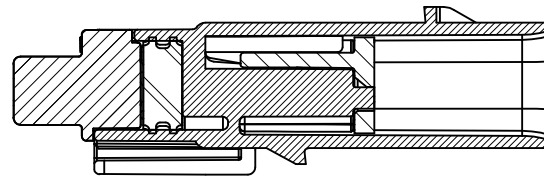
OPTIONAL LASER MARKING ON THIS SURFACE SEE NOTE 3g



Partial X-X



PRIMARY LOCK REINFORCEMENT (PLR) SHOWN IN PRE-STAGED POSITION
SECTION Z-Z

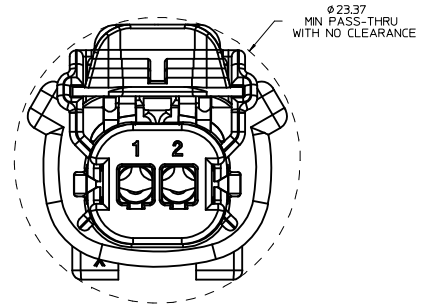
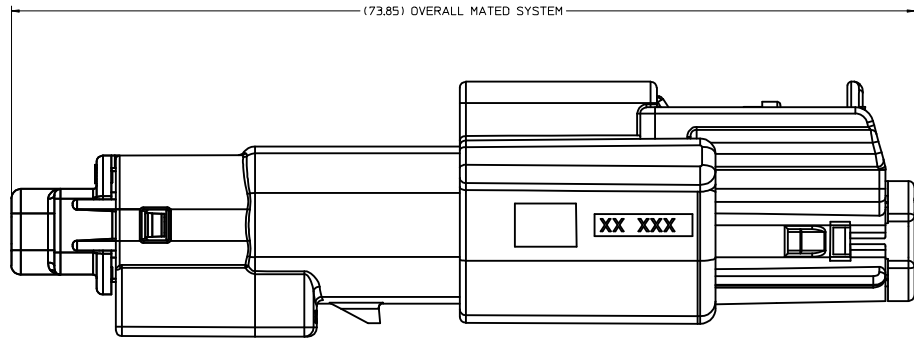


PRIMARY LOCK REINFORCEMENT (PLR) SHOWN IN FINAL-LOCK POSITION
SECTION Y-Y

ENTER DESCRIPTION ELEC NO. UAU2014-1319 DRAWN BY CHKD: APPR: VKOSHY 2014/02/21 2014/02/25 2014/02/25 A10	QUALITY SYMBOLS	GENERAL TOLERANCES (UNLESS SPECIFIED)	DIMENSION STYLE	SCALE	DESIGN UNITS	THIRD ANGLE PROJECTION	
	∇=0 ∇=0 ∇=0	mm INCH 4 PLACES ± --- ± --- 3 PLACES ± --- ± --- 2 PLACES ± 0.10 ± --- 1 PLACE ± 0.20 ± --- 0 PLACE ± --- ± ---	MM ONLY	4:1	METRIC	DRAWN BY DATE M. VANSLAMBRO 9/16/08 CHECKED BY DATE M. VANSLAMBRO 2012/07/12 APPROVED BY DATE VKOSHY 2010/03/16	TITLE MX150 1X2 BLADE SEALED ASSEMBLY MAT SEAL molex MATERIAL NO. SEE BOM DOCUMENT NO. SD-33481-021
	DRAFT WHERE APPLICABLE MUST REMAIN WITHIN DIMENSIONS		ANGULAR ± 3°	SIZE D	SHEET NO. 3 OF 8		INCORPORATED AND SHOULD NOT BE USED WITHOUT WRITTEN PERMISSION

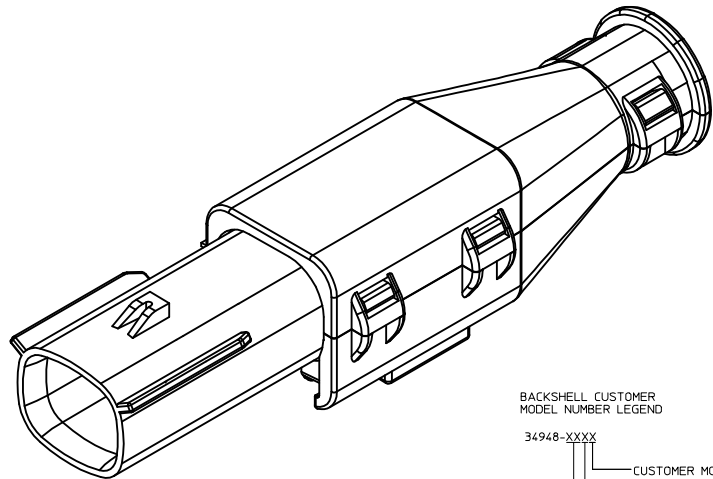
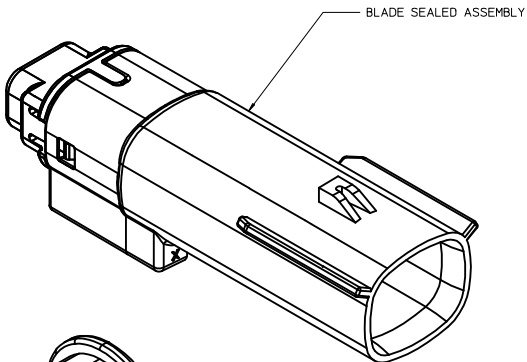
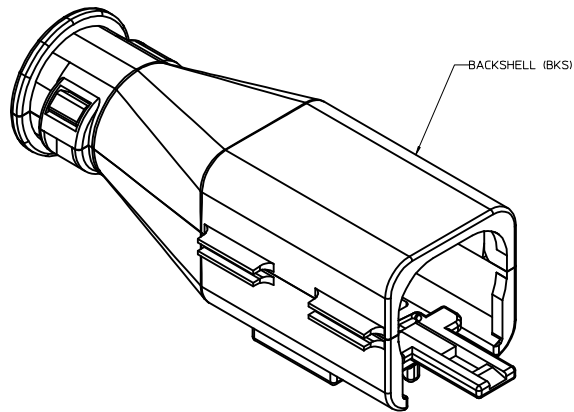
20 19 18 17 16 15 14 13 12 11 10 9 8 7 6 5 4 3 2 1

SYSTEM PACKAGING



ENTER DESCRIPTION ELEC NO: UAU2014-1319 DRAWN BY: 2014/02/21 CHKD: APPR: VKOSHY 2014/02/25 REVISIONS 1 A10	QUALITY SYMBOLS ∇=0 ∇=0 ∇=0	GENERAL TOLERANCES (UNLESS SPECIFIED) mm INCH 4 PLACES ± --- ± --- 3 PLACES ± --- ± --- 2 PLACES ± 0.10 ± --- 1 PLACE ± 0.20 ± --- 0 PLACE ± --- ± --- ANGULAR ± 3 ° DRAFT WHERE APPLICABLE MUST REMAIN WITHIN DIMENSIONS	DIMENSION STYLE MM ONLY DRAWN BY DATE M. VANSLAMBRO 9/16/08 CHECKED BY DATE M. VANSLAMBRO 2012/07/12 APPROVED BY DATE VKOSHY 2010/03/16	SCALE 4:1 DESIGN UNITS METRIC THIRD ANGLE PROJECTION	TITLE MX150 1X2 BLADE SEALED ASSEMBLY MAT SEAL molex MATERIAL NO. SEE BOM DOCUMENT NO. SD-33481-021	SHEET NO. 4 OF 8
	THIS DRAWING CONTAINS INFORMATION THAT IS PROPRIETARY TO MOLEX INCORPORATED AND SHOULD NOT BE USED WITHOUT WRITTEN PERMISSION					
	Molex logo and company name					
	Additional technical notes and specifications					

BACKSHELL NOTES



BACKSHELL NOTES: VALID UNLESS OTHERWISE SPECIFIED

1. GENERAL:
 a. APPLICATION SPECIFICATION SEE: AS-34951-001
 -DESIGNED TO MATE WITH RECEPTACLE SEALED ASSEMBLY SPECIFIED IN MOLEX DRAWING SD-33472-021.
 -SYSTEM TO BE USED WITH WIRE WITHIN DIAMETER RANGE OF 12mm TO 2.69mm.
 -COMPONENTS ARE OPTIONAL AND MUST BE PURCHASED SEPERATELY.
 -BACKSHELL DESIGN IS OWNED BY SCHLEMMER.
 -FOR ADDITIONAL INFORMATION SEE THE BACKSHELL COMPONENT DRAWING SD-34948-0001.

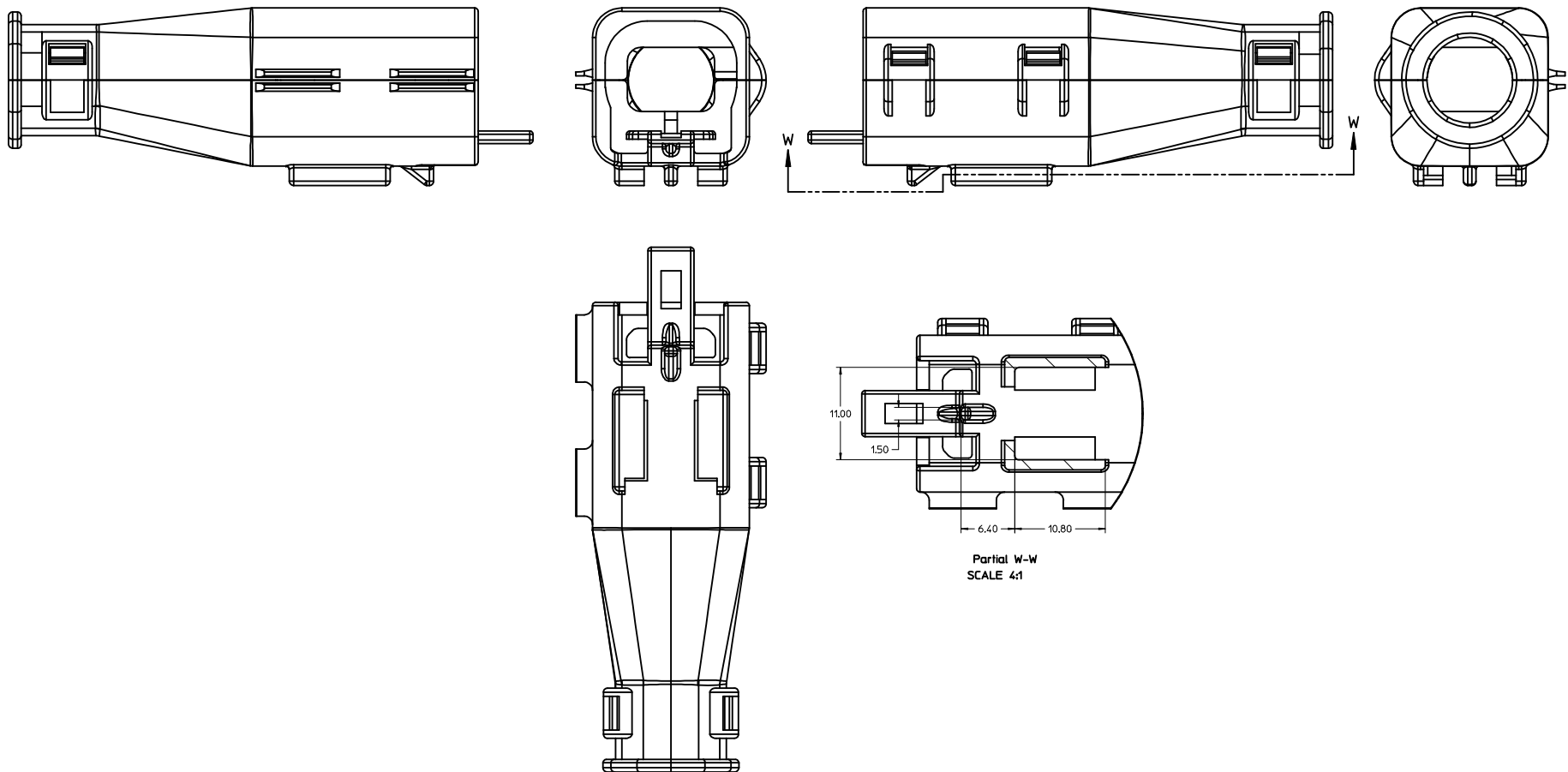
BACKSHELL CUSTOMER MODEL NUMBER LEGEND

- 34948-XXXX
- CUSTOMER MODEL COMPONENTS
 - 0 - BACKSHELL ONLY
 - 1 - BACKSHELL & MX150 HOUSING KEY A ASSEMBLY
 - 2 - BACKSHELL & MX150 HOUSING KEY B ASSEMBLY
 - 3 - BACKSHELL & MX150 HOUSING KEY C ASSEMBLY
 - 4 - BACKSHELL & MX150 HOUSING KEY D ASSEMBLY
 - BACKSHELL FEATURES
 - 1 - WITH RIBS
 - 2 - WITHOUT RIBS
 - MX150 CIRCUIT SIZE 02, 03, 04, 05, 06

ENTER DESCRIPTION ELEC NO: UAU2014-1319 DRAWN BY: CHYK APPR: VKOSHY DATE: 2014/02/21 CHKD: 2014/02/25 DESCRIPTION:	QUALITY SYMBOLS	GENERAL TOLERANCES (UNLESS SPECIFIED)	DIMENSION STYLE	SCALE	DESIGN UNITS	THIRD ANGLE PROJECTION	
	∇=0 ∇=0 ∇=0	mm INCH 4 PLACES # --- # --- 3 PLACES # --- # --- 2 PLACES # 0.10 # --- 1 PLACE # 0.20 # --- 0 PLACE # --- # ---	MM ONLY 4:1 METRIC ☉	DRAWN BY: M. VANSLAMBRO DATE: 9/16/08 CHECKED BY: MYANSLAMBROU DATE: 2012/07/12 APPROVED BY: VKOSHY DATE: 2010/03/16	TITLE: MX150 1X2 BLADE SEALED ASSEMBLY MAT SEAL molex		
	ANGULAR ± 3 ° DRAFT WHERE APPLICABLE MUST REMAIN WITHIN DIMENSIONS	MATERIAL NO: SEE BOM DOCUMENT NO: SD-33481-021	SHEET NO: 5 OF 8				
	SIZE D THIS DRAWING CONTAINS INFORMATION THAT IS PROPRIETARY TO MOLEX INCORPORATED AND SHOULD NOT BE USED WITHOUT WRITTEN PERMISSION						

20 19 18 17 16 15 14 13 12 11 10 9 8 7 6 5 4 3 2 1

BACKSHELL
THE VIEWS ON THIS SHEET ARE
IN THE CLOSED UN-ASSEMBLED POSITION

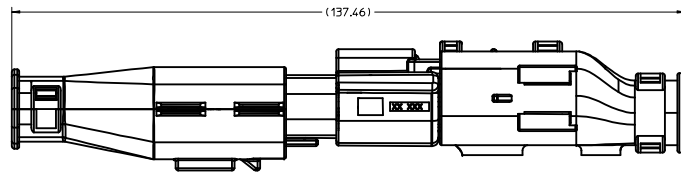


Partial W-W
SCALE 4:1

ENTER DESCRIPTION ELEC NO: UAU2014-1319 DRAWN BY: CHYK APPR: VKOSHY 2014/02/21 2014/02/25 A10	QUALITY SYMBOLS ∇=0 ∇=0 ∇=0	GENERAL TOLERANCES (UNLESS SPECIFIED) mm INCH 4 PLACES ± --- ± --- 3 PLACES ± --- ± --- 2 PLACES ± 0.10 ± --- 1 PLACE ± 0.20 ± --- 0 PLACE ± --- ± --- ANGULAR ± 3° DRAFT WHERE APPLICABLE MUST REMAIN WITHIN DIMENSIONS	DIMENSION STYLE MM ONLY	SCALE 4:1	DESIGN UNITS METRIC	THIRD ANGLE PROJECTION
	DRAWN BY: M. VANSLAMBRO DATE: 9/16/08 CHECKED BY: M. VANSLAMBRO DATE: 2012/07/12 APPROVED BY: VKOSHY DATE: 2010/03/16	TITLE MX150 1X2 BLADE SEALED ASSEMBLY MAT SEAL molex	MATERIAL NO: SEE BOM	DOCUMENT NO: SD-33481-021	SHEET NO: 6 OF 8	

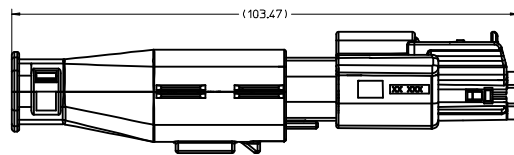
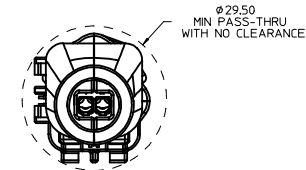
19 18 17 16 15 14 13 12 11 10 9 8 7 6 5 4 3 2 1

20 19 18 17 16 15 14 13 12 11 10 9 8 7 6 5 4 3 2 1

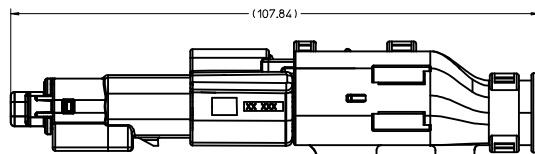
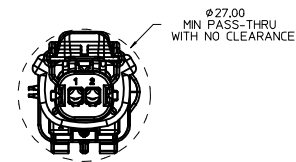


OVERALL MATED SYSTEM WITH BLADE AND RECEPTACLE BACKSHELL

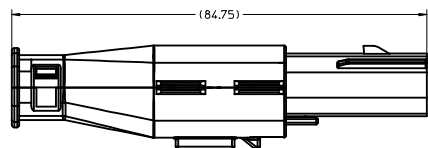
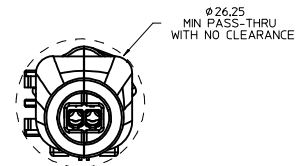
BACKSHELL CONFIGURATIONS



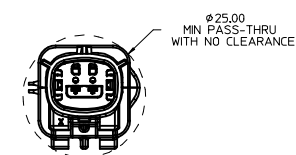
OVERALL MATED SYSTEM WITH BLADE BACKSHELL



OVERALL MATED SYSTEM WITH RECEPTACLE BACKSHELL



BLADE SEALED ASSEMBLY WITH BLADE BACKSHELL



ENTER DESCRIPTION ELEC NO: UAU2014-1319 DRAWN BY: 2014/02/21 CHKD: APPR: VKOSHY 2014/02/25 REV:	QUALITY SYMBOLS ∇=0 ∇=0 ∇=0	GENERAL TOLERANCES (UNLESS SPECIFIED)		DIMENSION STYLE MM ONLY	SCALE 2:1	DESIGN UNITS METRIC	THIRD ANGLE PROJECTION		
		4 PLACES ± --- ± ---	3 PLACES ± --- ± ---	2 PLACES ± 0.10 ± ---	1 PLACE ± 0.20 ± ---	0 PLACE ± --- ± ---	DRAWN BY: M. VANSLAMBRO DATE: 9/16/08 CHECKED BY: M. VANSLAMBROU DATE: 2012/07/12 APPROVED BY: VKOSHY DATE: 2010/03/16		TITLE: MX150 1X2 BLADE SEALED ASSEMBLY MAT SEAL
		ANGULAR ± 3 °		DRAFT WHERE APPLICABLE MUST REMAIN WITHIN DIMENSIONS		MATERIAL NO: SEE BOM	DOCUMENT NO: SD-33481-021	SHEET NO: 7 OF 8	
		THIS DRAWING CONTAINS INFORMATION THAT IS PROPRIETARY TO MOLEX INCORPORATED AND SHOULD NOT BE USED WITHOUT WRITTEN PERMISSION							

19 18 17 16 15 14 13 12 11 10 9 8 7 6 5 4 3 2 1

ASSEMBLY DESCRIPTION	ASSEMBLY PART NUMBERS	A	B	C	D	A	GCO	GCP	GCP2	1	2	STATUS	COMMENTS	BACKSHELL WITH RIBS	BACKSHELL WITHOUT RIBS
KEY A, YELLOW	33481-0210					A	GCO					SALEABLE		34948-0210	34948-0220
KEY A, BLACK	33481-0209	A						GCP2		2		SALEABLE		34948-0210	34948-0220
KEY D, STONE GRAY	33481-0208				D			GCP		1	2	SALEABLE		34948-0210	34948-0220
KEY C, DARK GRAY	33481-0207			C				GCP		1	2	SALEABLE		34948-0210	34948-0220
KEY B, LIGHT GRAY	33481-0206			B				GCP		1	2	SALEABLE		34948-0210	34948-0220
KEY A, BLACK	33481-0205	A						GCP		1	2	SALEABLE		34948-0210	34948-0220
KEY D, STONE GRAY	33481-0204				D		GCO					SALEABLE		34948-0210	34948-0220
KEY C, DARK GRAY	33481-0203			C			GCO					SALEABLE		34948-0210	34948-0220
KEY B, LIGHT GRAY	33481-0202			B			GCO					SALEABLE		34948-0210	34948-0220
KEY A, BLACK	33481-0201	A					GCO					SALEABLE		34948-0210	34948-0220
ASSEMBLY DESCRIPTION	ASSEMBLY PART NUMBERS	A	B	C	D	A	GCO	GCP	GCP2	1	2	STATUS	COMMENTS	BACKSHELL WITH RIBS	BACKSHELL WITHOUT RIBS
BLOCKED TERMINAL														OPTIONAL ATTACHMENTS SOLD SEPARATELY	
CAVITY WITH A NUMBER INDICATES BLOCKED TERMINAL POSITION															
CAVITY WITHOUT A NUMBER INDICATES OPEN TERMINAL POSITION															
MAT SEAL			RUST RED			INHERENTLY LUBRICATED SILICONE									
PLR			NATURAL			SPS/NYLON GF20									
GROMMET CAP (CAVITY 2 PLUGGED)			BLACK			SPS/NYLON GF20									
GROMMET CAP (PLUGGED)			BLACK			SPS/NYLON GF20									
GROMMET CAP (OPEN)			BLACK			SPS/NYLON GF20									
HOUSING - KEYING OPTION A			YELLOW			SPS/NYLON GF20									
HOUSING - KEYING OPTION D			STONE GRAY			SPS/NYLON GF20									
HOUSING - KEYING OPTION C			DARK GRAY			SPS/NYLON GF20									
HOUSING - KEYING OPTION B			LIGHT GRAY			SPS/NYLON GF20									
HOUSING - KEYING OPTION A			BLACK			SPS/NYLON GF20									
DESCRIPTION			COLOR			MATERIAL									
BOM/APPLICABLE COMPONENTS TABLE															

ABBREVIATION	COMPONENT
A	HOUSING KEY A
B	HOUSING KEY B
C	HOUSING KEY C
D	HOUSING KEY D
GCO	GROMMET CAP (OPEN)
GCP	GROMMET CAP (PLUGGED)
GCP2	GROMMET CAP (CAVITY 2 PLUGGED)
P	PLR, STANDARD
M	MAT SEAL
BKS	BACKSHELL

ENTER DESCRIPTION EC NO: UAU2014-1319 DRAWN BY: DRWN:TE CHKD: A10 APPR: VKOSHY 2014/02/21 2014/02/25	QUALITY SYMBOLS ∇=0 ∇=0 ∇=0	GENERAL TOLERANCES (UNLESS SPECIFIED) mm INCH 4 PLACES ± .010 ± .004 3 PLACES ± .015 ± .006 2 PLACES ± 0.10 ± .008 1 PLACE ± 0.20 ± .015 0 PLACE ± .000 ± .000		DIMENSION STYLE MM ONLY DRAWN BY DATE M. VANSLAMBRO 9/16/08 CHECKED BY DATE MYANSLAMBROU 2012/07/12 APPROVED BY DATE VKOSHY 2010/03/16		SCALE DESIGN UNITS METRIC THIRD ANGLE PROJECTION		TITLE MX150 1X2 BLADE SEALED ASSEMBLY MAT SEAL molex	
		ANGULAR ± 3° DRAFT WHERE APPLICABLE MUST REMAIN WITHIN DIMENSIONS		MATERIAL NO. SEE BOM		DOCUMENT NO. SD-33481-021		SHEET NO. 8 OF 8	
		THIS DRAWING CONTAINS INFORMATION THAT IS PROPRIETARY TO MOLEX INCORPORATED AND SHOULD NOT BE USED WITHOUT WRITTEN PERMISSION							
		SIZE D							