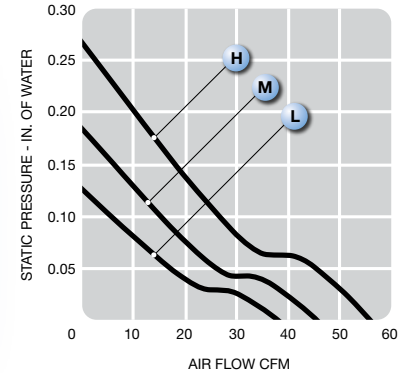
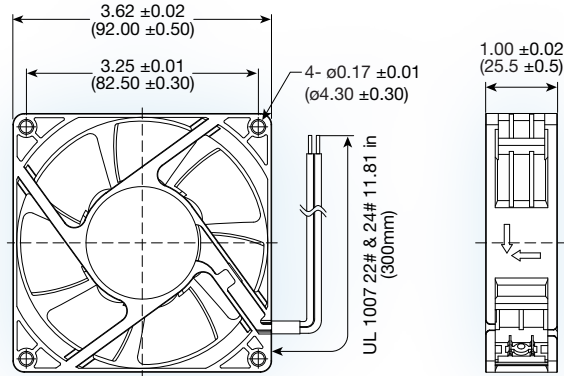




# LPH92B99 series



**(92 x 92 x 25 mm)**  
3.62 x 3.62 x 1.00 inches



Operating voltage: 100 to 240 VAC

Construction: plastic frame and impeller

Bearing option: ball bearing

Motor: electronically commutated

Air flow: exhaust over struts

Connection: lead wire UL1007 24AWG  
or terminal

Protection: auto restart

Options: tachometer, PWM,  
environmental protection

Model No.	Rated Voltage V	Freq. HZ	Input Power W	Rated Cur. A	Speed RPM	Air Volume		Max. Static Pressure (H <sub>2</sub> O)		Sound Noise dB A	Weight g
						M <sup>3</sup> /Min.	CFM	MM	INCH		
LPH92B99-L	100-240	50/60	1.9	0.04	2500	1.1	39	3.3	0.13	34	106
LPH92B99-M	100-240	50/60	3.7	0.05	3000	1.3	46	4.6	0.18	38	106
LPH92B99-H	100-240	50/60	6.3	0.06	3500	1.6	56	6.9	0.27	44	106