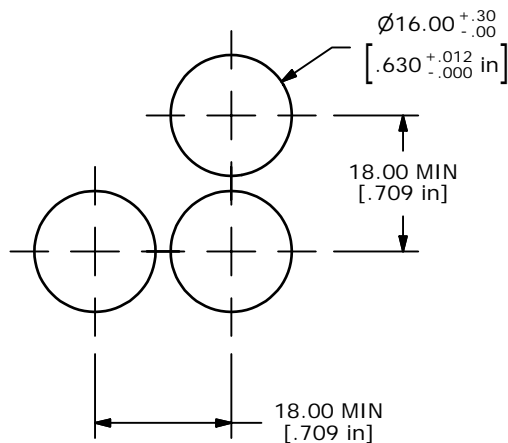
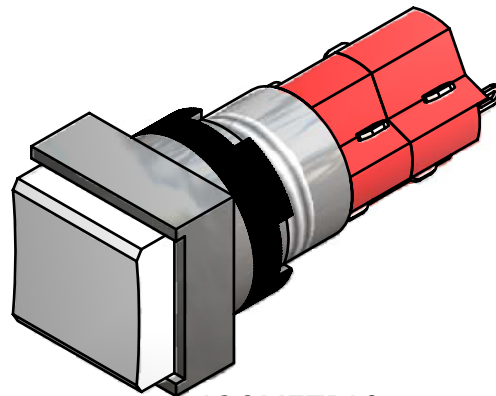


▲ PARTS LIST

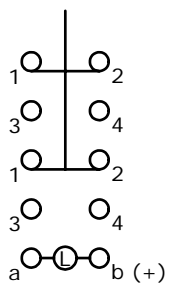
ITEM	QTY	PART NUMBER	DESCRIPTION
1	1	F040020	D16EES12
2	1	F050305	50-003-05 LENS, SQUARE, CONCAVE, WHITE
3	1	F050405	LAMP, INCANDESCENT, 28V AC/DC, 40mA



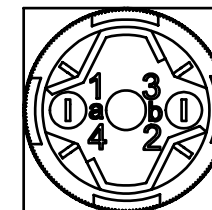
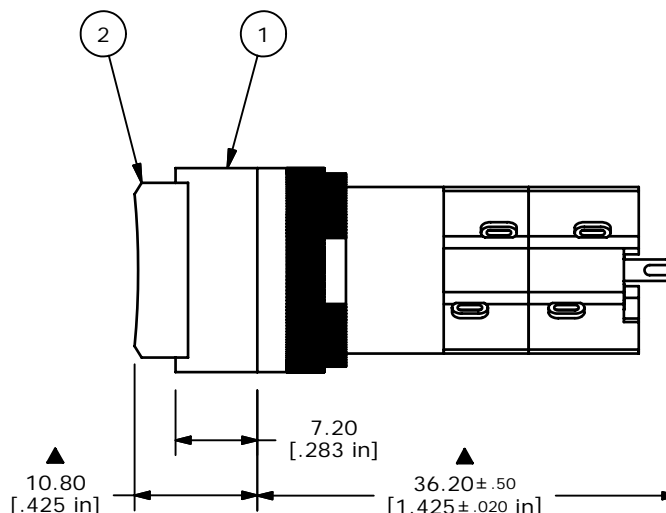
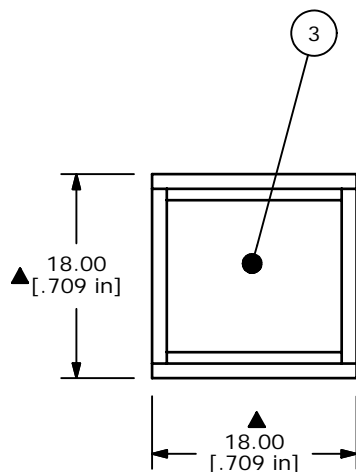
PANEL MOUNTING



ISOMETRIC



DPDT CONTACT CONFIGURATION



- NOTE:
1. ALL DIMENSIONS IN MM [INCH].
  2. GENERAL TOLERANCE: X.X=±0.4 X.XX=±0.25
  3. TERMINAL NUMBERS FOR REF ONLY.
  4. RATING: 5A @ 250VAC  
6A @ 24VDC
  5. ELECTRICAL LIFE: 50,000 OPERATIONS
  6. INSULATION RESISTANCE: 1,000 MEGA-OHM MIN.
  7. OPERATING TEMP.: -25°C to +55°C
  - ▲8. LAMP VOLTAGE: 28V AC/DC 40mA INCANDESCENT
  9. ▲ DENOTES CRITICAL PARAMETER.
  10. 2002/95/EC (ROHS) COMPLIANT
  - ▲11. PACKAGE: BOX/20 PCS PER.



A	17397	RELEASED FOR PRODUCTION	6/26/07	TN
REV	PCR NO	DESCRIPTION	DATE	BY

TITLE D16EES12CWHT				
SCALE	DATE	DR	DWG	REV
1.5:1	6/26/2007	TN	XF0726P	A

THE INFORMATION CONTAINED IN THIS DOCUMENT IS PROPRIETARY TO E-SWITCH AND IS NOT TO BE COPIED OR TRANSFERRED