

1

2

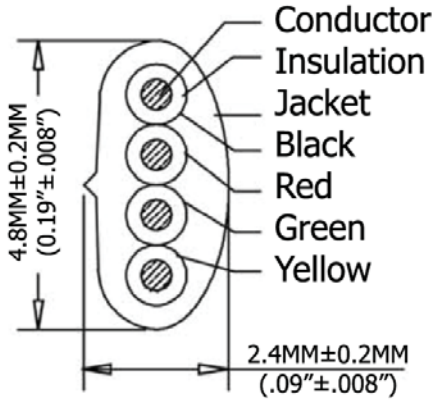
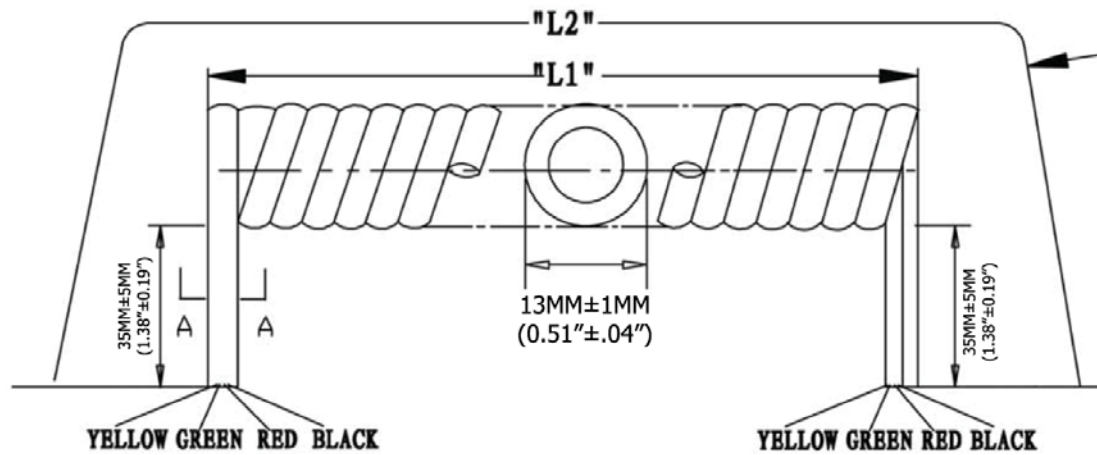
3

4

5

6

7



Extended Length ("L2")	Typical Retracted Length ("L1")
168.0 Inches - 193.2 Inches	33.5 Inches
4,267.2MM-4,907.28MM	850.9MM

Material:

- Conductor(X4C): 26AWG (0.12X12) Bare Copper
- Insulation(X4C):PP6331 ID 0.95-1.0
- Jacket: PVC NO UL 80P
- Package: Individual PE Bag

Scale	1:1					Name	Item No. AT-K-C-26-4-S/14
TOLERANCE				Drawn	12.19.11	Chappell	
X.X	±0.40			Approved			Title NON-UL 26AWG (0.16/7)*4C, O.D.: 2.4*4.8MM, Pre-Cut, 14Ft., Silver
X.XX	±0.25						Drawing No.
X.XXX	±0.15						rev00
Angle	±3°						
							Replace
							Sheet



1

2

3

4

5

6

7