

120mm sq.

San Ace 120



General Specifications

- Material Frame: Plastics (Flammability: UL94V-0),
Impeller: Plastics (Flammability: UL94V-1)
- Expected Life Refer to specifications (L10:Survival rate:90% at 60°C ,
rated voltage, and continuously run in a free air state)
- Lead Wire ⊕red ⊖black (Sensor) yellow (Control) brown
- Storage Temperature -30°C to +70°C (Non-condensing)

120×120×38mm (Mass : 360g) **9GV type**

Specifications

The following nos. **have PWM controls, pulse sensors, and ribs.** For ribless, append "1" to the model no.

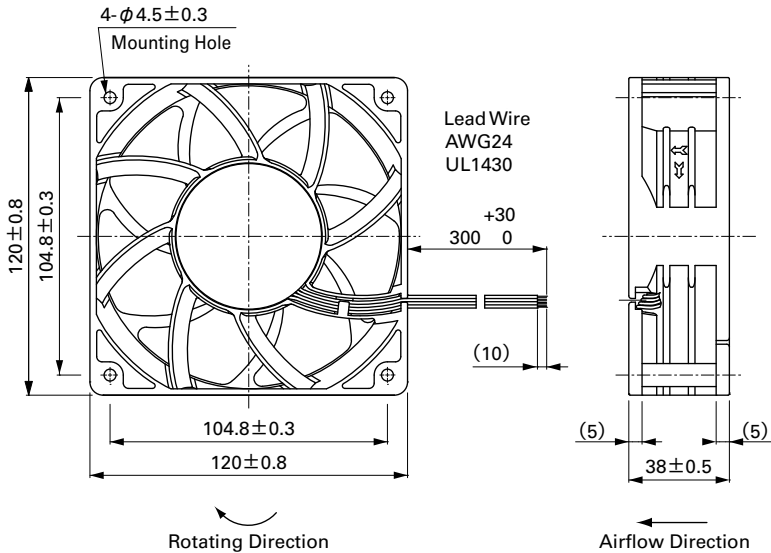
Model No.	Rated Voltage [V]	Operating Voltage Range [V]	PWM duty cycle* [%]	Rated Current [A]	Rated Input [W]	Rated Speed [min ⁻¹]	Max. Airflow [m ³ /min] [CFM]	Max. Static Pressure [Pa] [inchH ₂ O]	SPL [dB(A)]	Operating Temperature [°C]	Expected Life [h]
9GV1212P1J01	12	10.2 to 13.8	100	3.00	36.00	6,400	6.35 224.0	360.0 1.45	64	-20 to +70	40,000/60°C
			0	0.19	2.28	1,500	1.49 52.6	19.8 0.08	33		
9GV1212P1G01	12	10.2 to 13.8	100	2.1	25.2	5,500	5.45 192.6	265 1.06	60		
			0	0.19	2.28	1,500	1.49 52.6	19.8 0.08	33		
9GV1224P1J01 (Note)	24	20.4 to 27.6	100	1.5	36.00	6,400	6.35 224.0	360 1.45	64		
9GV1224P1H01 (Note)			100	0.8	19.2	5,200	5.16 182.3	237 0.95	58		
9GV1248P1J01	48	40.8 to 55.2	100	0.75	36.00	6,400	6.35 224.0	360.0 1.45	64		
			0	0.06	2.88	1,500	1.49 52.6	26.1 0.106	33		

Note: Fan does not rotate when PWM duty cycle is 0%.

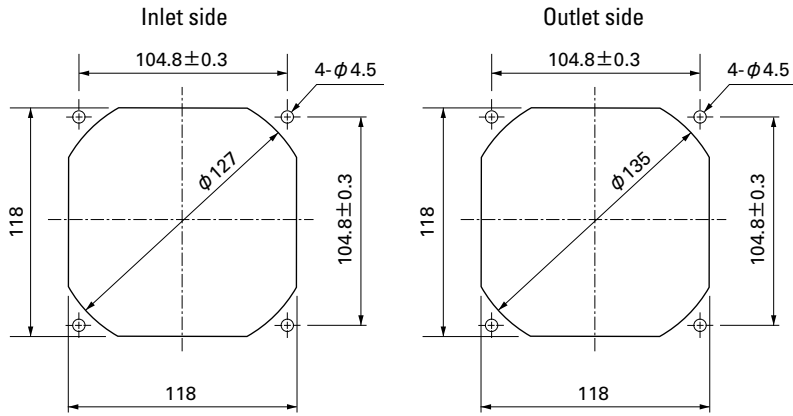
* PWM Frequency : 25kHz

Other sensor specifications are available as options. Please refer to the index (p. 508).

Dimensions (unit: mm) (With ribs)



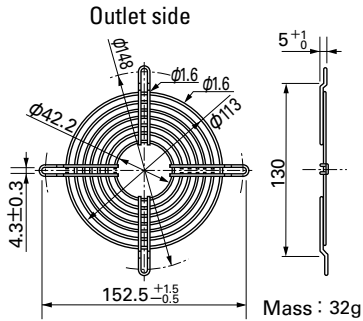
Reference Dimensions of Mounting Holes and Vent Opening (unit: mm)



Options (unit: mm)

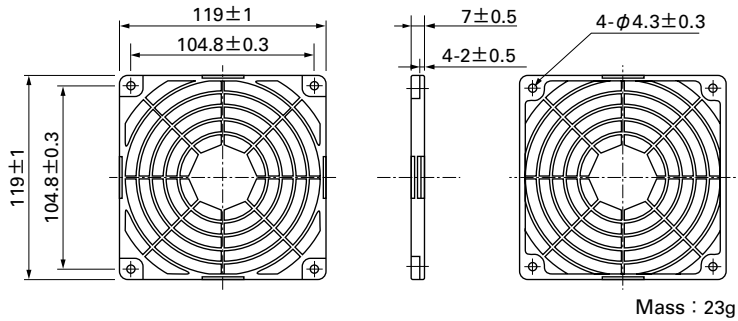
Finger Guards

Model : 109-019C Surface treatment : Nickel-chrome plating (silver) Color
 : 109-019H : Cation electropainting (black)

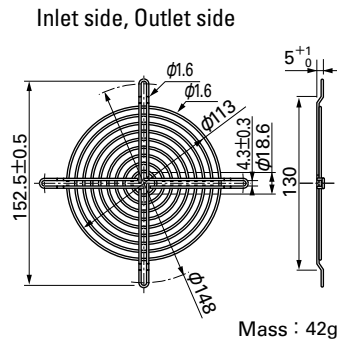


Resin Finger Guards

Model : 109-1000G

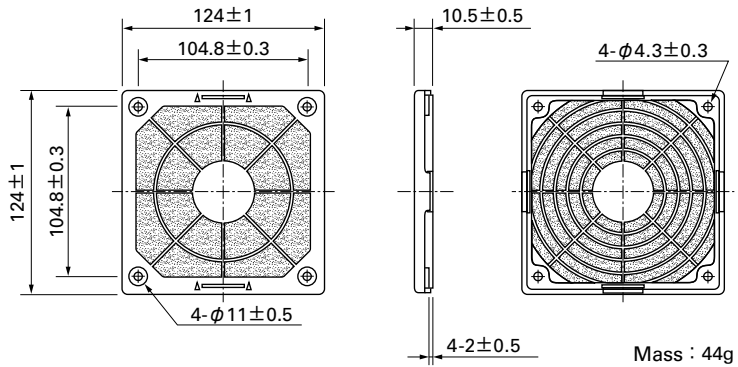


Model : 109-019E Surface treatment : Nickel-chrome plating (silver) Color
 : 109-019K : Cation electropainting (black)



Resin Filter Kits

Model : 109-1000F13 (13PPI), 109-1000F20 (20PPI)
 : 109-1000F30 (30PPI), 109-1000F40 (40PPI)



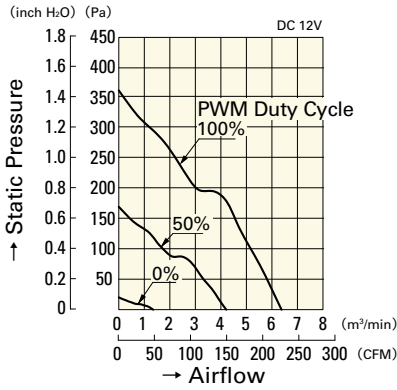
120mm sq.

San Ace 120

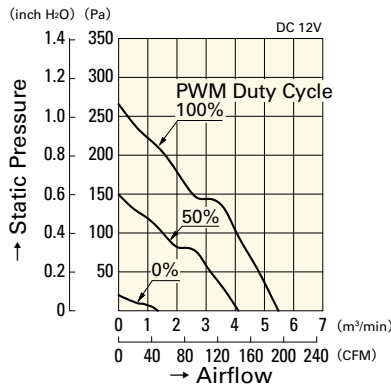
120×120×38mm [Mass : 360g]

Airflow - Static Pressure Characteristics

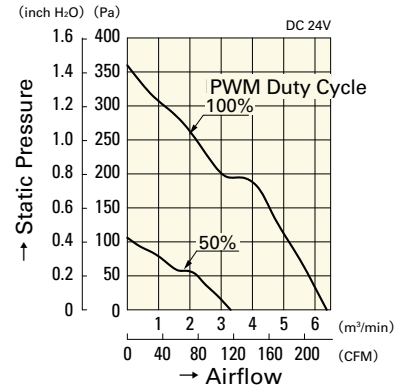
PWM Duty Cycle



9GV1212P1J01

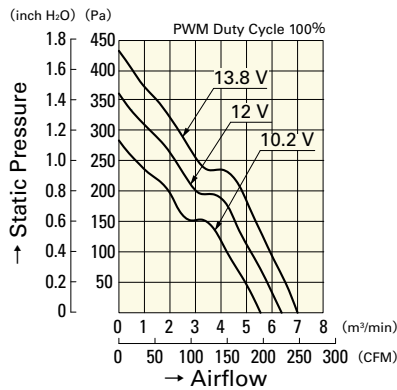


9GV1212P1G01

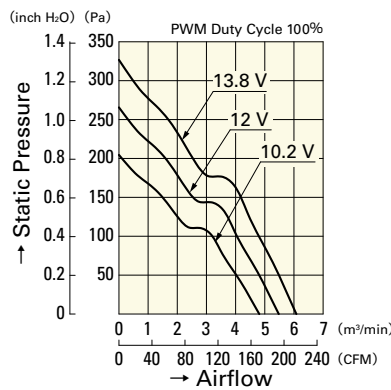


9GV1224P1J01

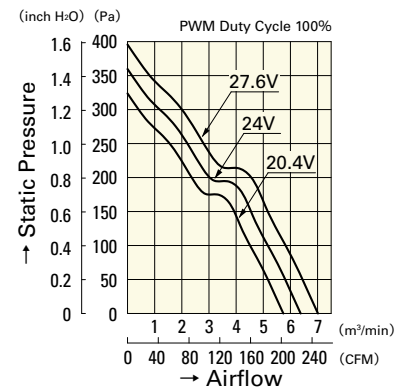
Operating Voltage Range



9GV1212P1J01

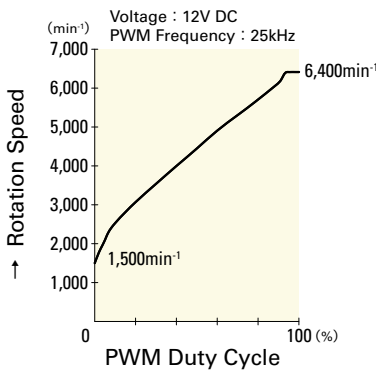


9GV1212P1G01

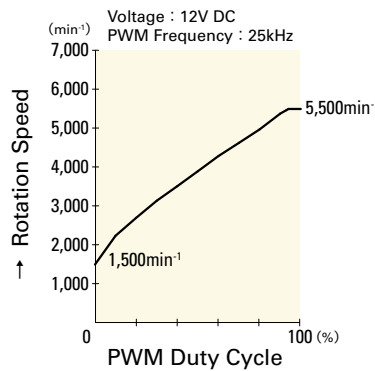


9GV1224P1J01

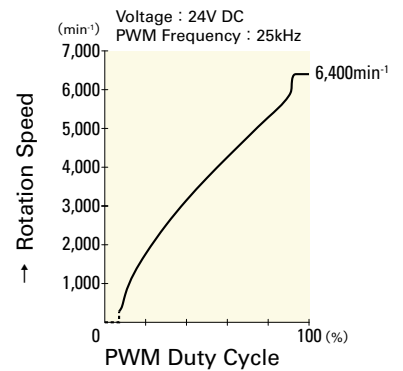
PWM Duty - Speed Characteristics Example



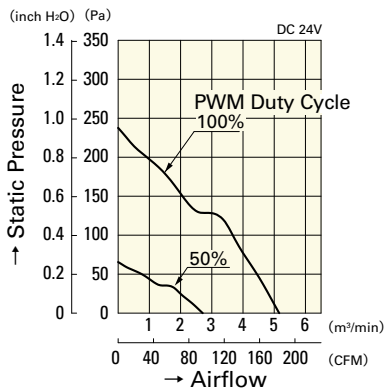
9GV1212P1J01



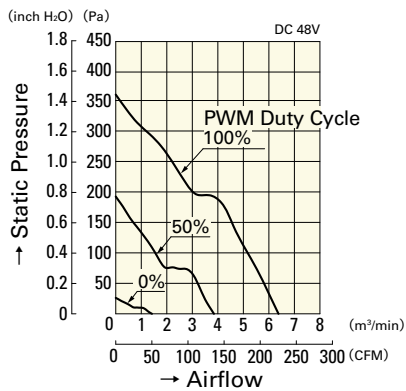
9GV1212P1G01



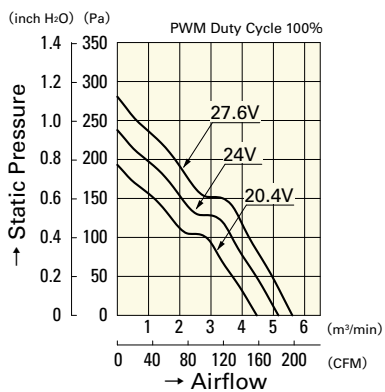
9GV1224P1J01



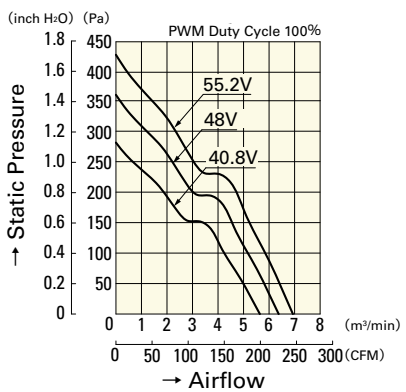
9GV1224P1H01



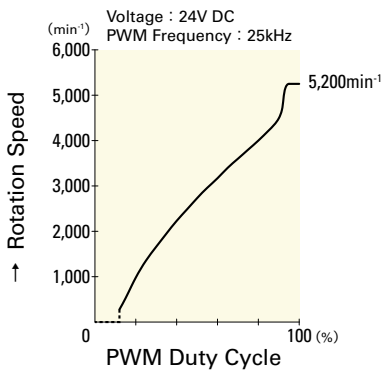
9GV1248P1J01



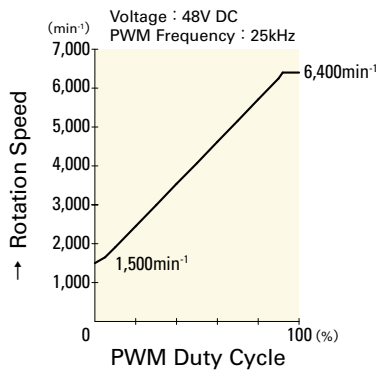
9GV1224P1H01



9GV1248P1J01



9GV1224P1H01



9GV1248P1J01