

4

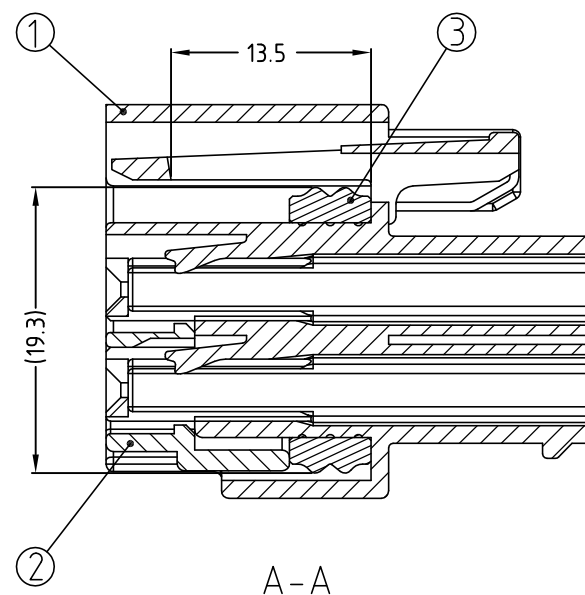
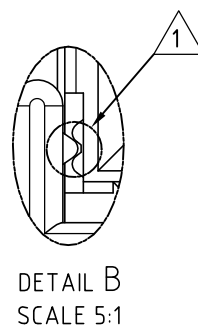
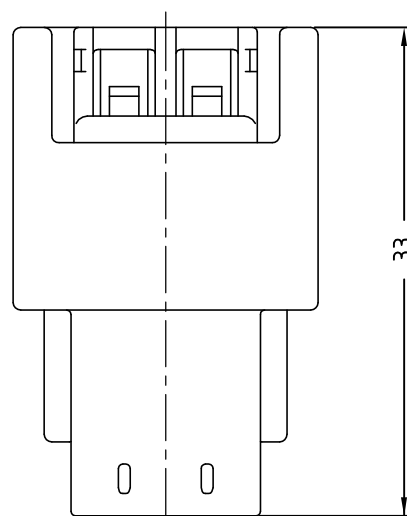
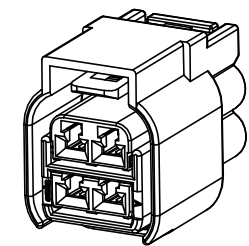
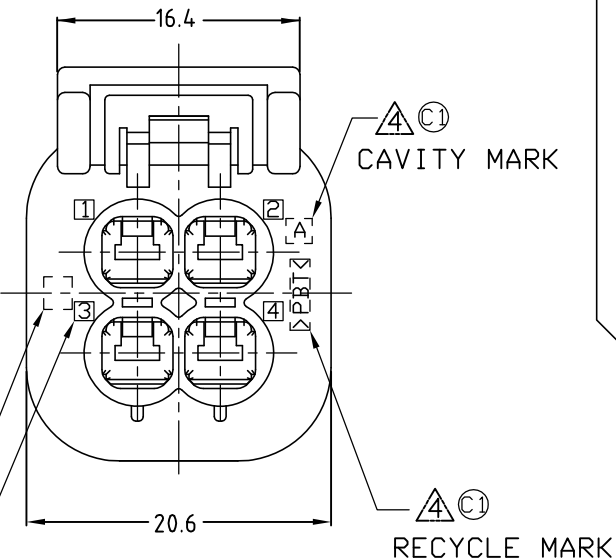
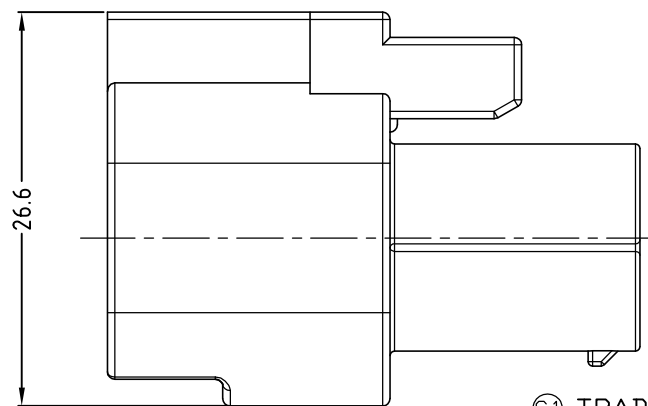
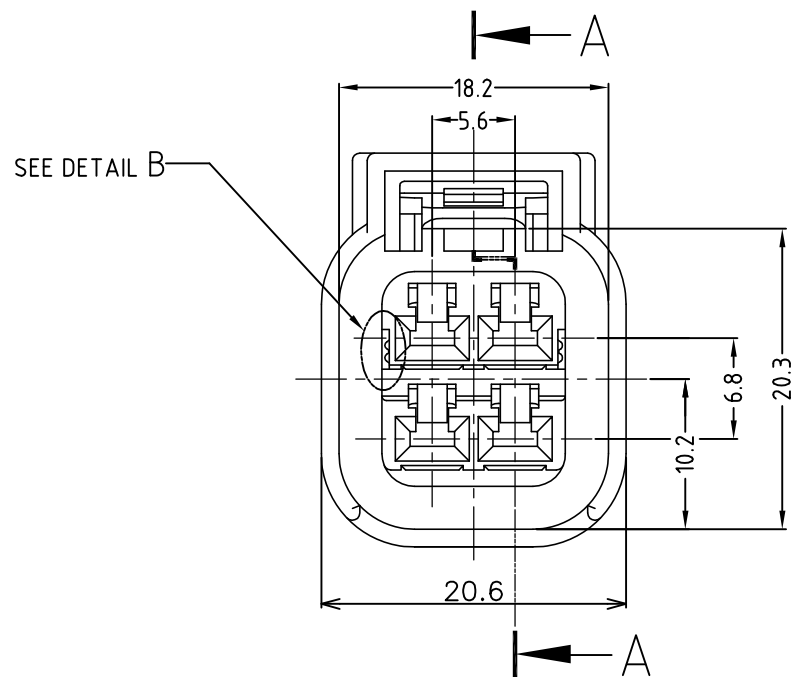
3

2

1

THIS DRAWING IS UNPUBLISHED. RELEASED FOR PUBLICATION  
COPYRIGHT BY TYCO ELECTRONICS CORPORATION. ALL RIGHTS RESERVED.

LOC	DIST	REVISIONS					
		P	LTR	DESCRIPTION	DATE	DWN	APVD
DS	-		A2	REVISED (ECR-06-022051)	14/SEP/06	YH	JK
			B	REVISED (ECR-07-007451)	25/JUL/07	YS	JK
			C	REVISED (ECR-09-013524)	16/JUN/09	KT	HG
			C1	REVISED (ECR-10-017371)	14/SEP/10	SJ	HG



NOTES:

- 1. CONDITION OF DELIVERY: DBL PLATE IN OPEN POSITION
- 2. APPLIED RECEPTACLE CONTACT P/N:

CONTACT	MCP-E TERMINAL	
Part No.	936606-1	936607-1
WIRE SIZE(mm <sup>2</sup> )	1.0 ~ 2.5	0.5 ~ 1.0

- 3. APPLIED MALE CONNECTOR P/N: 936293-2
- 4. ALL CHARACTERS SHALL BE CLEAR AND LEGIBLE
  - TRADE MARK: 1.0 CHARACTERS 0.2 RAISED
  - CAVITY MARK & CURCUIT NO: 1.0 CHARACTERS 0.2 RAISED
  - RECYCLE MARK: 1.0 CHARACTEERS 0.2 RAISED

NO.	COLOR	MATERIAL	DESCRIPTION	QTY	
3	RED ORANGE	SILICON	INNER SEAL	1	1
2	WHITE	PBT-GF10	DBL	1	1
1	GRAY	PBT	4P PLUG HSG	1	
1	BLACK	PBT	4P PLUG HSG		1

ASSY P/N	936254-3	936254-2
----------	----------	----------

THIS DRAWING IS A CONTROLLED DOCUMENT FOR TYCO ELECTRONICS CORPORATION IT IS SUBJECT TO CHANGE AND THE CONTROLLING ENGINEERING ORGANIZATION SHOULD BE CONTACTED FOR THE LATEST REVISION.

DIMENSIONS: mm	TOLERANCES UNLESS OTHERWISE SPECIFIED: 0 <XX<10 ± 0.2 10<XX<30 ± 0.25 30<XX ± 0.3 ANGLES ± 3°
3rd ANGLE PROJECTION	
MATERIAL SEE TABLE	FINISH -

DWN SJ CHOI	Tyco Electronics kyungsan, korea
CHK JW JUNG	
APVD HG CHO	
PRODUCT SPEC -	
APPLICATION SPEC -	NAME MCP-E SEALED 4P PLUG ASSEMBLY
WEIGHT -	SIZE A3
CUSTOMER DRAWING	CAGE CODE 00779
	DRAWING NO 936254
	RESTRICTED TO -
	SCALE 2:1
	SHEET 1 OF 1
	REV C1