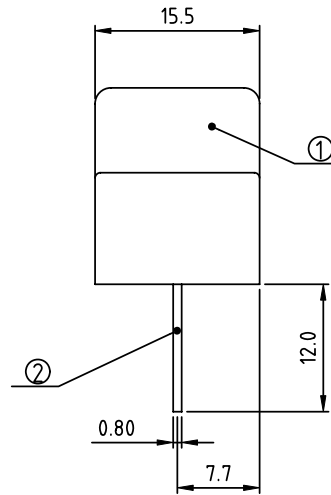
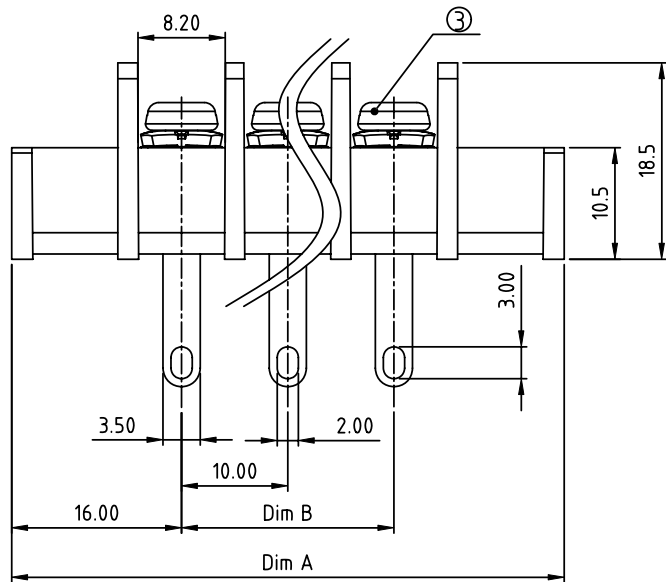
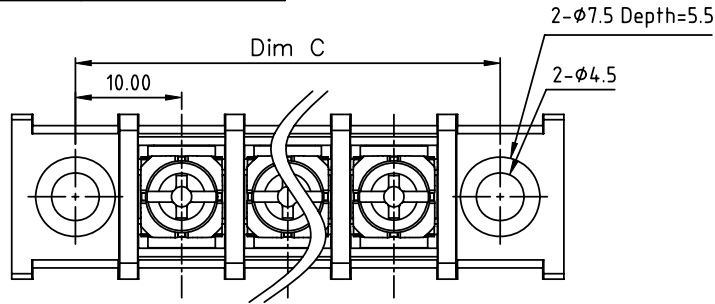


PRODUCT NUMBER	PITCH
YK613xx3x0J0G	10.00 mm



MATERIALS ELECTRICAL  
 RATED VOLTAGE & CURRENT: 300 V, 25 A  
 WITHSTAND VOLTAGE: AC 2000 V/Min  
 INSULATION RESISTANCE: 1000 MΩ OR MORE AT DC 500 V  
 OPERATING TEMPERATURE RANG: -40 °C ~ +115 °C  
 SCREW TORQUE VALUE: 8.8 Lb-In.  
 WIRE RANGE: 22 - 12 AWG  
 1) HOUSING: Thermoplastic, UL 94 V-0 BLACK  
 2) TERMINAL: BRASS, 0.8t  
 3) TERMINAL SCREWS: STEEL, M3.5  
 APPROVAL:

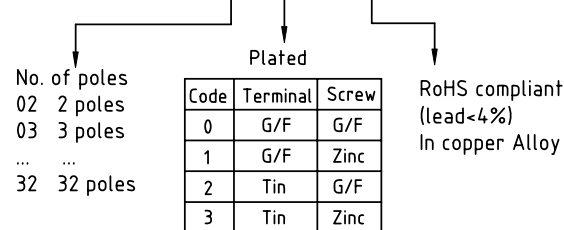
DIMENSION

Dim A	(N+2)×10.0+2.0
Dim B	(N-1)×10.0
Dim C	(N+1)×10.0

N=Number of poles

Poles	Tolerance
2p-5p	±0.20
6p-10p	±0.25
11p-16p	±0.35
17p-24p	±0.40
25p-32p	±0.50

PART NO.: YK 613xx 3 x 0 J0G



mat'l. code		surface ASME Y14.5 ✓	tolerance ASME Y14.5	projection 	product family TERMINAL BLOCK
ltr	ecn no	dr	date	tolerances unless otherwise specified	title TERMINAL BLOCK
				angles 	BARRIER TYPE, WITH FLANGE
				X°±1°	scale MM
				dr EVAN LU 061614	dwg no YK613xx3x0J0G
				enr EVAN LU 061614	sheet 1 of 1
				chr HANKE FENG 061614	size A4
				appd SHI JUN 061614	type CUSTOMER Drawing
sheet index	revision sheet	A	1		